

WTL P/N: WTL7L12426
SEAM SEALED CERAMIC 7.0 X 5MM SMD



Customer	WTL
	Approved by: XoXo Lee
	Checked by: Susan He
	Issued by: Sheryl Xia

SPECIFICATION

维拓国际有限公司

WTL International Limited

Tel: 86-755-8267 7582 Fax: 86-755-82679302

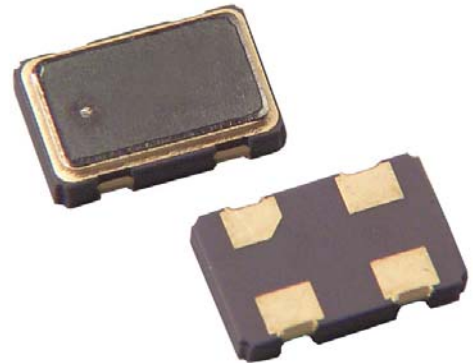
www.wtlcrystals.com email: wtl@wtlcrystals.com

WTL P/N: WTL7L12426
SEAM SEALED CERAMIC 7.0 X 5MM SMD



FEATURE

- Broad frequency range from 1.54Mhz to 150MHz
- Compact and thin ceramic package with metalized surface mounting and automatically loaded
- Reflow solder is possible
- Lower noise and current with reduced power consumption
- Built-in C-MOS IC with tri-state function
- 5V and 3.3V supply model available



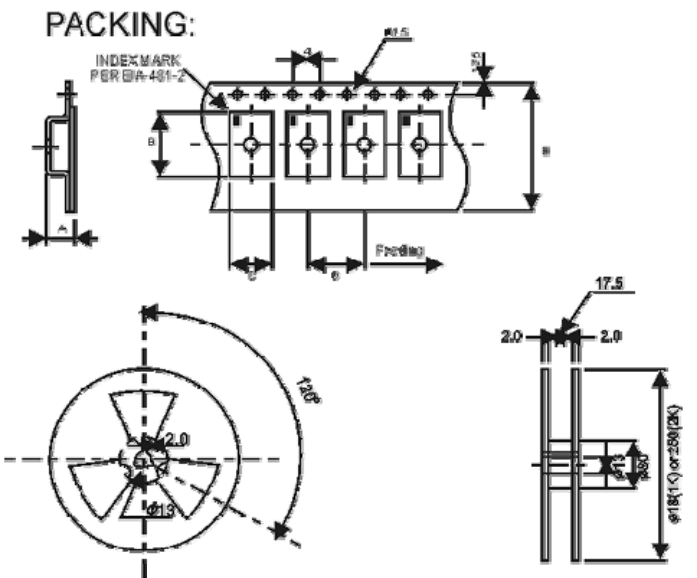
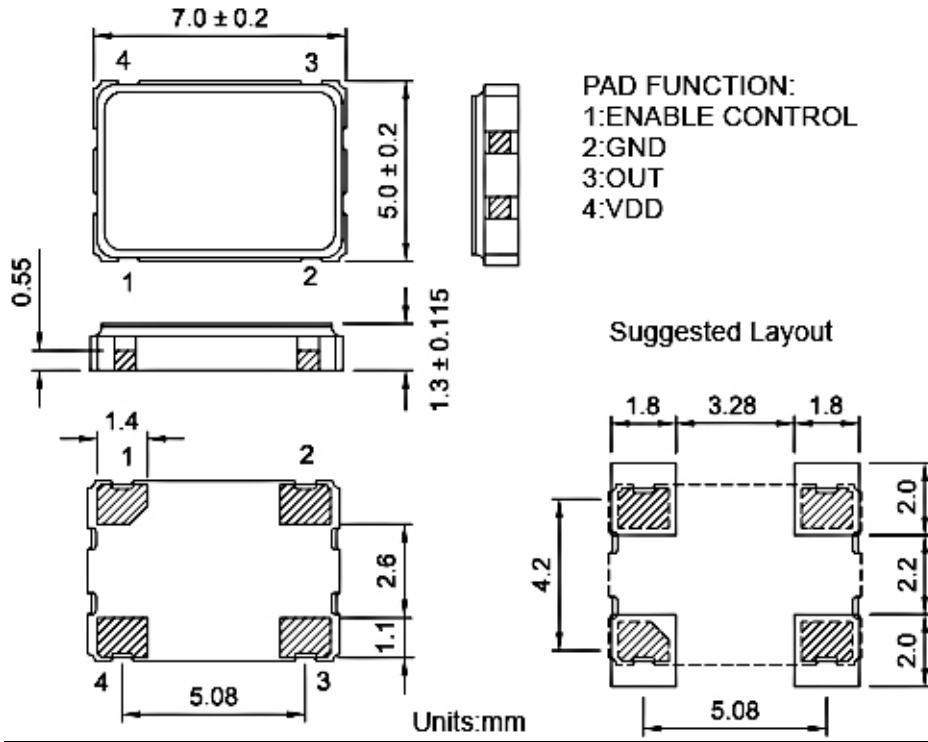
ELECTRICAL SPECIFICATIONS

Parameters	Condition\Model	Value
Fan Out Type		CMOS compatible TTL
Supply Voltage		3.3V
Frequency Range		24.000MHz
Operating Temperature		0+70°C
Input Current	Frequency Range	25mA max
Frequency Stability	All Conditions	±50ppm
Symmetry	AT 1/2 Vdd	40/60%
Output Voltage	Vol(max)	0.33V
	VoH(min)	2.97V
Rise/Fall Time	AT 0.1Vdd~0.9Vdd	10ns max
Driving Ability	CMOS load max	15pF
Start-up Time	Load RANGE	10ms max(15pF)
E/D Function	#1 OPEN	PIN #3 ACTIVE
	#1 >=2.2V	PIN #3 ACTIVE
	#1 <=0.8V	PIN #3 INACTIVE
PAD Connection	PIN#1 E/D	PIN#3 OUT
	PIN#2 GND	PIN#4 Vdd

WTL P/N: WTL7L12426
SEAM SEALED CERAMIC 7.0 X 5MM SMD



MARKING AND DIMENSIONS



A	B	C	D	E	Pcs/Reel
1.3	6.4	3.9	8.0	16	1K or 2K

- REMARK:**
- 230 mm (9.05) minimum leader which consist of carrier and / or cover tape followed by a minimum of 160 mm (6.3) of empty carrier tape sealed with cover tape.
 - 160 mm (6.3) minimum trailer of empty carrier tape sealed with cover tape.