

PRODUCT NUMBER

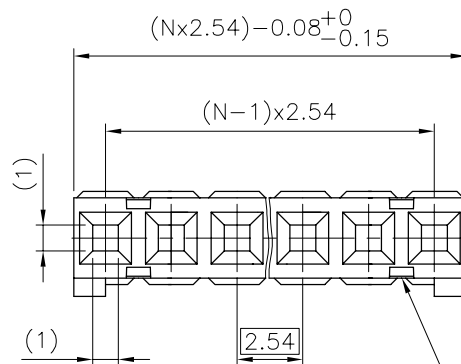
65240-0XX

NUMBER OF CAVITIES: 02 TO 36.

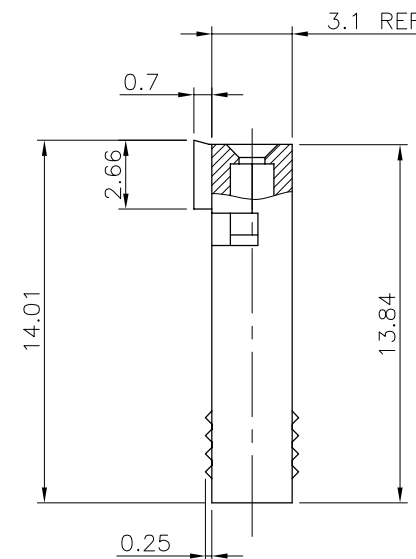
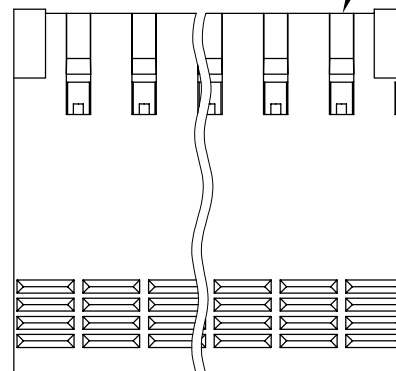
PLASTIC MATERIAL.

NOTES:

- 1 - HOUSING MAT'L: THERMOPLASTIC GLASS FILLED FLAME RETARDANT PER UL 94 V-0 COLOR: BLUE.
- 2 - OVER DASH -007 ONLY FIRST AND LAST THREE POSITIONS MUST HAVE GROOVES ON TOW SIDES.
- 3 - PRODUCT PACKED IN PLASTIC BAG.
- 4 - FOR TECHNICAL APPLICATION SEE TA317.



SEE NOTE 2



Tous droits r serv s. Reproduction ou utilisation sans autorisation est formellement interdite.
 All rights strictly reserved. Reproduction or use in third parties is any form prohibited without the written authority from the proprietor.
 Copyright FCI Electronics S.A.



mat'l. code SEE NOTE			tolerances unless otherwise specified			CUSTOMER COPY		ELECTRONICS www.fciconnect.com	
ltr	ecn no	dr	date	linear		projection	title		
G	F10103	GCO	01.01.05				CtW HOUSING		
H	F20548	DLE	02.10.08	angles			product family		code
				dr	G CORBOZ		01.01.05	DUBOX	
				engr	P NIZZI	01.01.05	size		dwg no
				chr	JF NOTTEAU	01.01.05	A3		65240
				app	P NZ	01.01.05	scale		1 of 1
sheet		revision	H						
index		sheet	1						