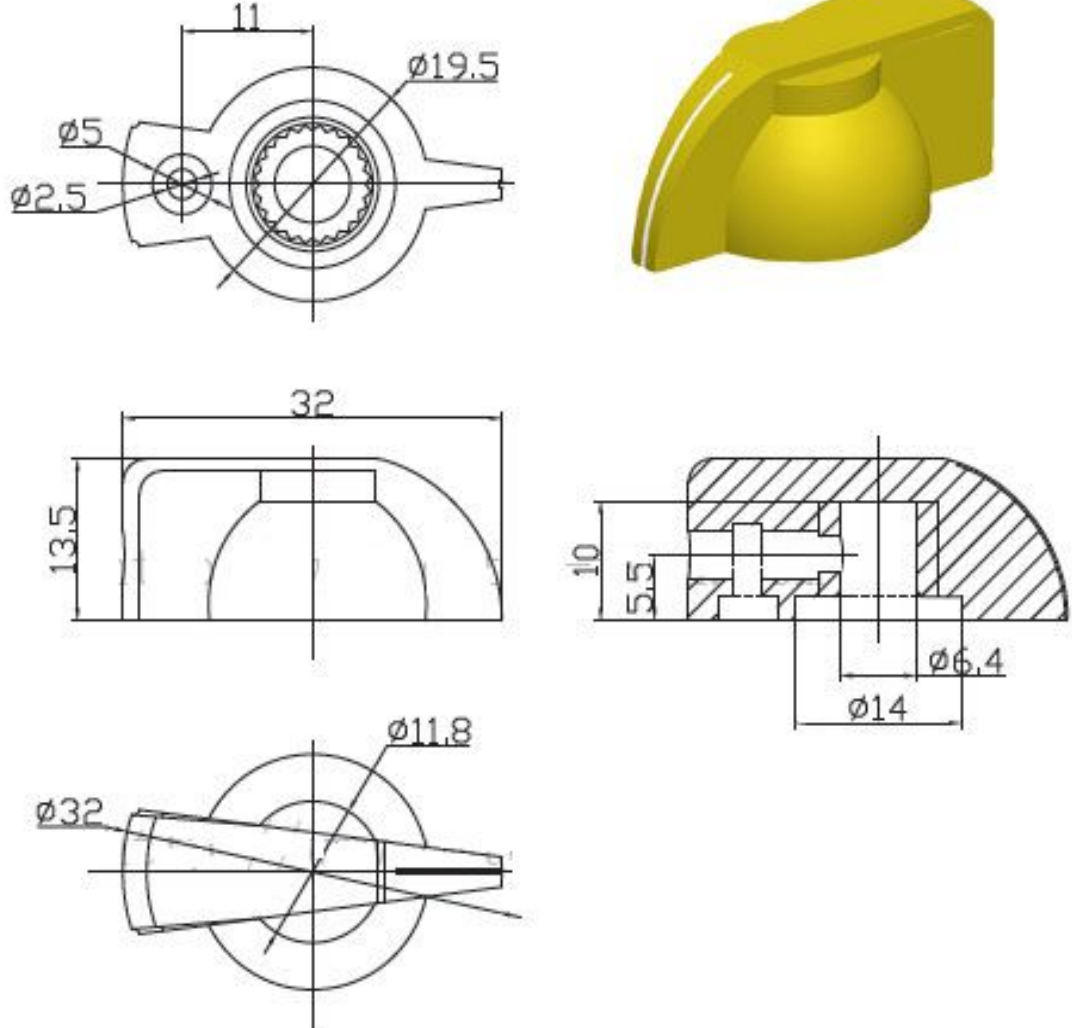


Part NO.	G 220x	Drawing	
Dimensions	32x14mm		
Material	Copper+ABS		
Color	Black body White line		
Shaft Hole	6.35 shaft hole		
