

YR SERIES (Power Entry Module Filters)



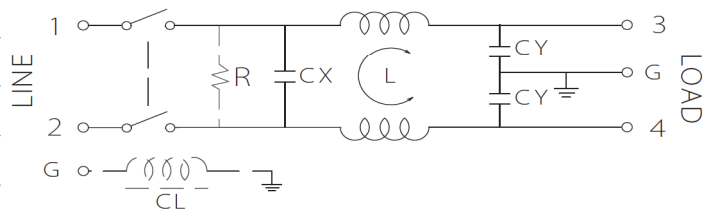
Features

- The YR series filter integrates an IEC inlet, filter and switch with excellent noise suppression performance and compact size.
- It is designed in snap-in mounting for easy installation.
- The rated current can be offered up to 10 amps.
- All parts are approved by UL ,CUL, VDE, CQC and CE
- Applications comprising Electrical and electronic equipment, Single-phase power supplies ,Test and measurement equipment, Medical equipment
- Custom-specific versions are available on request

Technical Specification

Rated voltage	125/250VAC
Rated currents	1 to 10A
Operating frequency	50/60Hz
Hipot rating(Line-to-line)	1450VDC
Hipot rating(Line-to-ground)	2250VDC
Operating temperature	-25~+85°C
Safety compliance	UL, CUL, VDE, CQC, CE

Typical electrical schematic



*With optional ground choke and resistor.
R: 1M ohm
CL: 100 μ H

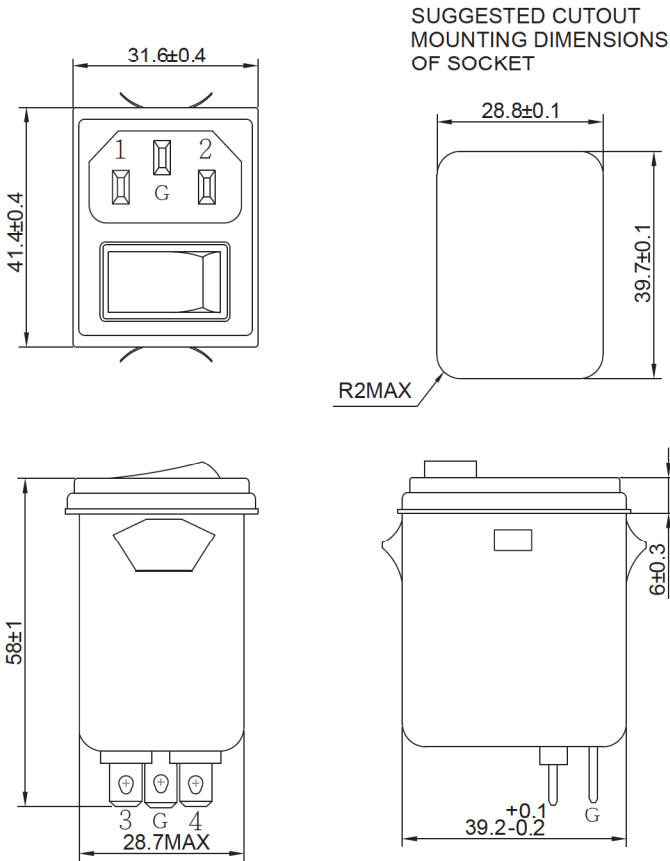
Filter Selection Table

Part No.	Rated Current (A)	Inductance L(mH)	Capacitance CX(μ F)	Capacitance CY(pF)	Output connections
YR01A1	1	3.7	0.1	3300	Fast-on terminal
YR03A1	3	1.8	0.1	3300	
YR06A1	6	0.7	0.1	3300	
YR10A1	10	0.3	0.1	3300	
YR01A3	1	3.7	0.1	3300	Solder lug terminal
YR03A3	3	1.8	0.1	3300	
YR06A3	6	0.7	0.1	3300	
YR10A3	10	0.3	0.1	3300	

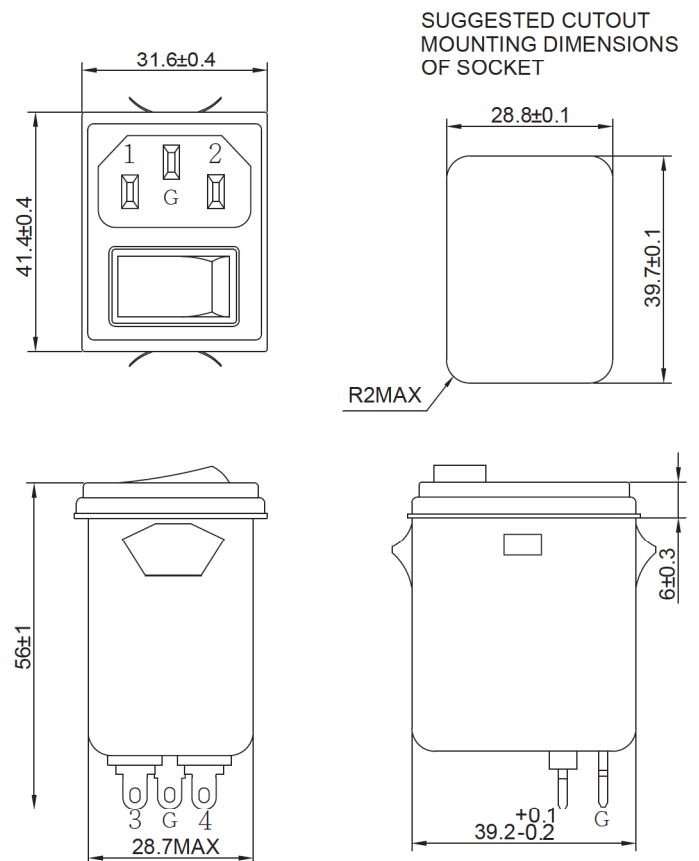
*Please contact us for other parts or spec.

Physical Dimensions: (mm)

YR-A1



YR-A3



Typical filter attenuation (Common mode — Normal mode →)

