

REV.	DESCRIPTION	DRAWN	CHECKED	APPROVED
A	NEW RELEASE	JLZ 10/07/14'		

Notes:

1.Material:

- 1.1. Housing: High Temperature LCP UL 94V-0 Color of Black.
- 1.2. Contacts: Copper Alloy.
- 1.3. Shell: Stainless Steel.

2.Finish:

- 2.1. Contact Area: Gold Over Nickel.
- 2.2. Solder Area: Matte Tin.

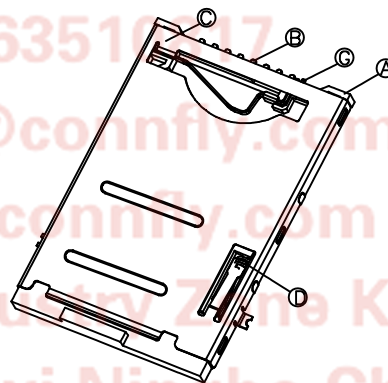
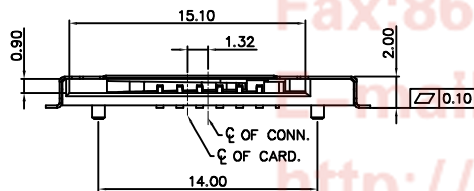
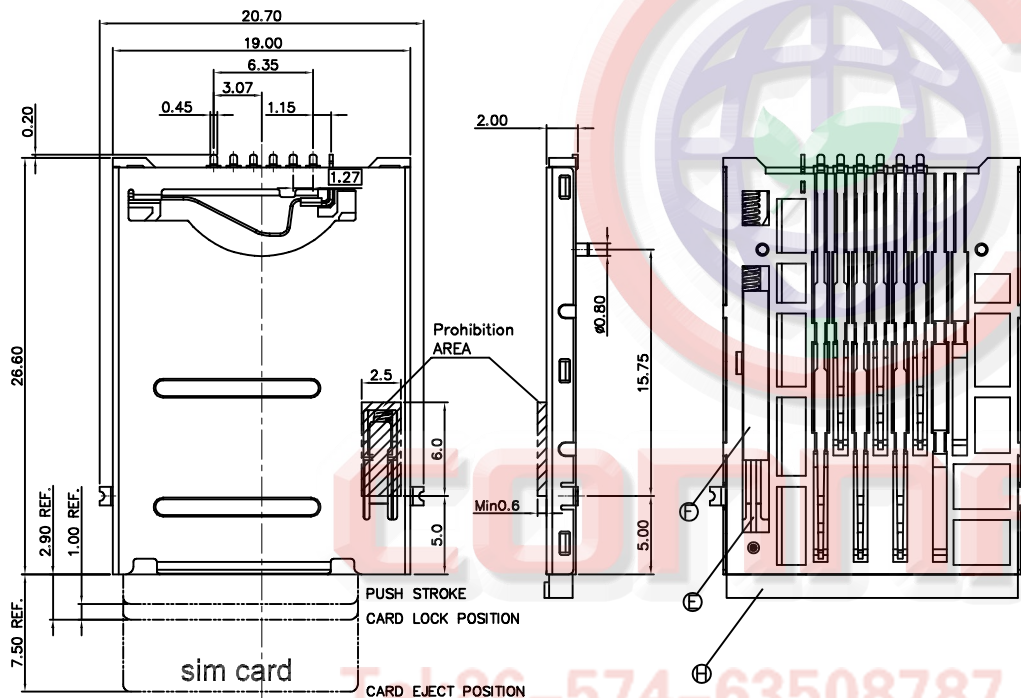
3.Specifications:

- 3.1. Operating Temperature:  $-40^{\circ}\text{C} \sim +105^{\circ}\text{C}$
- 3.2. Insulating Resistance:  $100\text{M}\Omega$  Min.
- 3.3. Contact Resistance:  $50\text{m}\Omega$  Max.
- 3.4. Withstanding Voltage:  $500\text{V AC}$  1min.
- 3.5. Voltage Rating:  $30\text{V AC/DC}$ .
- 3.6. Current Rating:  $1.0\text{A}$ .

4.Product Number Code:

DS1138-04 - XX X X X X X X

- Packing Type  
R: Tape On Reel
- Shell Materials  
S: Stainless
- Housing color  
B: Black
- Contact Plating  
4: Selective 3u" gold
- Mounting type  
S: SMT type
- Connector type  
S: Socket
- No. of contacts  
06:6pin



ITEM	PART NAME	MATERIAL	Q'TY
(A)	DUMMY CARD	HIGH TEMP, PLASTIC	1 PCS
(B)	CD TERMINAL	COPPER ALLOY	1 PCS
(C)	SLIDER	HIGH TEMP, PLASTIC	1 PCS
(D)	HOOK	STAINLESS STEEL	1 PCS
(E)	SHELL	SWP	1 PCS
(F)	SPRING	STAINLESS STEEL	1 PCS
(G)	TREMINAL	COPPER ALLOY	6 PCS
(H)	HOUSING	HIGH TEMP. PLASTIC	1 PCS

GENERAL TOLERANCE		ANGLE TOLERANCE	
X.	$\pm 0.60$	X.	$\pm 5^{\circ}$
.X	$\pm 0.38$	.X	$\pm 3^{\circ}$
.XX	$\pm 0.25$	.XX	$\pm 2^{\circ}$

DRAWING TYPE	CUSTOMER		
SCALE	1:1	SHEET	1 OF 2
DRAWING NO.	C-DS1138-04 SERIES		

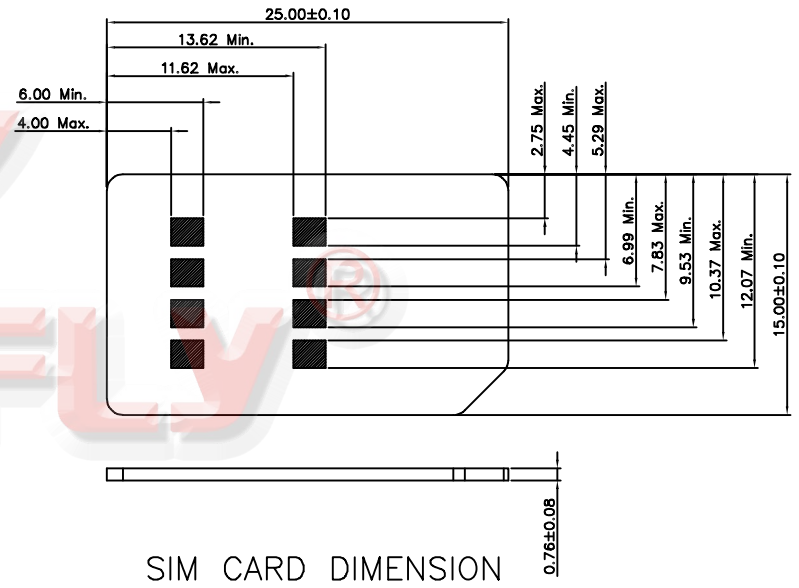
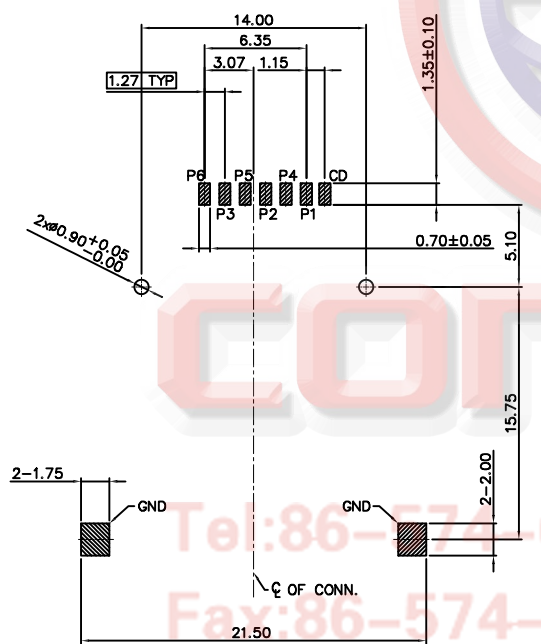
PROJECTION	TITLE
	1.27mm SIM Card H=2.0mm 6P Push Push W/ Post
UNITS	mm
SHEET SIZE	A4
SERIES	DS1138-04 SERIES



晨翔电子有限公司

CONNFLY® CONNFLY ELECTRONIC CO., LTD

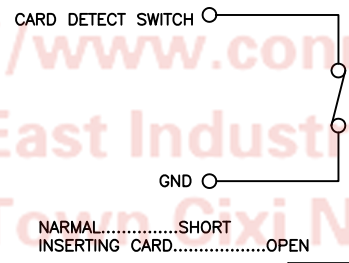
REV.	DESCRIPTION	DRAWN	CHECKED	APPROVED
A	NEW RELEASE	JLZ 10/07/14'		



SIM CARD DIMENSION

PIN ASSIGNMENTS

CONNECTOR TERMINAL NO.	PIN NO.
PIN 1	VCC: PWR SIGNAL AND GND
PIN 2	RST; RESET SIGNAL
PIN 3	CLK: CLOCKING SIGNAL
PIN 4	GND: PWR SIGNAL AND GND
PIN 5	VPP: PROGRAMMING VOLTAGE
PIN 6	I/O: SERIAL DATA INPUT/OUTPUT



Tel: 86-574-63508787  
 Fax: 86-574-63510817  
 E-mail: sale@connfly.com  
 http://www.connfly.com  
 Add: East Industry Zone KuangYan  
 Town Cixi Ningbo China  
 P.C: 315333

GENERAL TOLERANCE	ANGLE TOLERANCE
X. ±0.60	X. ±5°
.X ±0.38	.X ±3°
.XX ±0.25	.XX ±2°
DRAWING TYPE	CUSTOMER
SCALE	1:1 SHEET 2 OF 2
DRAWING NO.	C-DS1138-04 SERIES

PROJECTION		TITLE	1.27mm SIM Card H=2.0mm
UNITS	mm		6P Push Push W/ Post
SHEET SIZE	A4	SERIES	DS1138-04 SERIES

晨翔电子有限公司  
**CONNFLY® CONNFLY ELECTRONIC CO., LTD**