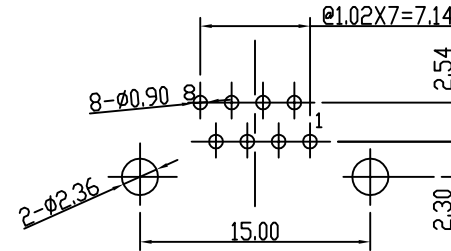
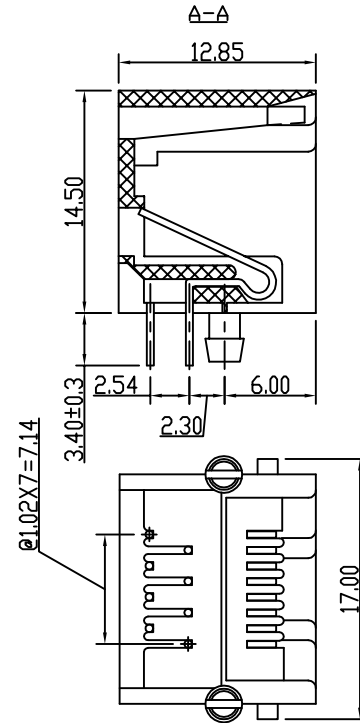
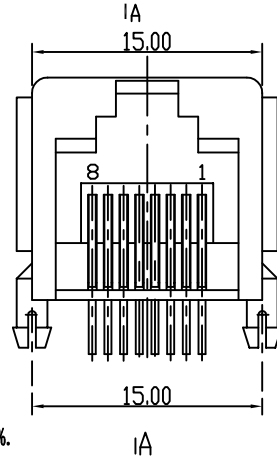


REV. 版本	ECN NO. 变更说明	DATE 日期
01-04	ADD P/N	
05	ADD P/N	09.08.17
06	ADD P/N	10.04.01



PC BOARD LAYOUT  
THICKNESS=1.6MM

**机构特性:**

1. 塑壳材质: PBT;
2. 圆针材质: 磷青铜,  $\phi 0.46\text{mm}$ ;
3. 圆针电镀: 镍底, 表面全部镀金;
4. 插入/拔出力: 30N Max.
5. 配合强度: 50N 60S $\pm 5$ S.
6. 可靠性: 最少750次插拔.

**环境特性:**

1. 储存温度:  $-40^{\circ}\text{C}\sim+85^{\circ}\text{C}$  相对湿度 $<80\%$ .
2. 工作温度:  $-40^{\circ}\text{C}\sim+85^{\circ}\text{C}$

**电气特性:**

1. 额定电压: 125 VAC RMS
2. 额定电流: 1.5 AMP
3. 接触电阻: 20 m $\Omega$  MAX.
4. 绝缘电阻: 1000 M $\Omega$  MIN. @500 VDC
5. 耐压强度: 1000 VAC RMS 60Hz, 1分钟

**NOTES:**

**ELECTRICAL:**

1. VOLTAGE RATING : 125 VAC RMS.
2. CURRENT RATING : 1.5 AMP.
3. CONTACT RESISTANCE : 20 MILLIOHMS MAX.
4. INSULATION RESISTANCE : 1000 MEGOHMS MIN @ 500 VDC.
5. DIELECTRIC STRENGTH : 1000 VAC RMS 60Hz, 1MIN.

**MECHANICAL:**

1. HOUSING MATERIAL : PBT .
2. CONTACT MATERIAL : PHOSPHOR BRONZE  $\phi 0.46\text{mm}$ .
3. CONTACT PLATING : GOLD PLATING OVER NICKEL.
4. MATING/UNMATING FORCE : 30N Max.
5. RETENTION STRENGTH : 50N FOR 60S $\pm 5$ S. .
6. OPERATING LIFE : 750 CYCLES MIN.

**ENVIRONMENTAL:**

1. STORAGE :  $-40^{\circ}\text{C}\sim+85^{\circ}\text{C}$  RELATIVE HUMIDITY $<80\%$
  2. OPERATION :  $-40^{\circ}\text{C}\sim+85^{\circ}\text{C}$
- MATES WITH MODULAR PLUG CONFORMING TO FCC PART 68, SUBPART F.  
ROHS PART NUMBER:

**材质颜色**

TIPTOP PART NUMBER	ROHS PART NUMBER	DESCRIPTION	CONTACT PLATING GOLD	LOGO	MATERIAL COLOR
△ 10218488A011	B551N-88GF-M011	RJ45 5521 5521 8P8C WITH EAR JACK	G/F	NO LOGO	PBT BLACK 黑
△ 10218488C013	B551N-8806-M006	RJ45 5521 5521 8P8C WITH EAR JACK	6u"	NO LOGO	PBT GRAY 灰
△ N/A	B551N-8830-M011	RJ45 5521 5521 8P8C WITH EAR JACK	30u"	NO LOGO	PBT BLACK 黑
△ 10218488B007	B551N-8803-M011	RJ45 5521 5521 8P8C WITH EAR JACK	3u"	NO LOGO	PBT BLACK 黑
△ 10218482B003	B551N-8203-M005	RJ45 5521 5521 8P2C(4.5) WITH EAR JACK	3u"	NO LOGO	PBT GRAY 冷灰
△ 10218488C010	B551N-8806-M011	RJ45 5521 5521 8P8C WITH EAR JACK	6u"	NO LOGO	PBT BLACK 黑
△ 10218488G007	B551N-8850-M011	RJ45 5521 5521 8P8C WITH EAR JACK	50u"	NO LOGO	PBT BLACK 黑
△ 10218488A014	B551N-88GF-M014	RJ45 5521 5521 8P8C WITH EAR JACK	G/F	NO LOGO	PBT GRAY 灰

5521 8P 有耳 插座

RoHS Compliant

<b>CZT</b> ® 温州意华接插件股份有限公司 WENZHOU YIHUA CONNECTOR CO., LTD		TOLERANCES 公差 .0 $\pm$ 0.25 .00 $\pm$ 0.20 .000 $\pm$ 0.10 ANGLES $\pm$ 0.5	Material: 材质 SEE NOTE	Designed: 设计 刘攀	NAME: 名称 RJ45 5521 5521 8P WITH EAR JACK
第一视角	SCALE 比例 A4 SIZE 1:1	UNIT 单位 mm	Finish: 电镀 SEE NOTE	Checked: 审核	DWG NO: 图号 E55QWY-1077-21
	CUSTOMER: 客户 N/A	MODEL NO: 料号 N/A	SHEET 第 1 页 共 1 页	Approved: 核准	PART NO: 料号 SEE NOTE

REV. 版本  
06