

SMALL SIGNAL DIODE



1N4149
DO-35
Axial Lead
Plastic Package

Colour Band Denotes Cathode

ABSOLUTE MAXIMUM RATINGS ($T_A = 25^\circ\text{C}$, unless otherwise noted)

PARAMETER	SYMBOL	VALUE	UNIT
Maximum Repetitive Reverse Voltage	V_{RRM}	100	V
Average Rectified Forward Current	$I_{F(AV)}$	500	mA
Non-repetitive Peak Forward Surge Current	I_{FSM}	1.0	A
Pulse Width (t_p) = 1.0 s		4.0	A
Storage Temperature Range	T_{STG}	-65 to 200	$^\circ\text{C}$
Operating Junction Temperature	T_J	175	$^\circ\text{C}$

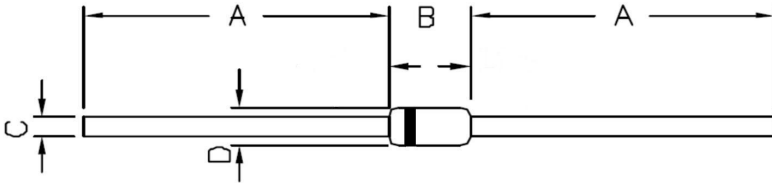
THERMAL CHARACTERISTICS

PARAMETER	SYMBOL	VALUE	UNIT
Power Dissipation	P_D	500	mW
Thermal Resistance, Junction to Ambient	$R_{\theta JA}$	300	$^\circ\text{C/W}$

ELECTRICAL CHARACTERISTICS ($T_C = 25^\circ\text{C}$ unless otherwise noted)

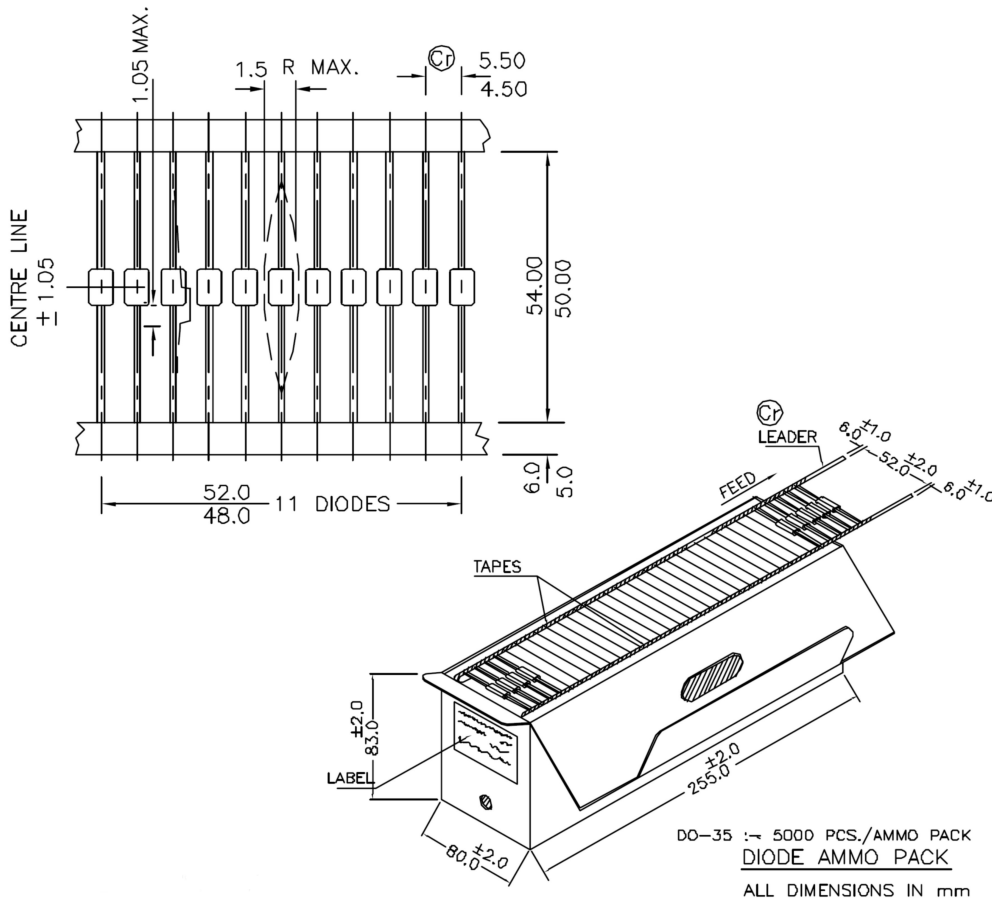
PARAMETER	SYMBOL	CONDITIONS	MIN	MAX	UNITS
Breakdown Voltage	V_R	$I_R = 5\mu\text{A}$	75		V
		$I_R = 100\mu\text{A}$	100		V
Forward Current	V_F	$I_F = 10\text{mA}$		1.0	V
Reverse Leakage	I_R	$V_R = 20\text{V}$		25	nA
		$V_R = 20\text{V}, T_A = 150^\circ\text{C}$		50	μA
Total Capacitance	C_T	$V_R = 0, f = 1.0\text{Mhz}$		2	pF
Reverse Recovery Time	t_{rr}	$I_F = 10\text{mA}, V_R = 6.0\text{V}$ $R_L = 100\Omega, I_{rr} = 1\text{mA}$		4	ns

DO-35 Package outline and Dimensions



Dim	Min (mm)	Max (mm)
A	27.5	-
B	-	3.9
C	-	0.5
D	-	1.9

DO-35 , 52mm Taping Specification



DO-35 :- 5000 PCS./AMMO PACK
 DIODE AMMO PACK
 ALL DIMENSIONS IN mm

PACKAGE	STANDARD PACK		INNER CARTON BOX		OUTER CARTON BOX		
	Details	Net Weight / Qty	Size	Qty	Size	Qty	Gr Wt
DO-35 T&A	5K / ammon box	0.88Kg / 5K pcs	10" x 3.5" x 3.5"	5 K	12.7" X 12.7" X 20"	125 K	25 Kgs



Continental Device India Pvt.Limited
An ISO/TS 16949, ISO 9001 and ISO 14001 Certified Company



Customer Notes

Component Disposal Instructions

1. CDIL Semiconductor Devices are RoHS compliant, customers are requested to please dispose as per prevailing Environmental Legislation of their Country.
2. In Europe, please dispose as per EU Directive 2002/96/EC on Waste Electrical and Electronic Equipment (WEEE).

DISCLAIMER

The product information and the selection guides facilitate selection of the CDIL's Semiconductor Device(s) best suited for application in your product(s) as per your requirement. It is recommended that you completely review our Data Sheet(s) so as to confirm that the Device(s) meet functionality parameters for your application. The information furnished in the Data Sheet and on the CDIL Web Site/CD is believed to be accurate and reliable. CDIL however, does not assume responsibility for inaccuracies or incomplete information. Furthermore, CDIL does not assume liability whatsoever, arising out of the application or use of any CDIL product; neither does it convey any license under its patent rights nor rights of others. These products are not designed for use in life saving/support appliances or systems. CDIL customers selling these products (either as individual Semiconductor Devices or incorporated in their end products), in any life saving/support appliances or systems or applications do so at their own risk and CDIL will not be responsible for any damages resulting from such sale(s).

CDIL strives for continuous improvement and reserves the right to change the specifications of its products without prior notice.



CDIL is a registered Trademark of
Continental Device India Pvt. Limited
C-120 Naraina Industrial Area, New Delhi 110 028, India.
Telephone + 91-11-2579 6150, 4141 1112 Fax + 91-11-2579 5290, 4141 1119
email@cdil.com www.cdil.com
CIN No. U32109DL1964PLC004291