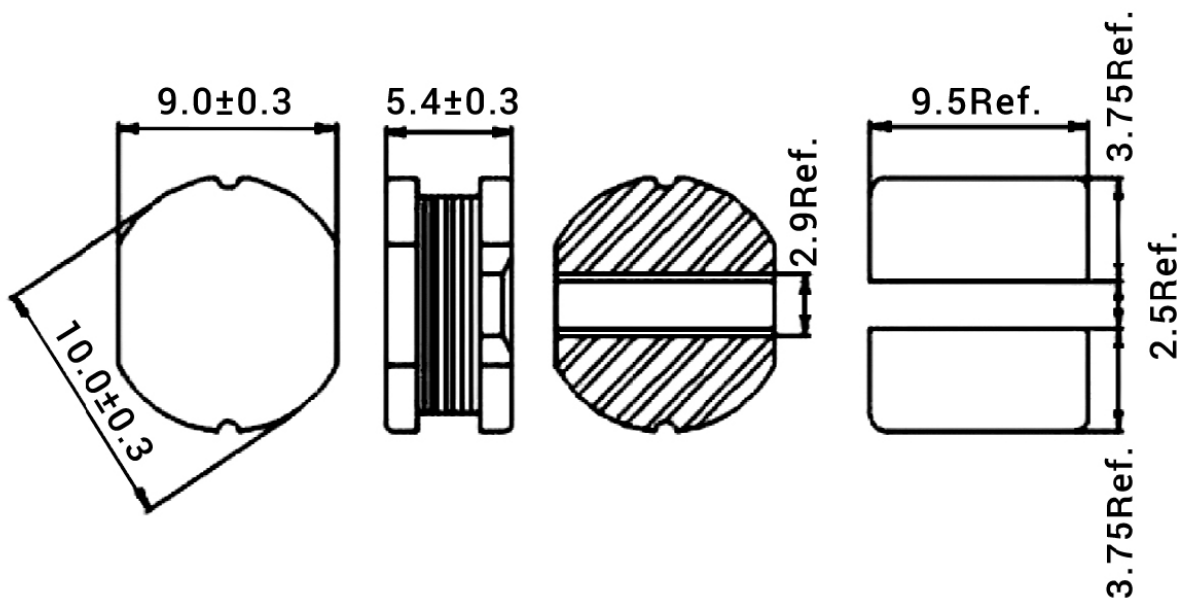
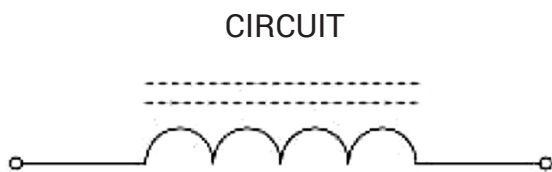


CONFIGURATION & DIMENSIONS (in mm)

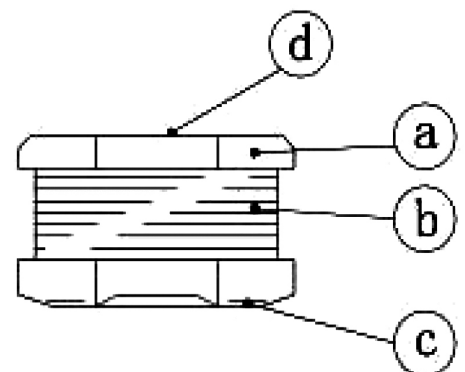


SCHEMATIC DIAGRAM:



MATERIALS:

- a) Core: Ferrite DR core
- b) Wire: Enamelled copper wire
- c) Terminal: Ag / Ni / Sn
- d) Remark: Products comply with RoHS' requirements



| Symbol | Tolerance (uH) | Test Frequency (kHz/v) | DCR Max (Ω) | Isat (A) |
|-----------------|----------------|------------------------|----------------------|----------|
| D DLG1005-001.0 | 1.0 | 100/0.25 | 0.008 | 8.45 |
| D DLG1005-001.4 | 1.4 | 100/0.25 | 0.014 | 6.8 |
| D DLG1005-001.5 | 1.5 | 100/0.25 | 0.014 | 6.8 |
| D DLG1005-001.8 | 1.8 | 100/0.25 | 0.016 | 6.5 |
| D DLG1005-002.2 | 2.2 | 100/0.25 | 0.017 | 6.0 |
| D DLG1005-002.7 | 2.7 | 100/0.25 | 0.018 | 5.5 |
| D DLG1005-003.3 | 3.3 | 100/0.25 | 0.02 | 5.0 |
| D DLG1005-004.7 | 4.7 | 100/0.25 | 0.022 | 4.6 |
| D DLG1005-005.6 | 5.6 | 100/0.25 | 0.024 | 4.0 |
| D DLG1005-006.8 | 6.8 | 100/0.25 | 0.026 | 3.6 |
| D DLG1005-008.2 | 8.2 | 100/0.25 | 0.031 | 3.2 |
| D DLG1005-010.0 | 10 | 1.0/0.25 | 0.034 | 2.58 |
| D DLG1005-012.0 | 12 | 1.0/0.25 | 0.040 | 2.44 |
| D DLG1005-015.0 | 15 | 1.0/0.25 | 0.046 | 2.26 |
| D DLG1005-018.0 | 18 | 1.0/0.25 | 0.048 | 2.13 |
| D DLG1005-022.0 | 22 | 1.0/0.25 | 0.07 | 1.93 |
| D DLG1005-027.0 | 27 | 1.0/0.25 | 0.084 | 1.74 |
| D DLG1005-033.0 | 33 | 1.0/0.25 | 0.092 | 1.46 |
| D DLG1005-039.0 | 39 | 1.0/0.25 | 0.125 | 1.36 |
| D DLG1005-047.0 | 47 | 1.0/0.25 | 0.1435 | 1.26 |
| D DLG1005-056.0 | 56 | 1.0/0.25 | 0.159 | 1.15 |
| D DLG1005-068.0 | 68 | 1.0/0.25 | 0.2 | 1.10 |
| D DLG1005-082.0 | 82 | 1.0/0.25 | 0.23 | 0.98 |
| D DLG1005-100.0 | 100 | 1.0/0.25 | 0.26 | 0.95 |
| D DLG1005-120.0 | 120 | 1.0/0.25 | 0.351 | 0.87 |
| D DLG1005-150.0 | 150 | 1.0/0.25 | 0.403 | 0.74 |
| D DLG1005-180.0 | 180 | 1.0/0.25 | 0.494 | 0.70 |
| D DLG1005-200.0 | 200 | 1.0/0.25 | 0.545 | 0.68 |
| D DLG1005-220.0 | 220 | 1.0/0.25 | 0.572 | 0.65 |
| D DLG1005-470.0 | 470 | 100/0.25 | 1.18 | 0.42 |