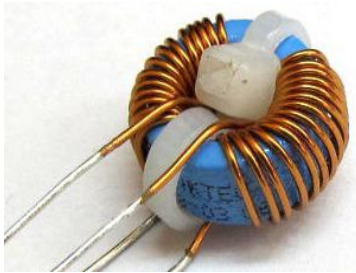


DTSN-12 NANOPERM COMMON MODE CHOKES



APPLICATIONS:

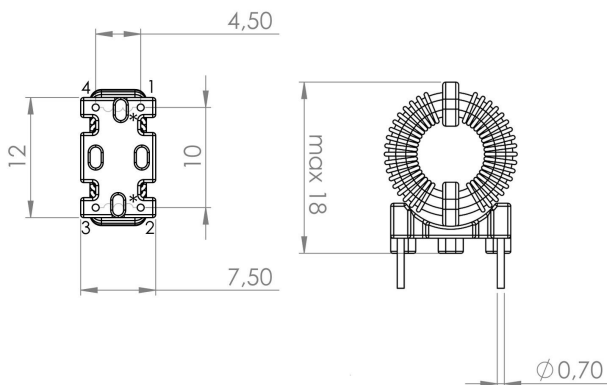
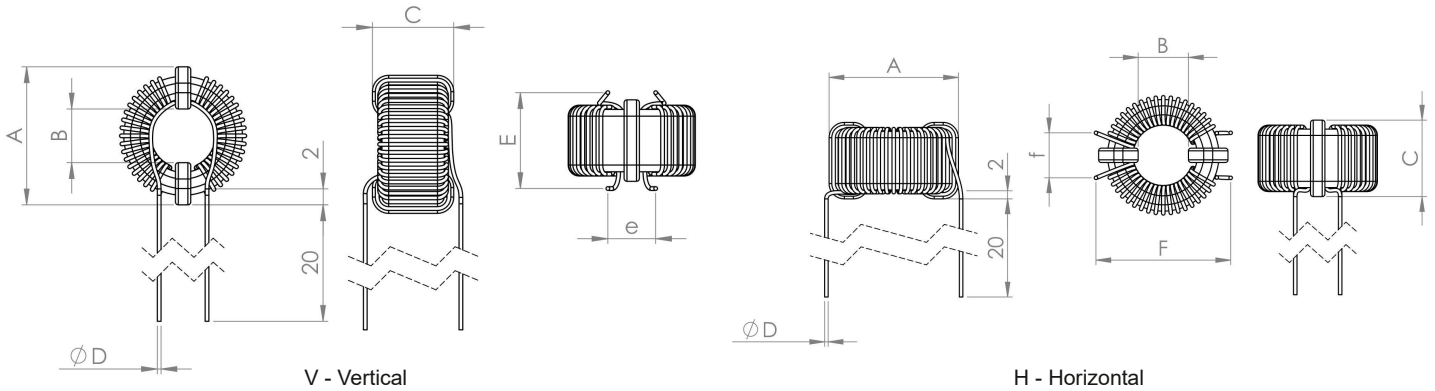
- SMPS transformers
- current transformers
- control transformers
- current compensated chokes
- chokes operating in saturation (thyristor and triac systems)

ORDERING CODE:

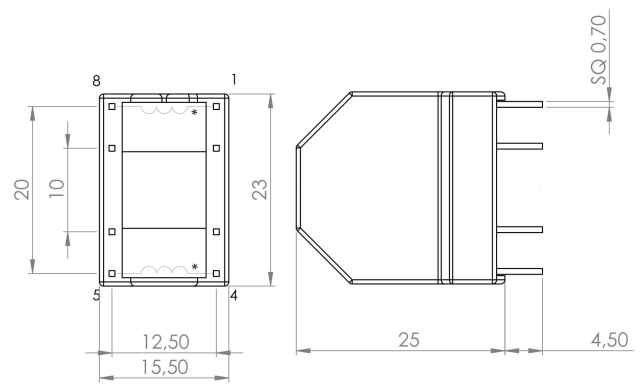
DTSN - 12 / 10 / 2,2-V

mounting: V - vertical, H - horizontal, BV - base vertical, CV - case vertical, CH - case horizontal
 rated current in Amps
 inductance in mH@ $I_{DC} = 0A$
 sendust core outer diameter
 product symbol

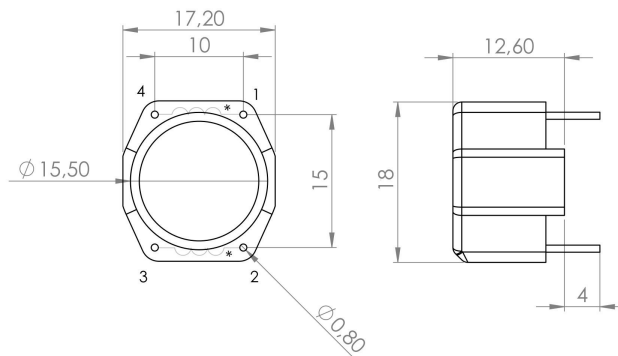
DIMENSIONS:



BV - Base Vertical - POD-12X7-4P



CV - Case Vertical - OBUD-TOR-VGH 23X11,5X25



CH - Case Horizontal - OBUD-TOR-H-1-15X12,5

Part number	Dimensions ($\pm 10\%$)							Mounting version				
	A [mm]	C [mm]	D [mm]	E [mm]	e [mm]	F [mm]	f [mm]	V	H	BV	CV	CH
DTSN-12/100/0,2	14,0	8,5	0,16	10,0	5,0	15,0	5,0	✓	✓	✓	✓	✓
DTSN-12/68/0,3	14,0	8,5	0,20	10,0	5,0	15,0	5,0	✓	✓	✓	✓	✓
DTSN-12/47/0,5	15,0	8,5	0,25	10,0	5,0	15,0	5,0	✓	✓	✓	✓	✓
DTSN-12/33/0,9	16,0	8,5	0,32	10,0	5,0	15,0	5,0	✓	✓	✓	✓	✓
DTSN-12/22/1,2	16,0	8,5	0,40	10,0	5,0	15,0	5,0	✓	✓	✓	✓	✓
DTSN-12/15/1,6	16,0	8,5	0,45	10,0	5,0	15,0	5,0	✓	✓	✓	✓	✓
DTSN-12/10/2,2	16,0	8,5	0,53	10,0	5,0	15,0	5,0	✓	✓	✓	✓	✓

ELECTRICAL PROPERTIES:

Part number	Lmax [mH]	I _{max} [A]	RDC [Ω]
DTSN-12/100/0,2	2x100	0,2	1,222
DTSN-12/68/0,3	2x68	0,3	0,482
DTSN-12/47/0,5	2x47	0,5	0,253
DTSN-12/33/0,9	2x33	0,9	0,128
DTSN-12/22/1,2	2x22	1,2	0,085
DTSN-12/15/1,6	2x15	1,6	0,064
DTSN-12/10/2,2	2x10	2,2	0,056

CHARACTERISTICS:

