

| | | | |
|------|---------|-----|----------|
| REV | CONTENT | CHK | DATE |
| VO.0 | CONTENT | LZW | 24.01.23 |

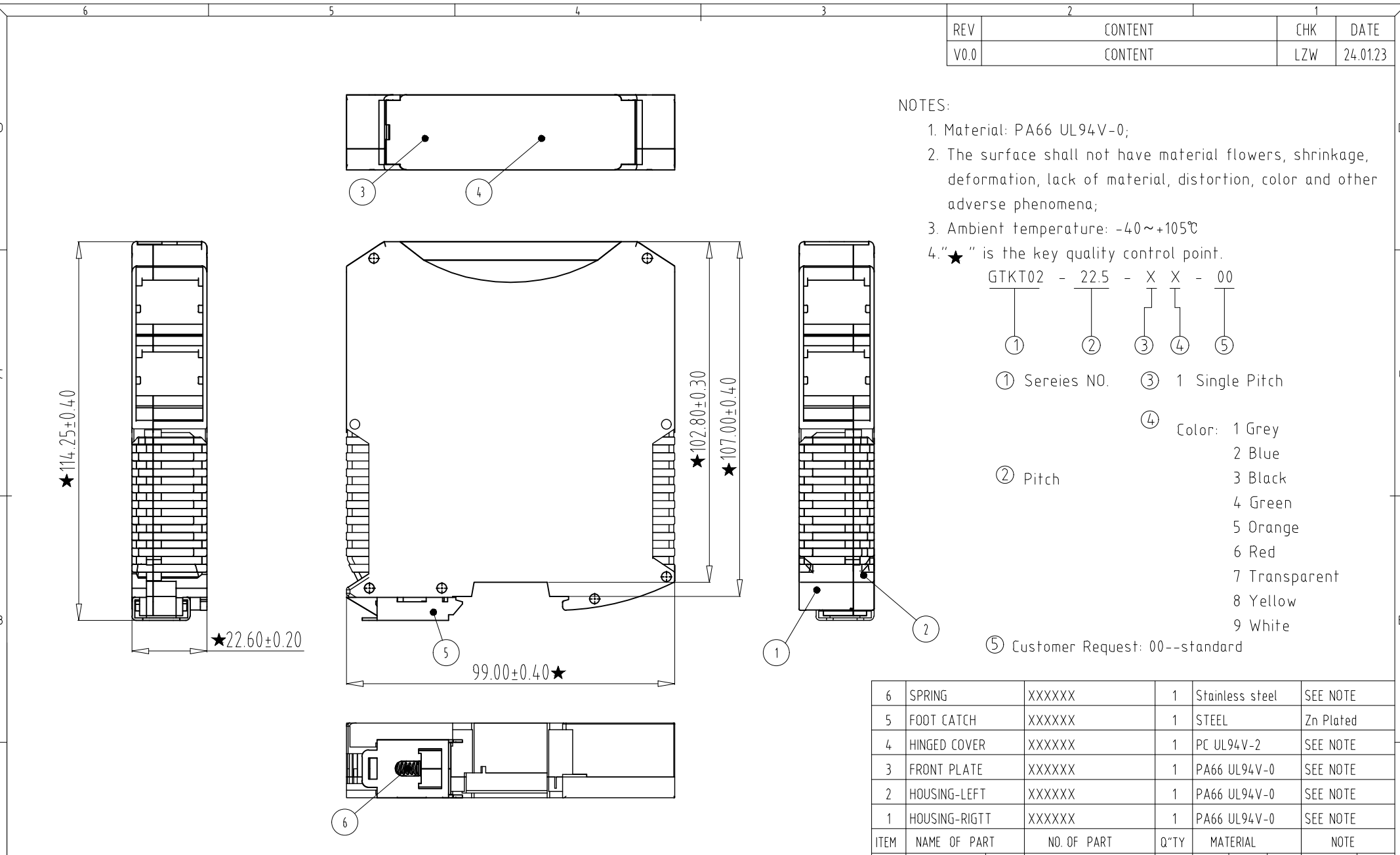
NOTES:

1. Material: PA66 UL94V-0;
2. The surface shall not have material flowers, shrinkage, deformation, lack of material, distortion, color and other adverse phenomena;
3. Ambient temperature: -40~+105℃
4. "★" is the key quality control point.

GTKT02 - 22.5 - X X - 00

① ② ③ ④ ⑤

- ① Series NO. ③ 1 Single Pitch
- ② Pitch
- ④ Color: 1 Grey
2 Blue
3 Black
4 Green
5 Orange
6 Red
7 Transparent
8 Yellow
9 White
- ⑤ Customer Request: 00--standard



| | | | | | |
|---|---------------|-------------|------|-----------------|----------------------------|
| 6 | SPRING | XXXXXX | 1 | Stainless steel | SEE NOTE |
| 5 | FOOT CATCH | XXXXXX | 1 | STEEL | Zn Plated |
| 4 | HINGED COVER | XXXXXX | 1 | PC UL94V-2 | SEE NOTE |
| 3 | FRONT PLATE | XXXXXX | 1 | PA66 UL94V-0 | SEE NOTE |
| 2 | HOUSING-LEFT | XXXXXX | 1 | PA66 UL94V-0 | SEE NOTE |
| 1 | HOUSING-RIGTT | XXXXXX | 1 | PA66 UL94V-0 | SEE NOTE |
| ITEM | NAME OF PART | NO. OF PART | Q'TY | MATERIAL | NOTE |
| DWG. | LZW | DATE | LZW | SIZE | A4 UNITS mm SHEET/OF 1 / 1 |
| CHK. | DATE | | | SCALE | 1:1 |
| APP. | DATE | | | NAME | GTKT02-22.5-XX-00 |
| 宁波冠泰电子有限公司 NINGBO GOLTEN ELECTRONICS CO., LTD. | | | | DWGNO. | XXXX |

| Total Pitch Tolerances in mm | | | | | | | | | Nominal dimension range in mm | | | | | | | | | | ⊥ | = | - | // | | | |
|------------------------------|---------|---------|---------|---------|----------|----------|----------|----------|-------------------------------|---------|---------|---------|---------|----------|----------|----------|----------|--------|----------|----------|-----|-----|-----|-----|-----|
| over 0 | over 30 | over 53 | over 70 | over 90 | over 115 | over 150 | over 250 | over 350 | over 0 | over 30 | over 53 | over 70 | over 90 | over 115 | over 150 | over 200 | over 250 | over 0 | over 100 | over 150 | 10 | all | 0 | 100 | 150 |
| to 30 | to 53 | to 70 | to 90 | to 115 | to 150 | to 250 | to 350 | to 500 | to 30 | to 53 | to 70 | to 90 | to 115 | to 150 | to 200 | to 250 | to 320 | to 10 | to 100 | to 150 | 0.3 | 0.3 | 0.2 | 0.3 | 0.5 |
| ±0.18 | ±0.20 | ±0.25 | ±0.3 | ±0.35 | ±0.44 | ±0.60 | ±0.70 | ±0.85 | ±0.20 | ±0.25 | ±0.30 | ±0.35 | ±0.44 | ±0.55 | ±0.70 | ±0.80 | ±0.90 | 0.2 | 0.3 | 0.3 | 0.3 | 0.3 | 0.2 | 0.3 | 0.5 |