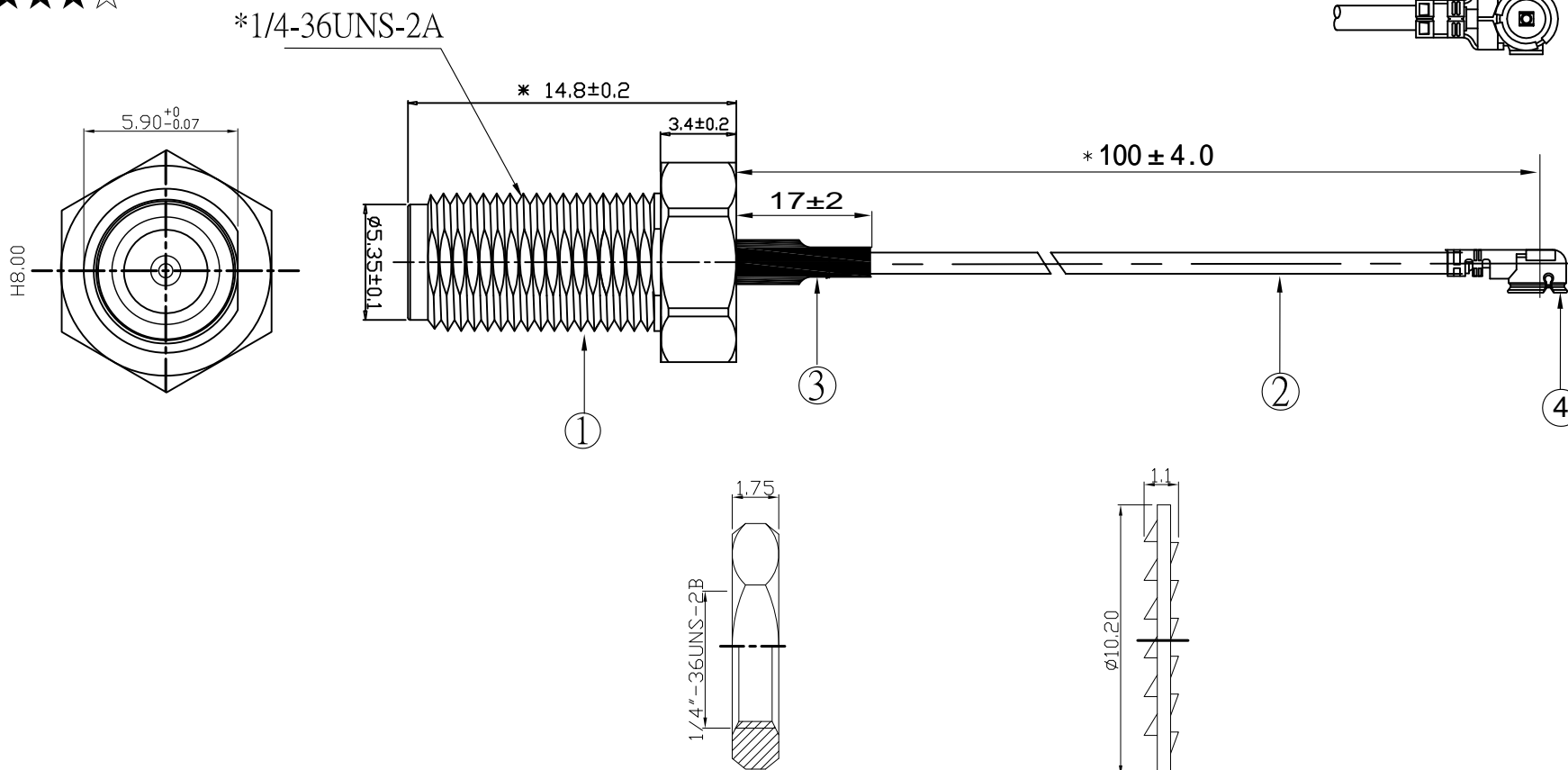


RoHS

Compatible

★★★★☆

SIGN	DATE	DESCRIPTION	APPROVER
△			
△			
△			



4	CR-113	Brass	Brass Au Plated	1
3	Shrink Tub	EVA;Black	∅ 2.5*17mm	1
2	Cable	OD:1.13 mm ; Color :Black	L= 100MM	1
1	SMA	Cu Au Plated	180° Female	1
NO	Description	Material	Specification	Q'ty

TITLE: SMA FEMALE+1.13CABLE L=100mm+IPEX					
PART NO.: UFLF-SMAF100-1.13			CUSTOMER P/N:		
APP BY	CHK BY	RF BY	DES BY	Tolerance	
LQ	DJC		DJC	UNITS: mm	X.X ±0.5
2024-06-12	2024-06-12		2024-06-12	SCALE: 1/1	X.XX ±0.2
				REVISION: A	X° ±1°