

Product Number: UFLF-SMAF200-1.13
Product Name: Coaxial Cable

Specification For Approval

Date: 2024-07-11

File No.: 240711001

Version: 1.0

Customer : _____

Customer P/N : UFLF-SMAF200-1.13

Description : Coaxial Cable

Checked By:

Customer Approved By:

Product Number: UFLF-SMAF200-1.13
Product Name: Coaxial Cable

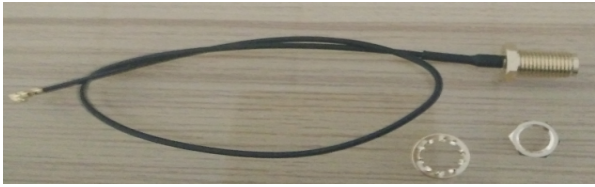
Index:

- 1. Revision History / Page 3**
- 2. Specification / Page 4**
- 3. Characteristics and Reliability Test / Page 5**
- 4. Mechanical and Packing Drawing / Page 6 ~ 7**

Product Number: UFLF-SMAF200-1.13

Product Name: Coaxial Cable

2. Specification

Sample Photo	
	
A. Electrical Characteristics	
Frequency	DC 3 GHz
Impedance	50 Ohm
V.S.W.R.	≤ 2.0
Insertion Loss	$\leq -2.5\text{dB}$
Voltage (breakdown)	$> 500\text{V}$
B. Material & Mechanical Characteristics	
Material of Conductor	Cu
Pull Test of SMA Connector	$\geq 3\text{ Kg}$
Pull Test of Mini Connector	$\geq 1\text{ Kg}$
Mating Cycles	> 500
C. Environmental	
Operation Temperature	$- 40\text{ }^{\circ}\text{C} \sim + 65\text{ }^{\circ}\text{C}$
Storage Temperature	$- 40\text{ }^{\circ}\text{C} \sim + 80\text{ }^{\circ}\text{C}$

Product Number: UFLF-SMAF200-1.13

Product Name: Coaxial Cable

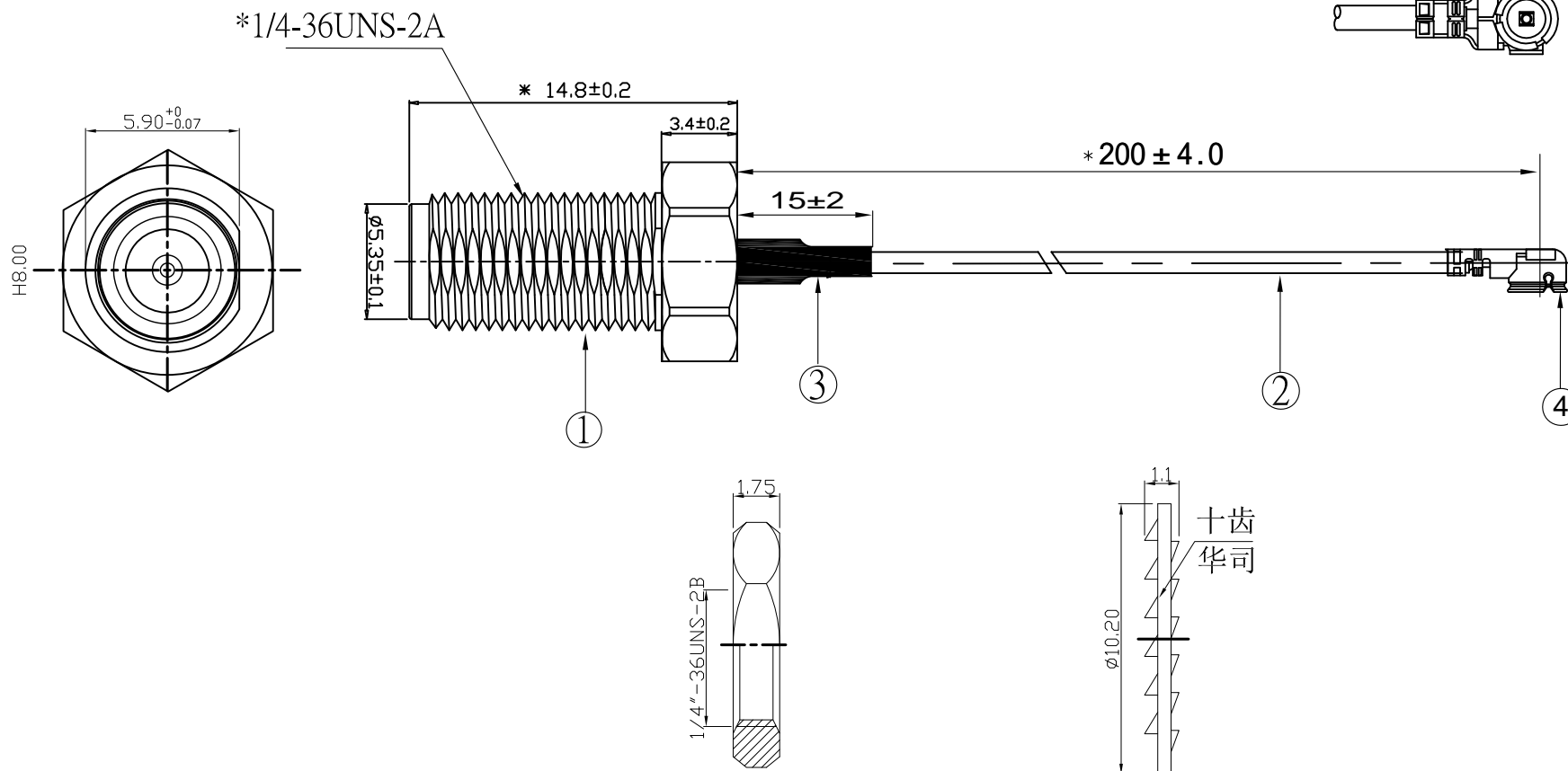
3. Characteristics and Reliability Test

Test Items		Test Condition and Procedure	Requirements	Result
C1	V.S.W.R.	Set DUT on Network Analyzer; make individual calibration to test	Directive DUT specification	PASS
C2	Insertion Loss	Set DUT on Network Analyzer; make individual calibration to test	Directive DUT specification	PASS
M4	Pull Test	Holding with individual specification; force applied to axis of terminal .	1. Directive DUT specification 2. Frequency Tol.≤5%	PASS
M6	Dimension	Inspection of dimension, color, material, package, surface process.	Directive DUT specification 符合待測物規範	PASS
E2	Salt Spray	GB / T 2423.17-2008 Temp: 35°C; RH: ≥ 95%; NaCl solution: ≥	1. No Visual Damage 2. Frequency Tol.≤5%	PASS
E3	Temperature and Humidity Chamber	GB / T 2423.3-2006 Temp: 80°C / 12 H; -40°C / 12H RH: ≥ 90%; Time: 24H	After 2 Hours Recovery 1. No Visual Damage 2. Frequency Tol.≤5%	PASS
E5	Aging test	GB / T 2423.2 - 2008 Temp: 80°C; Time: 24 hours	After 2 Hours Recovery 1. No Visual Damage 2. Frequency Tol.≤5%	PASS
R1	RoHS	With Reference to IEC 62321:2008 with flow chart	Directive RoHS 2011/65/EU	PASS
R2	PFOS	With Reference to USA EPA 3550C:1996 by LC/MS	Directive RoHS 2006/122/EC	PASS

RoHS

Compatible

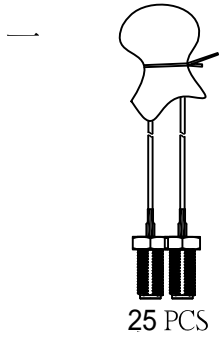
SIGN	DATE	DESCRIPTION	APPROVER
△			
△			
△			



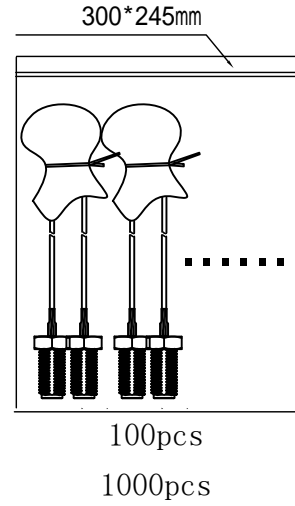
4	CR-113	Brass	Brass Au Plated	1
3	Shrink Tub	EVA;Black	∅ 2.5*15mm	1
2	Cable	OD: 1.13 mm ; Color : Black	L= 200mm	1
1	SMA	Cu Au Plated	180° Female	1
NO	Description	Material	Specification	Q'ty

TITLE: SMA FEMALE+1.13CABLE L=200mm+IPEX					
PART NO.: UFLF-SMAF200-1.13			CUSTOMER P/N:		
APP BY	CHK BY	RF BY	DES BY	Tolerance	
LQ	DJC		DJC	UNITS: mm	X.X ±0.5
2024-07-11	2024-07-11		2024-07-11	SCALE: 1/1	X.XX ±0.2
				REVISION: A	X° ±1°

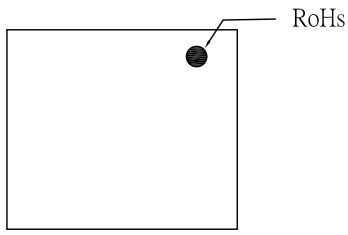
UFLF-SMAF200-1.13



⇒

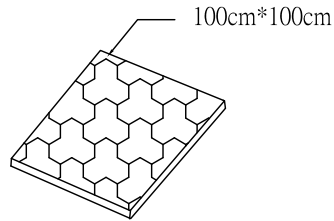


≡

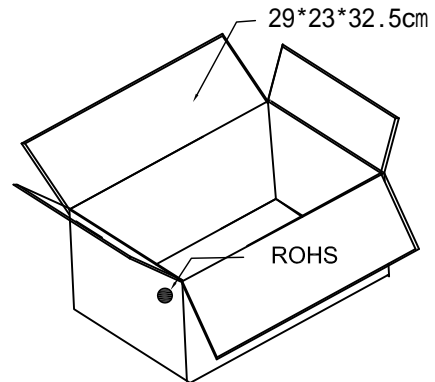


29*23*32.5cm

RoHs



C/NO



4000PCS