

Product Number: RG178-NF-UFL-0.3M
Product Name: Coaxial Cable

Index:

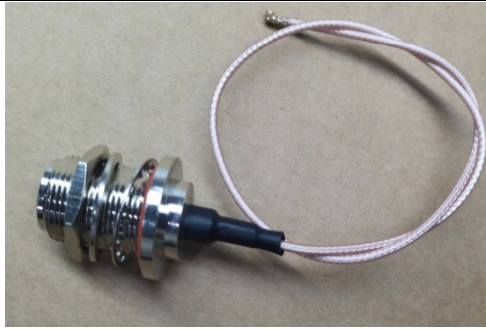
- 1. Specification**
- 2. Characteristics and Reliability Test**
- 3. Mechanical Drawing**

Product Number: RG178-NF-UFL-0.3M

Product Name: Coaxial Cable

1. Specification

Sample Photo



A. Electrical Characteristics

Frequency	DC 3 GHz
Impedance	50 Ohm
V.S.W.R.	≤ 2.0
Insertion Loss	$\leq -2.5\text{dB}$
Voltage (breakdown)	$> 500\text{V}$

B. Material & Mechanical Characteristics

Material of Conductor	Cu
Pull Test of NF Connector	$\geq 3\text{ Kg}$
Pull Test of Mini Connector	$\geq 1\text{ Kg}$
Mating Cycles	> 500

C. Environmental

Operation Temperature	$-40\text{ }^{\circ}\text{C} \sim +65\text{ }^{\circ}\text{C}$
Storage Temperature	$-40\text{ }^{\circ}\text{C} \sim +80\text{ }^{\circ}\text{C}$

Product Number: RG178-NF-UFL-0.3M

Product Name: Coaxial Cable

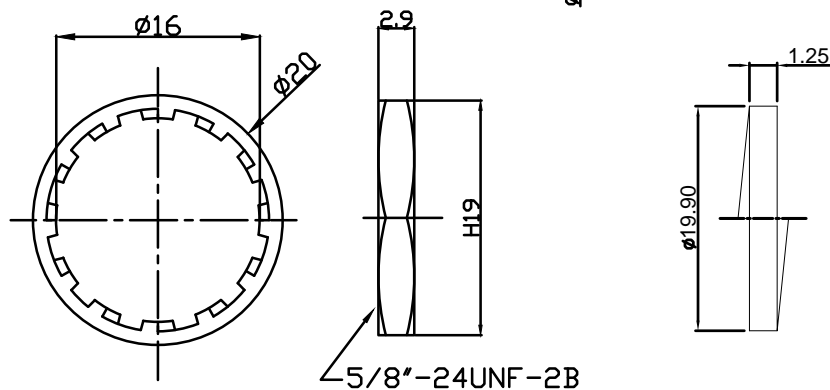
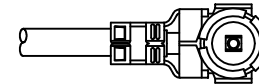
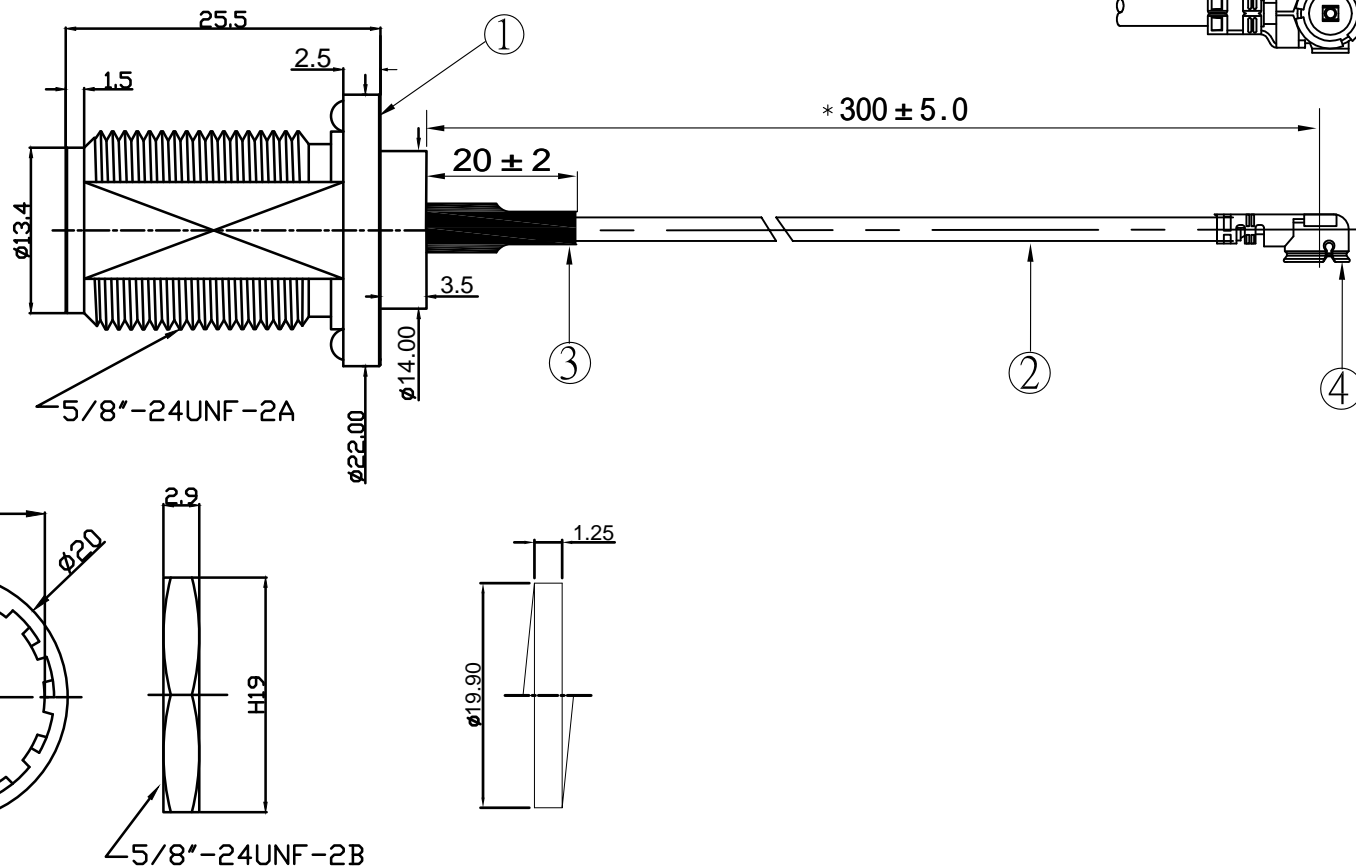
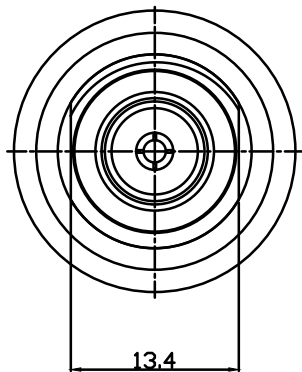
2. Characteristics and Reliability Test

Test Items		Test Condition and Procedure	Requirements	Result
C1	V.S.W.R.	Set DUT on Network Analyzer; make individual calibration to test	Directive DUT specification	PASS
C2	Insertion Loss	Set DUT on Network Analyzer; make individual calibration to test	Directive DUT specification	PASS
M4	Pull Test	Holding with individual specification; force applied to axis of terminal .	1. Directive DUT specification 2. Frequency Tol.≤5%	PASS
M6	Dimension	Inspection of dimension, color, material, package, surface process.	Directive DUT specification	PASS
E2	Salt Spray	GB / T 2423.17-2008 Temp: 35°C; RH: ≥ 95%; NaCl solution: ≥ 5%;Time: 24H	1. No Visual Damage 2. Frequency Tol.≤5%	PASS
E3	Temperature and Humidity Chamber	GB / T 2423.3-2006 Temp: 80°C / 12 H; -40°C / 12H RH: ≥ 90%; Time: 24H	After 2 Hours Recovery 1. No Visual Damage 2. Frequency Tol.≤5%	PASS
E5	Aging test	GB / T 2423.2 - 2008 Temp: 80°C; Time: 24 hours	After 2 Hours Recovery 1. No Visual Damage 2. Frequency Tol.≤5%	PASS
R1	RoHS	With Reference to IEC 62321:2008 with flow chart	Directive RoHS 2011/65/EU	PASS
R2	PFOS	With Reference to USA EPA 3550C:1996 by LC/MS	Directive RoHS 2006/122/EC	PASS

RoHS

Compatible

★★★★☆



SIGN	DATE	DESCRIPTION	APPROVER
△			
△			
△			

4	CR-178	Cu Au Plated	Mi ni Coaxial Connector	1
3	Shrink Tub	EVA;Black	∅ 5.0*20mm	1
2	Cable	OD 1.78mm	L=300mm	1
1	N Female	Cu Nickel	180° Female	1
NO	Description	Material	Specification	Q'ty

TITLE: Coaxial Cable					
PART NO.: RG178-NF-UFL-0.3M				CUSTOMER P/N:	
APP BY	CHK BY	RF BY	DES BY		Tolerance
LQ	DJC		DJC	UNITS: mm SCALE: 1/1 REVISION: A	X.X ±0.5
2024-12-11	2024-12-11		2024-12-11		X.XX ±0.2
					X° ±1°