

**Product Number: RG178-SMAF-IPEX-0.1M**  
**Product Name: Coaxial Cable**

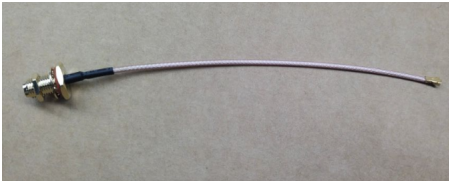
**Index:**

- 1. Specification**
- 2. Characteristics and Reliability Test**
- 3. Mechanical Drawing**

**Product Number: RG178-SMAF-IPEX-0.1M**

**Product Name: Coaxial Cable**

## 1. Specification

Sample Photo	
	
A. Electrical Characteristics	
Frequency	DC 3 GHz
Impedance	50 Ohm
V.S.W.R.	$\leq 2.0$
Insertion Loss	$\leq -2.5\text{dB}$
Voltage (breakdown)	$> 500\text{V}$
B. Material & Mechanical Characteristics	
Material of Conductor	Cu
Pull Test of SMA Connector	$\geq 3\text{ Kg}$
Pull Test of Mini Connector	$\geq 1\text{ Kg}$
Mating Cycles	$> 500$
C. Environmental	
Operation Temperature	$- 40\text{ }^{\circ}\text{C} \sim + 65\text{ }^{\circ}\text{C}$
Storage Temperature	$- 40\text{ }^{\circ}\text{C} \sim + 80\text{ }^{\circ}\text{C}$

Product Number: RG178-SMAF-IPEX-0.1M

Product Name: Coaxial Cable

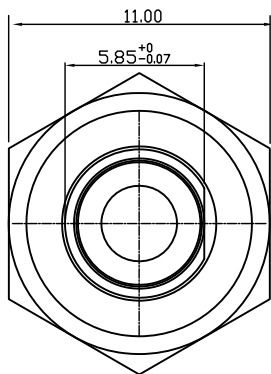
## 2. Characteristics and Reliability Test

Test Items		Test Condition and Procedure	Requirements	Result
C1	V.S.W.R.	Set DUT on Network Analyzer; make individual calibration to test	Directive DUT specification	PASS
C2	Insertion Loss	Set DUT on Network Analyzer; make individual calibration to test	Directive DUT specification	PASS
M4	Pull Test	Holding with individual specification; force applied to axis of terminal .	1. Directive DUT specification 2. Frequency Tol.≤5%	PASS
M6	Dimension	Inspection of dimension, color, material, package, surface process.	Directive DUT specification	PASS
E2	Salt Spray	GB / T 2423.17-2008 Temp: 35°C; RH: ≥ 95%; NaCl solution: ≥ 5%;Time: 24H	1. No Visual Damage 2. Frequency Tol.≤5%	PASS
E3	Temperature and Humidity Chamber	GB / T 2423.3-2006 Temp: 80°C / 12 H; -40°C / 12H RH: ≥ 90%; Time: 24H	After 2 Hours Recovery 1. No Visual Damage 2. Frequency Tol.≤5%	PASS
E5	Aging test	GB /T 2423.2 - 2008 Temp: 80°C; Time: 24 hours	After 2 Hours Recovery 1. No Visual Damage 2. Frequency Tol.≤5%	PASS
R1	RoHS	With Reference to IEC 62321:2008 with flow chart	Directive RoHS 2011/65/EU	PASS
R2	PFOS	With Reference to USA EPA 3550C:1996 by LC/MS	Directive RoHS 2006/122/EC	PASS

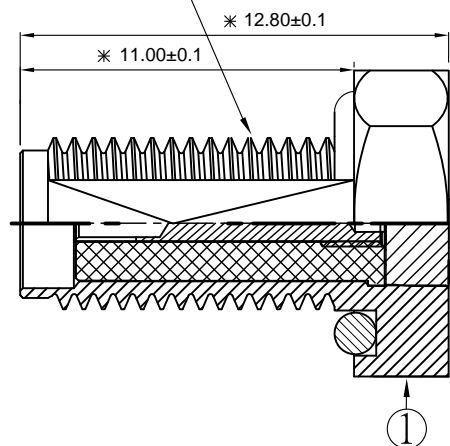
# RoHS

## Compatible

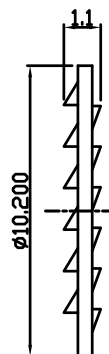
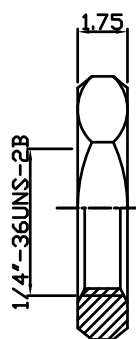
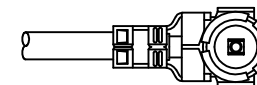
★★★★☆



\*1/4-36UNS-2A



100 ± 3.0



SIGN	DATE	DESCRIPTION	APPROVER
△			
△			
△			

4	CR-178	Cu Au Plated	Mi ni Coaxial Connector	1
3	Shrink Tub	EVA;Black	∅ 2.5*15mm	1
2	Cable	O.D 1.78mm; Color	L= 100mm	1
1	SMA	Cu Au Plated	180° SMA Female	1
NO	Description	Material	Specification	Q'ty

TITLE: Coaxial Cable					
PART NO.: RG178-SMAF-IPEX-0.1M				CUSTOMER P/N:	
APP BY	CHK BY	RF BY	DES BY		Tolerance
LQ	DJC		DJC	UNITS: mm	X.X ±0.5
2024-12-11	2024-12-11		2024-12-11	SCALE: 1/1	X.XX ±0.2
				REVISION: A	X° ±1°