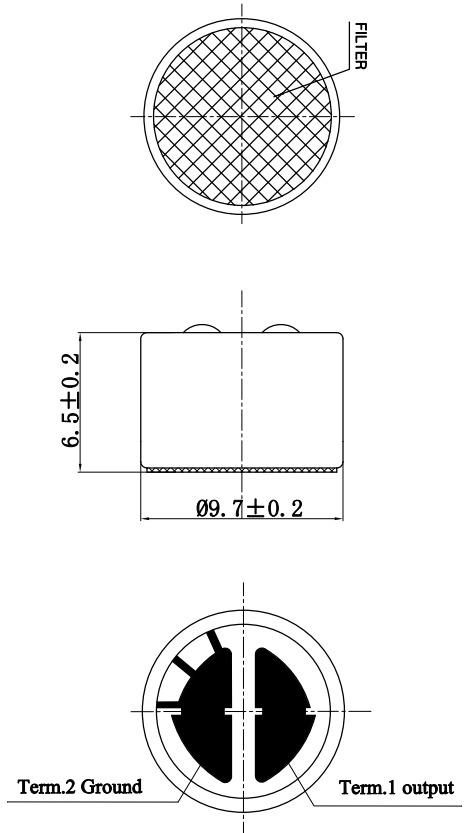
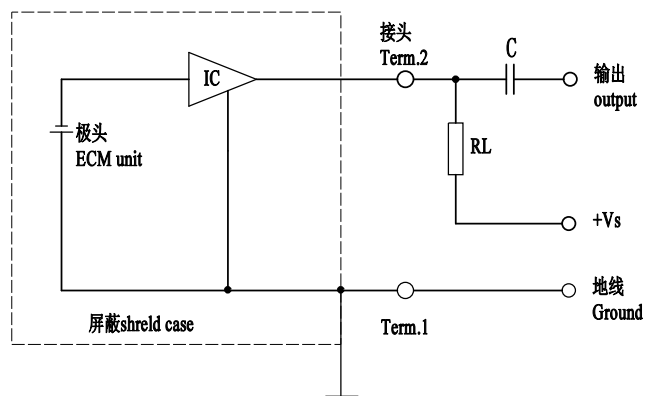


# 受 控



原理图



编号 NO.	项目 Items	规格 Specifications
1	额定电压 Rated Voltage	4.5V
2	工作电压 Operating Voltage	1.5V~10V
3	灵敏度 Sensitivity	-32±3dB(0dB=1V/pa at 1KHz)
4	消耗电流 Current Consumption	0.5mA Max
5	频率范围 Frequency	100Hz~16000Hz
6	信噪比 S/N Ratio	≥60dBA
7	灵敏度减低 Sensitivity Reduction	-3dB (Vcc=4.5V to 3.0V)
8	方向性 Directivity	Omnidirectional
9	测试条件 Testing Condition	1000Hz, Vs=4.5V, RL=2.2K Ω
10	壳体材料/颜色 Shell Material/Color	AL/Silver
11	工作温度 Operating Temperature	-25~+55 °C
12	贮存温度 Store Temperature	-25~+55 °C
13	重量 Weight	≤1.6g
备注 Note:	本产品符合RoHS 2.0指令 Compliance with RoHS	

△			
△			
△			
△			
NO.	DATE	REVISION	REFERENCE DWG

<b>TOLERANCES UNLESS NOTED OTHERWISE</b> .X ± .XX ± .XXX ± 90° FORMED +2° ANGLES -1°  FIRST ANGLE PROJECTION	DRAWN		KEPO MODEL NO.	CUSTOMER		
	DESIGN	水成锋	044ECM麦克风	CUSTOMER NO.		
	CHECKED		DWG NO.			
	APPROVED	梁树棠	308-0102-00044	VER	1.0	SCALE
	DATE	13.01.04		UNIT	mm	SHEET
	CONTRACT NO.					
	AGENCY APPROVAL		<b>KEPO CO.,LTD.</b> TEL:(+86)574-88370330 FAX:(+86)574-88370329			