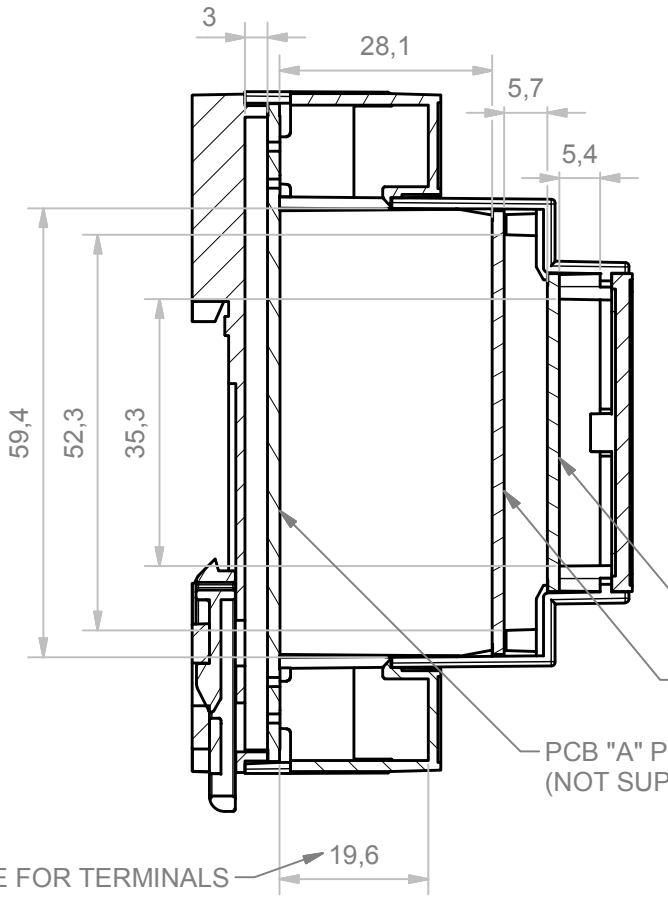
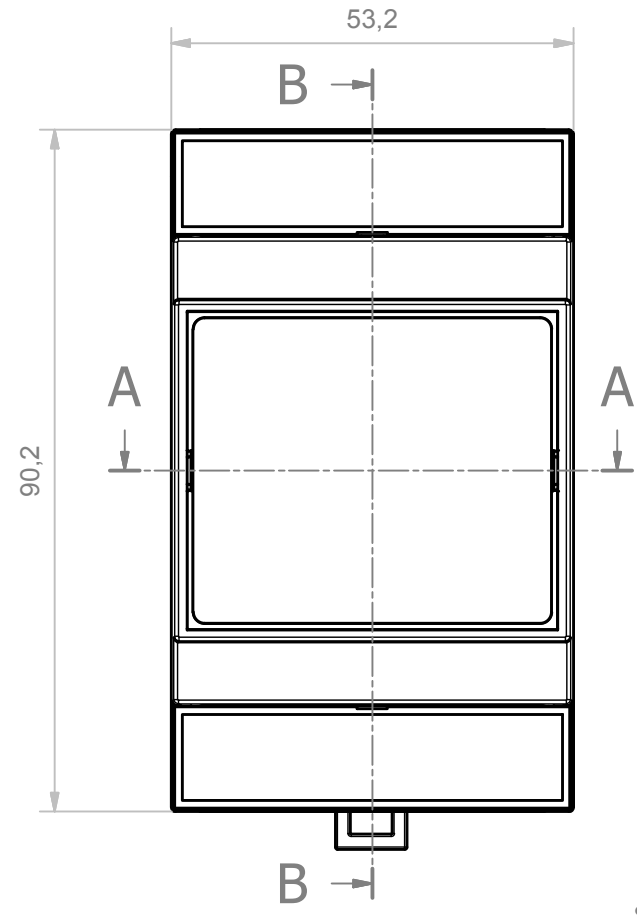
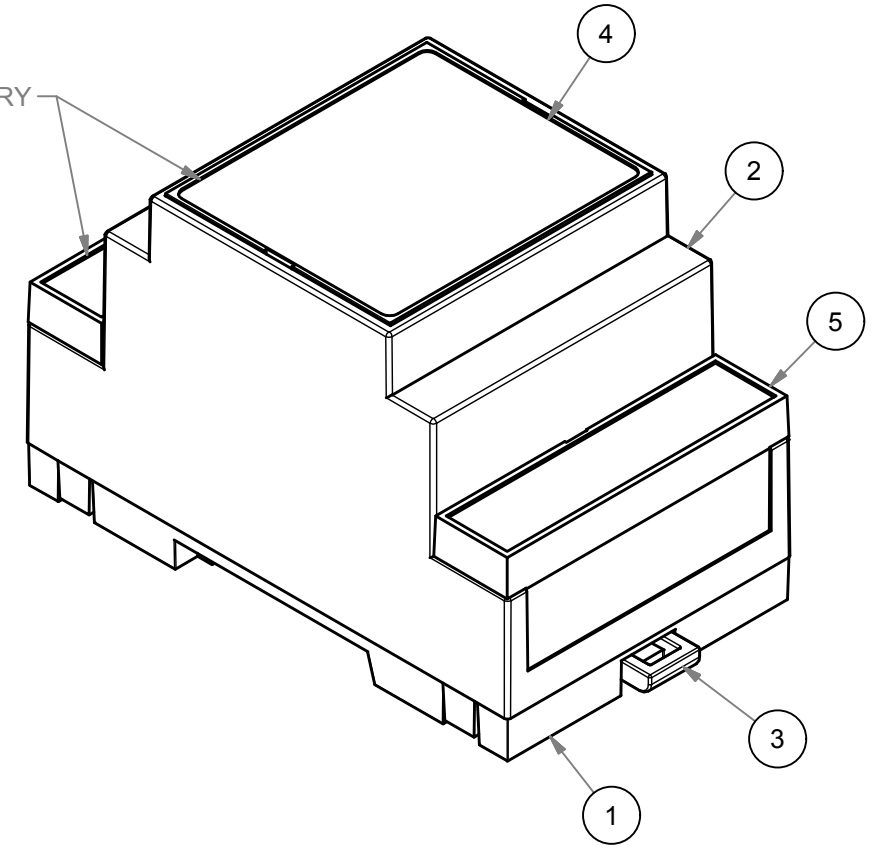


6 | 5 | 4 | 3 | 2 | 1

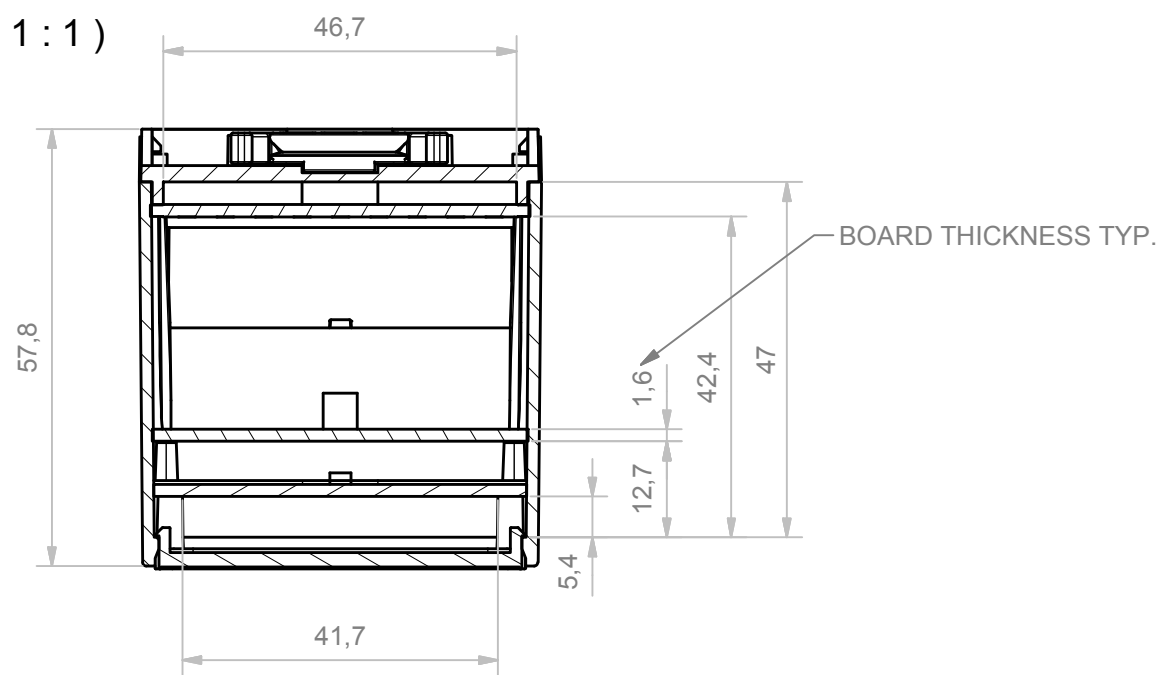
B-B (1:1)



EXAMPLE OF ACCESSORY
(not included in kit)



A-A (1:1)



RIF.	MATERIAL	COLOR STD	KIT
1	PPO UL94V-0	GRAY	INCLUDED
2	PPO UL94V-0	GRAY	INCLUDED
3	PPO UL94V-0	BLACK	INCLUDED
4	PPO UL94V-0	GRAY	NOT INCLUDED
5	PPO UL94V-0	GRAY	NOT INCLUDED

COMPONENTS LIST				
RIF.	Q.TY	DESCRIPTION	CODE	
1	1	BASE 3 MODULI - BASE 3 MODULES	M-00229	
2	1	CORPO CONTENITORE 3MH53 - BODY ENCLOSURE 3MH53	M-01859	
3	1	AGGANCIAMENTO MODULARE CORTO - MODULAR SHORT HOOK	M-01624	
4	1	PANNELLO 3M CON CORNICE - PANEL 3M WITH FRAME	M-00350	
5	2	COPRIMORSETTO 3MPN - TERMINAL COVER 3MPN	M-00255	
Da 0,5 a 3		Oltre 3 fino a 6	Oltre 6 fino a 30	Oltre 30 fino a 120
± 0,1		± 0,1	± 0,2	± 0,3
				± 0,5

RESERVED PROPERTY The present drawing cannot be reproduced or communicated to 3d parties, even partially, without the authorization of ITALTRONIC Srl. Italtronic reserves to protect its own rights according to the law.	Dimension in mm	SHEET NR. 1 / 2	DRAWING BY Manual modification are not allowed	GENERAL TOLERANCE UNI EN 22768/1 Media (m)
		Date: 21/11/2014	Replace nr.	Revision description
Drawed: Rigato N.	Checked: Dalla Montà D.	Scale: 1:1		

5 4 3 2 1

Vedere nel catalogo tutti gli accessori compatibili con il kit.
See in the catalog all the accessories compatible with the kit.

UN PARTNER PER IL FUTURO

Denomination:

Contenitore completo Modulbox 3MH53

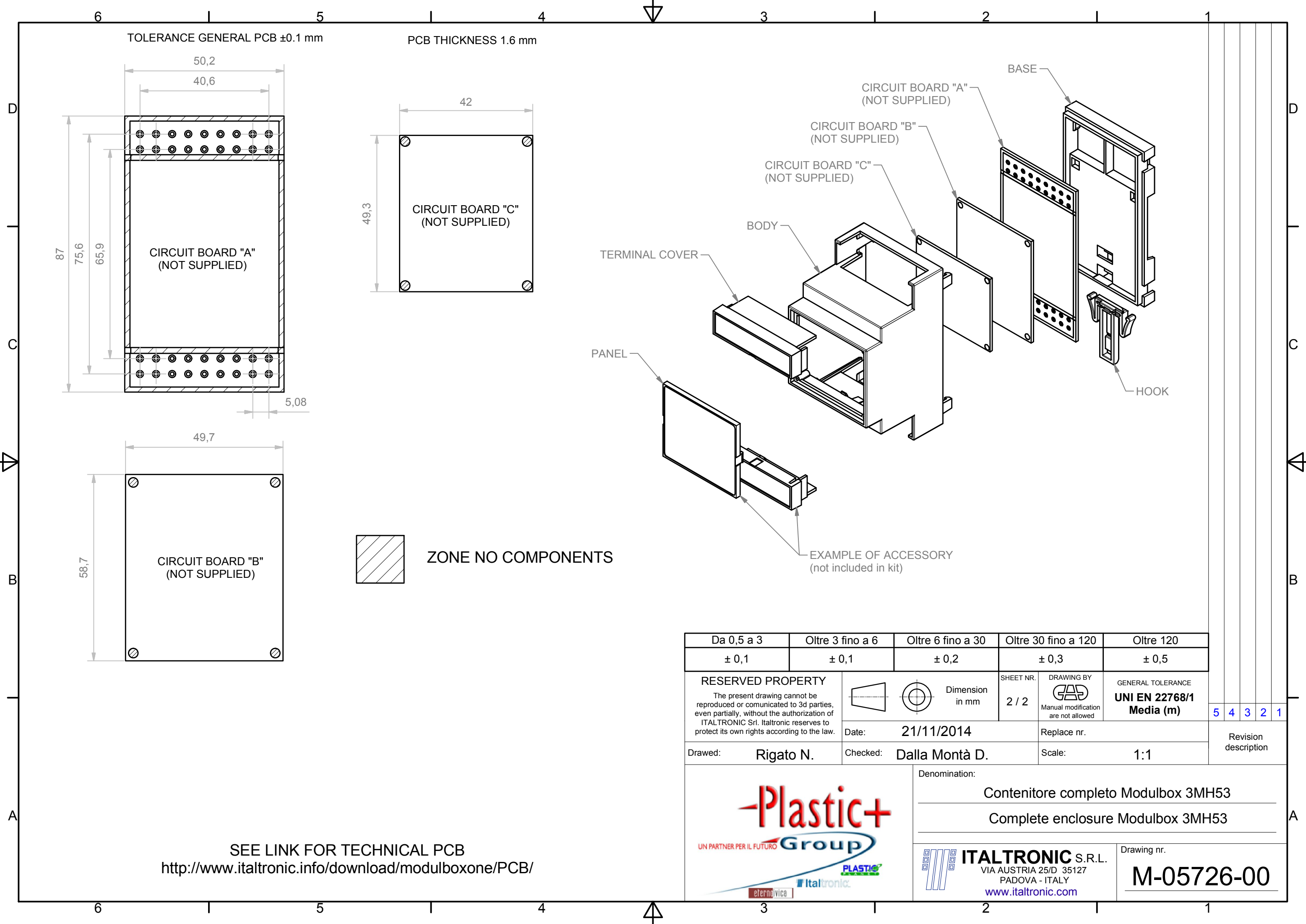
Complete enclosure Modulbox 3MH53

Drawing nr.

M-05726-00

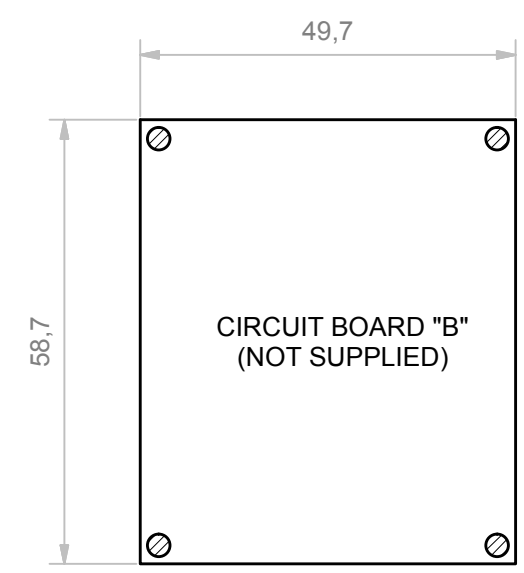
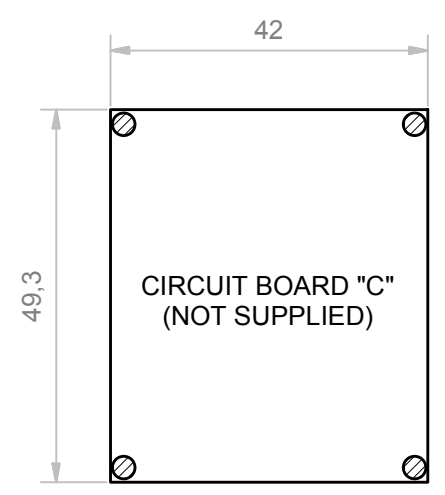
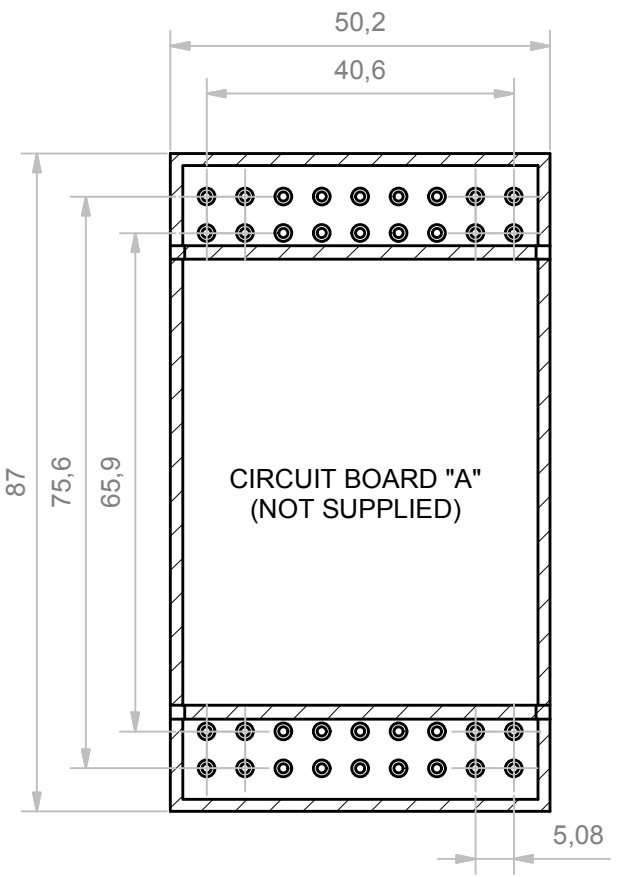
ITALTRONIC S.R.L.
 VIA AUSTRIA 25/D 35127
 PADOVA - ITALY
www.italtronic.com

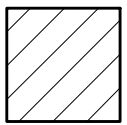
6 | 5 | 4 | 3 | 2 | 1

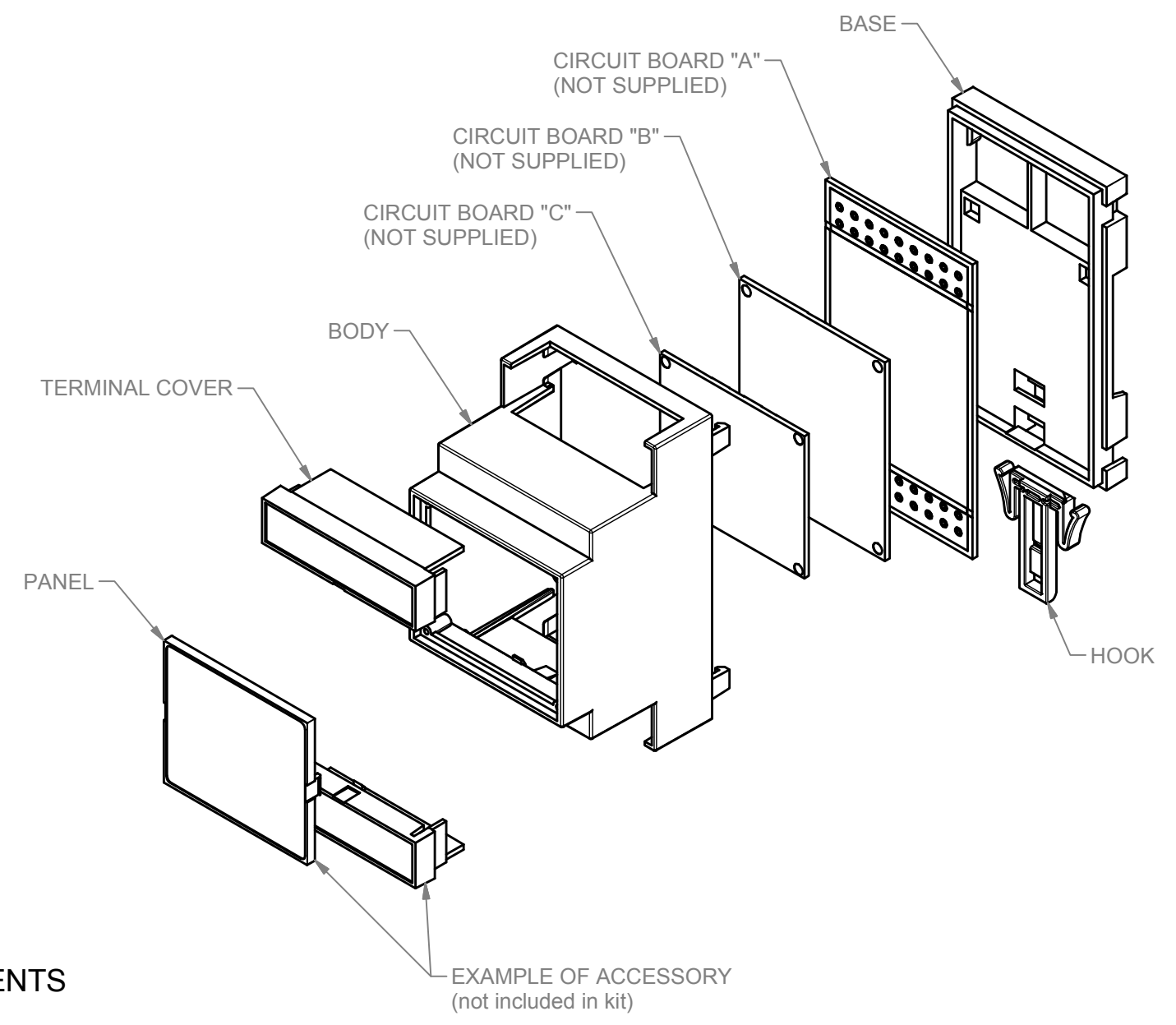


TOLERANCE GENERAL PCB ± 0.1 mm

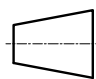

PCB THICKNESS 1.6 mm



 ZONE NO COMPONENTS



Da 0,5 a 3	Oltre 3 fino a 6	Oltre 6 fino a 30	Oltre 30 fino a 120	Oltre 120
$\pm 0,1$	$\pm 0,1$	$\pm 0,2$	$\pm 0,3$	$\pm 0,5$

RESERVED PROPERTY The present drawing cannot be reproduced or communicated to 3d parties, even partially, without the authorization of ITALTRONIC Srl. Italtronic reserves to protect its own rights according to the law.	 Dimension in mm	SHEET NR.	DRAWING BY	GENERAL TOLERANCE UNI EN 22768/1 Media (m)	5 4 3 2 1
		2 / 2			
Drawed: Rigato N.	Checked: Dalla Montà D.	Scale: 1:1		Revision description	

SEE LINK FOR TECHNICAL PCB
<http://www.italtronic.info/download/modulboxone/PCB/>



UN PARTNER PER IL FUTURO

Denomination:

Contenitore completo Modulbox 3MH53

Complete enclosure Modulbox 3MH53

Drawing nr.

M-05726-00



VIA AUSTRIA 25/D 35127
 PADOVA - ITALY
www.italtronic.com