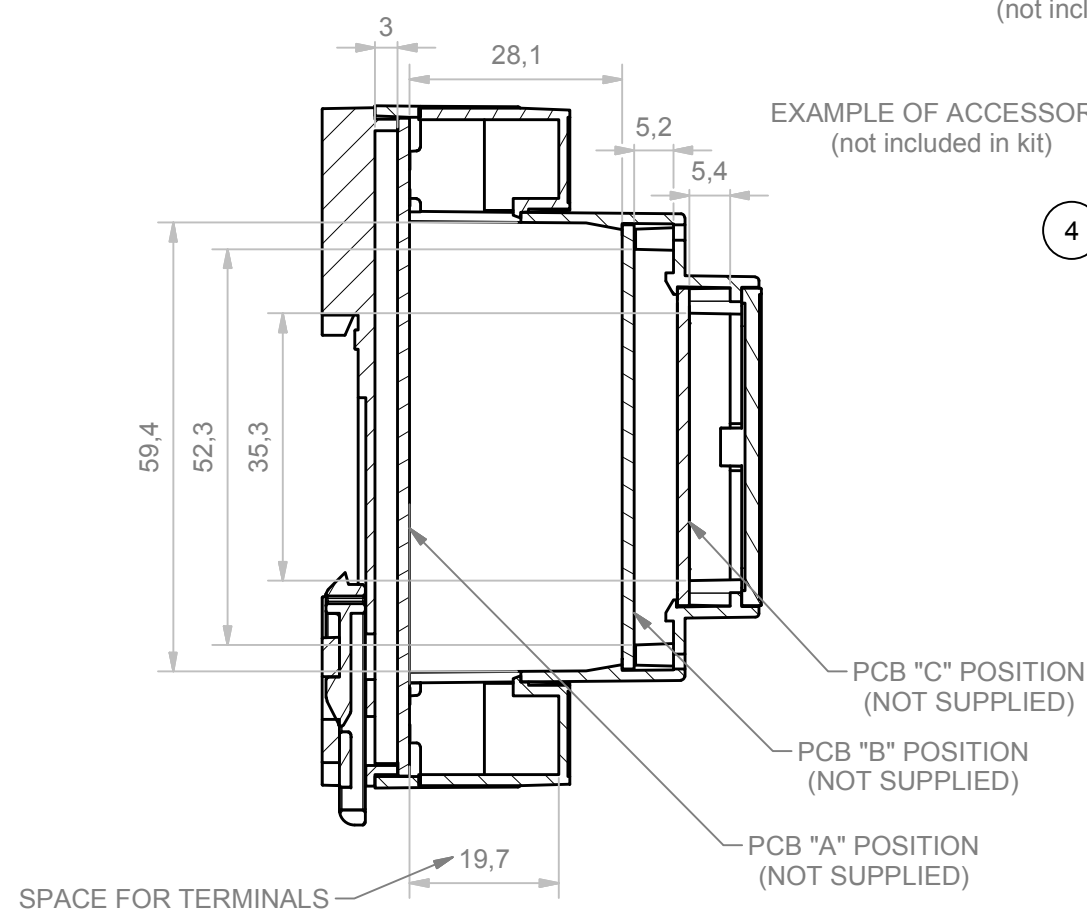
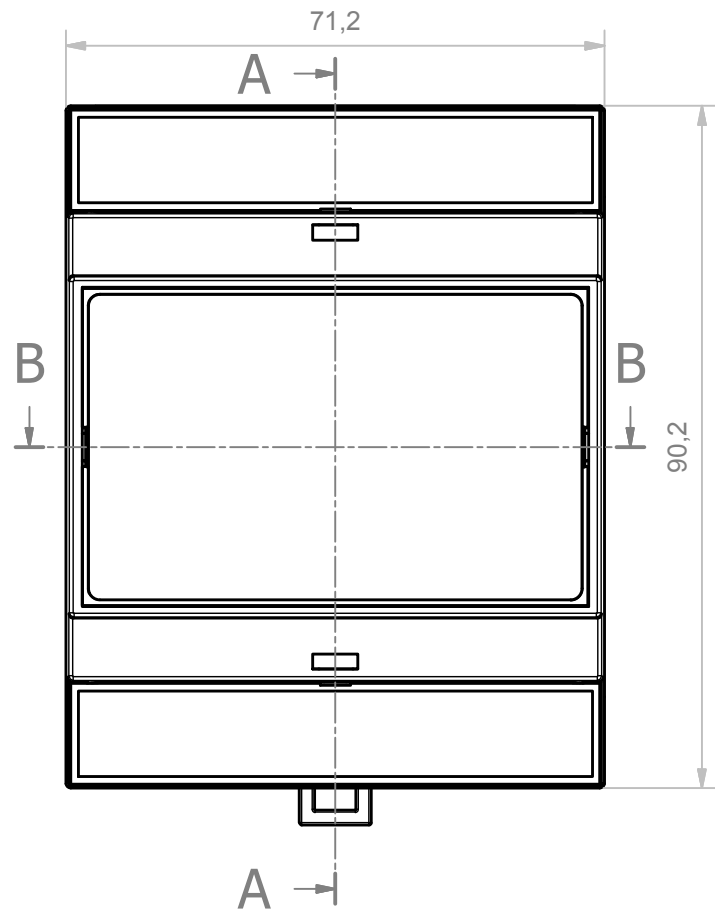


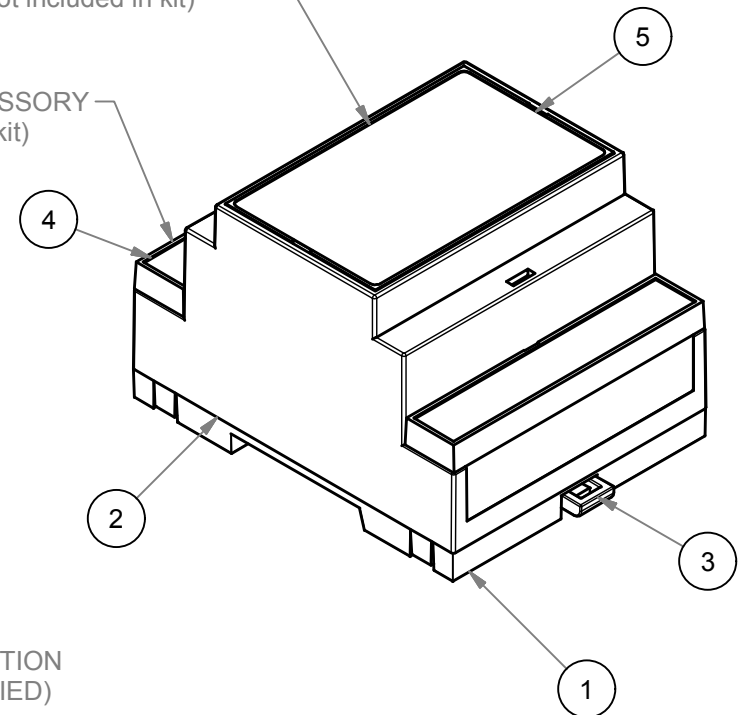
6 | 5 | 4 | 3 | 2 | 1

A-A (1:1)



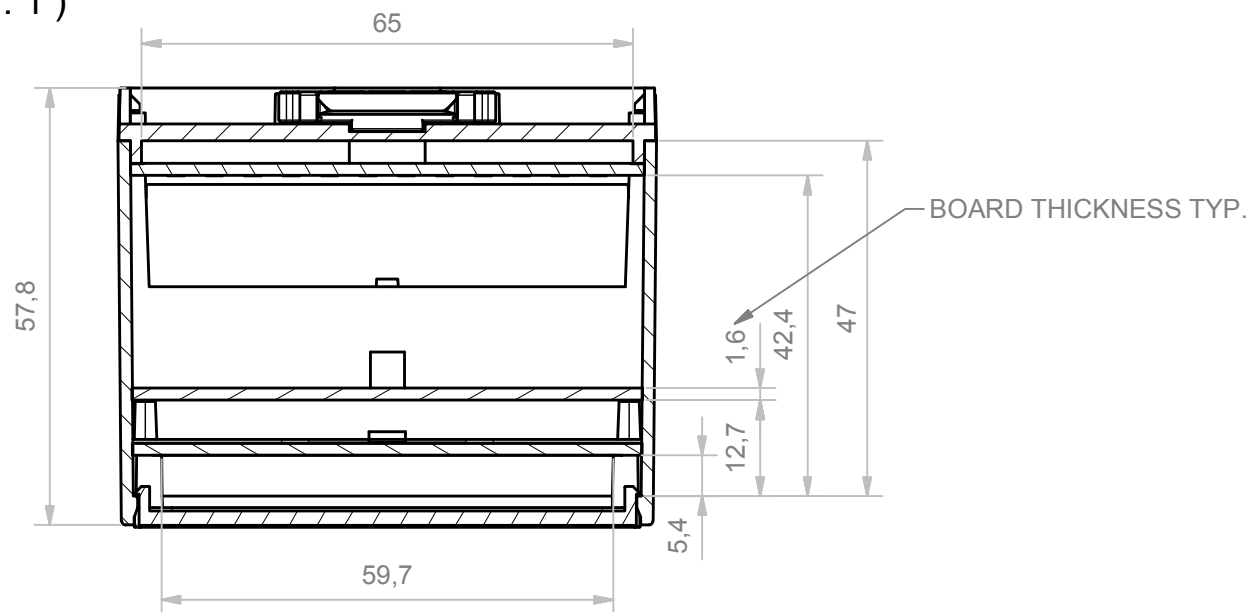
EXAMPLE OF ACCESSORY (not included in kit)

EXAMPLE OF ACCESSORY (not included in kit)



RIF.	MATERIAL	COLOR STD	KIT
1	PPO UL94V-0	GRAY	INCLUDED
2	PPO UL94V-0	GRAY	INCLUDED
3	PPO UL94V-0	BLACK	INCLUDED
4	PPO UL94V-0	GRAY	NOT INCLUDED
5	PPO UL94V-0	GRAY	NOT INCLUDED

B-B (1:1)



COMPONENT LIST				
RIF.	Q.TY	DESCRIPTION	CODE	
1	1	BASE 4 MODULI - BASE 4 MODULES	M-00233	
2	1	CORPO CONTENITORE 4MH53 - BODY ENCLOSURE 4MH53	M-00203	
3	1	AGGANCIAMENTO MODULARE CORTO - MODULAR SHORT HOOK	M-01624	
4	2	COPRIMORSETTO 4MPN - TERMINAL COVER 4MPN	M-00219	
5	1	PANNELLO 4M CON CORNICE - PANEL 4M WITH FRAME	M-00345	
Da 0,5 a 3		Oltre 3 fino a 6	Oltre 6 fino a 30	Oltre 30 fino a 120
± 0,1		± 0,1	± 0,2	± 0,3
				± 0,5

RESERVED PROPERTY The present drawing cannot be reproduced or communicated to 3d parties, even partially, without the authorization of ITALTRONIC Srl. Italtronic reserves to protect its own rights according to the law.	Dimension in mm	SHEET NR.	DRAWING BY	GENERAL TOLERANCE
		1 / 2	Manual modification are not allowed	UNI EN 22768/1 Media (m)
Date:	17/11/2014	Replace nr.		
Drawed:	Rigato N.	Checked:	Dalla Montà D.	Scale: 1:1

5	4	3	2	1
Revision description				

Vedere nel catalogo tutti gli accessori compatibili con il kit.
See in the catalog all the accessories compatible with the kit.

UN PARTNER PER IL FUTURO

Denomination:

Contenitore completo Modulbox 4MH53

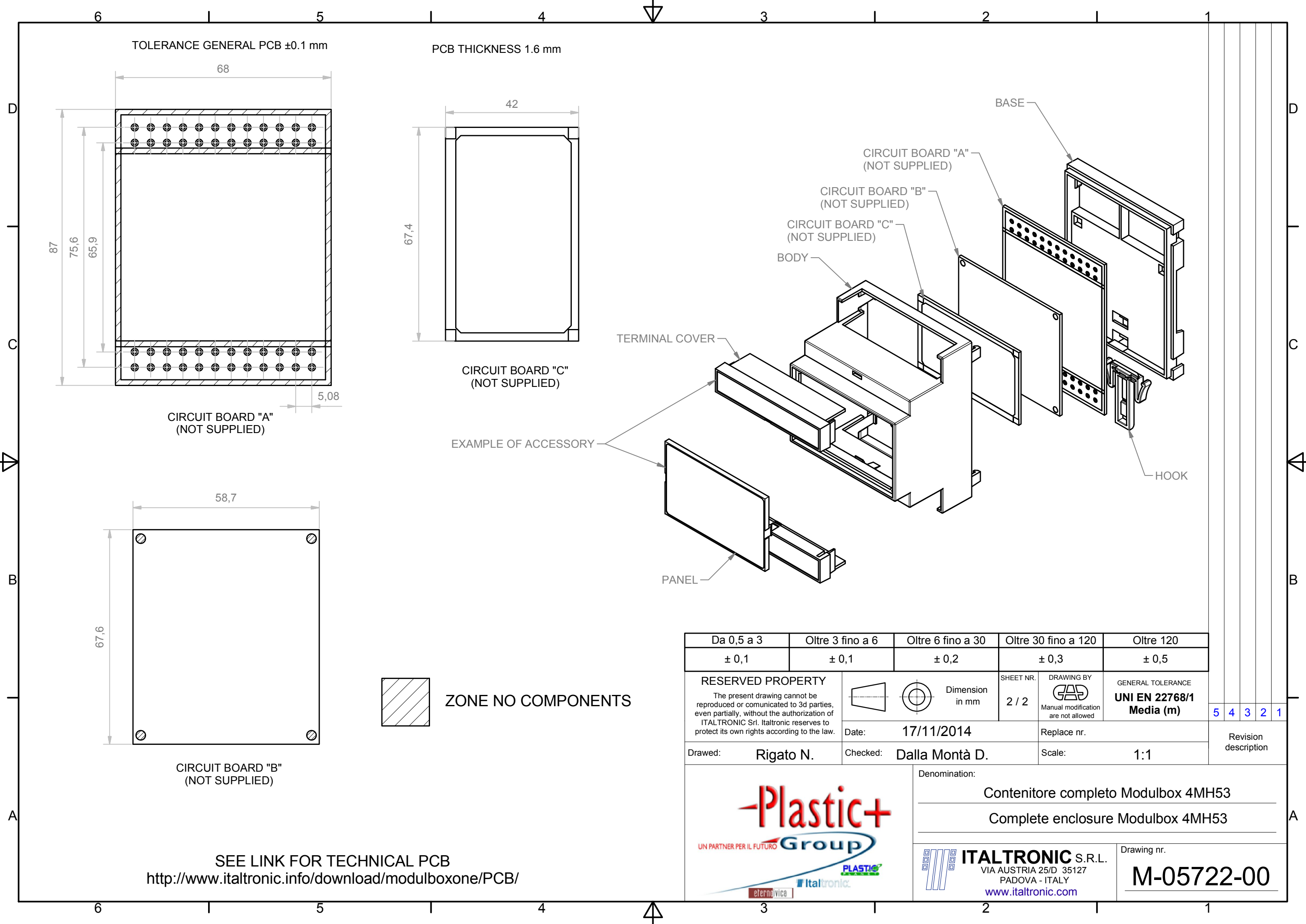
Complete enclosure Modulbox 4MH53

Drawing nr.

M-05722-00

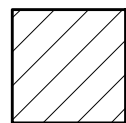
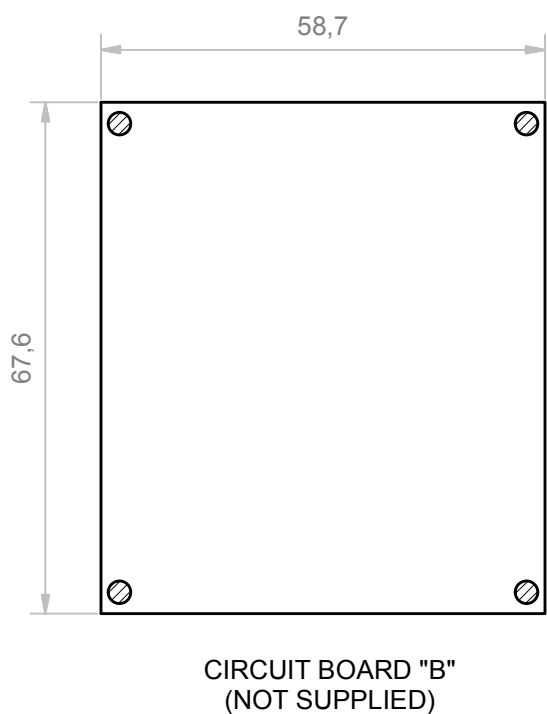
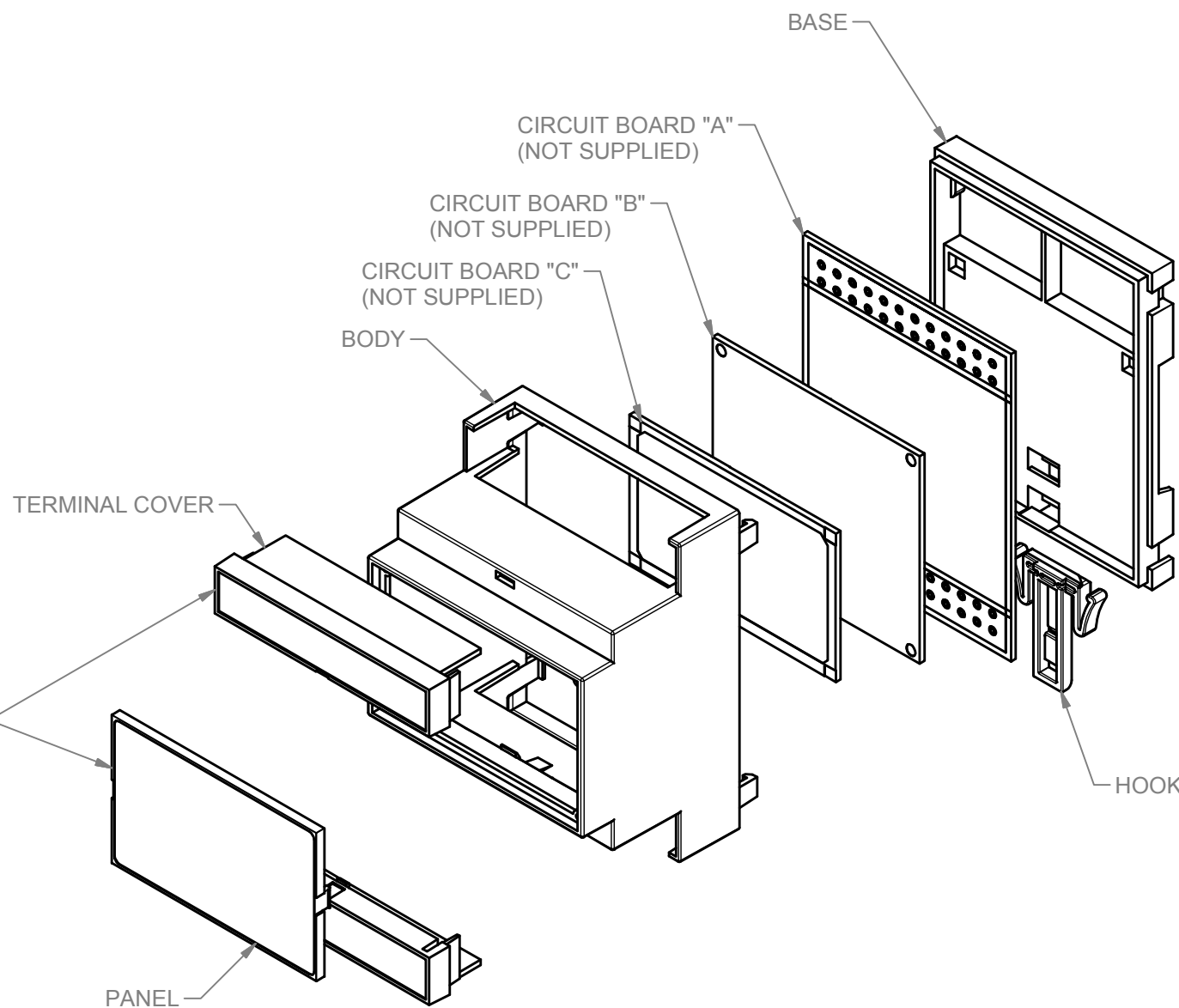
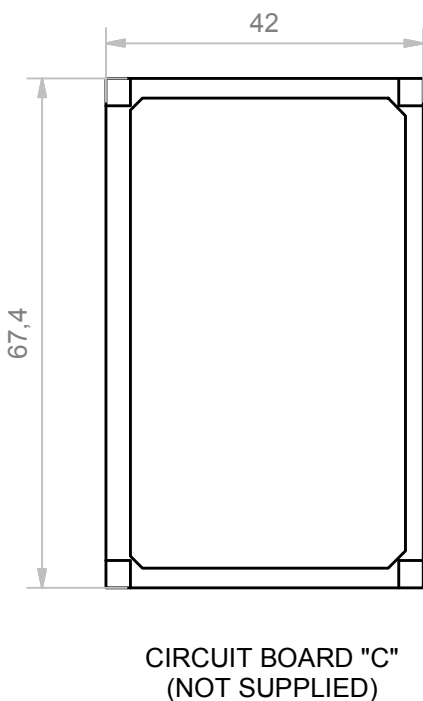
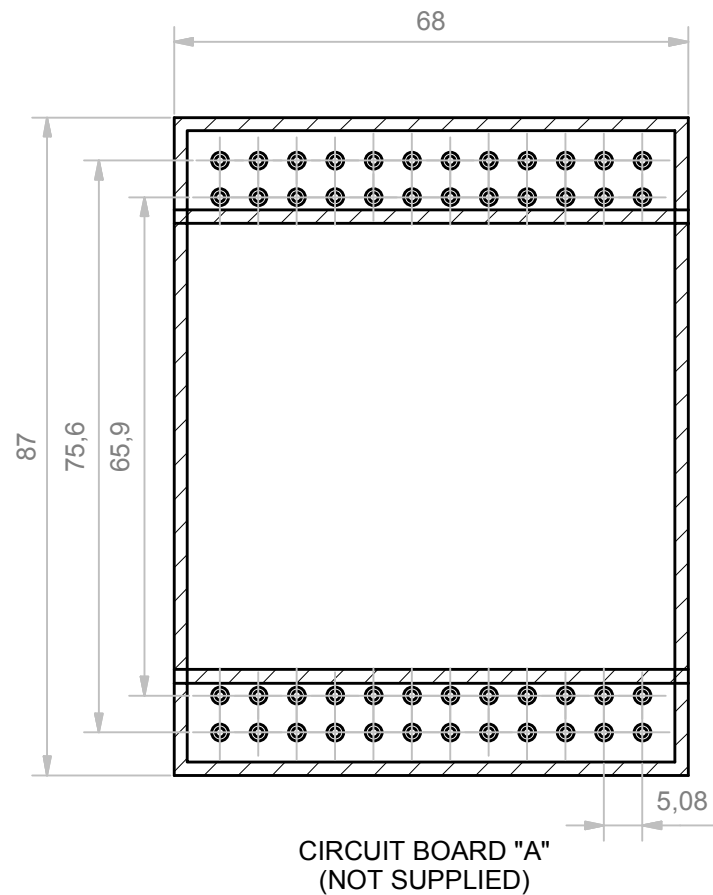
ITALTRONIC S.R.L.
 VIA AUSTRIA 25/D 35127
 PADOVA - ITALY
www.italtronic.com

6 | 5 | 4 | 3 | 2 | 1



TOLERANCE GENERAL PCB ± 0.1 mm

PCB THICKNESS 1.6 mm



ZONE NO COMPONENTS

Da 0,5 a 3	Oltre 3 fino a 6	Oltre 6 fino a 30	Oltre 30 fino a 120	Oltre 120
$\pm 0,1$	$\pm 0,1$	$\pm 0,2$	$\pm 0,3$	$\pm 0,5$

RESERVED PROPERTY The present drawing cannot be reproduced or communicated to 3d parties, even partially, without the authorization of ITALTRONIC Srl. Italtronic reserves to protect its own rights according to the law.	Dimension in mm	SHEET NR. 2 / 2	DRAWING BY GAD Manual modification are not allowed	GENERAL TOLERANCE UNI EN 22768/1 Media (m)
		Date: 17/11/2014	Replace nr.	Revision description
Drawed: Rigato N.	Checked: Dalla Montà D.	Scale: 1:1		

SEE LINK FOR TECHNICAL PCB
<http://www.italtronic.info/download/modulboxone/PCB/>

Denomination:
Contentore completo Modulbox 4MH53
 Complete enclosure Modulbox 4MH53

Plastic+
 UN PARTNER PER IL FUTURO Group
 PLASTIC+
 Italtronic.
 eternovica

ITALTRONIC S.R.L.
 VIA AUSTRIA 25/D 35127
 PADOVA - ITALY
www.italtronic.com

Drawing nr.
M-05722-00