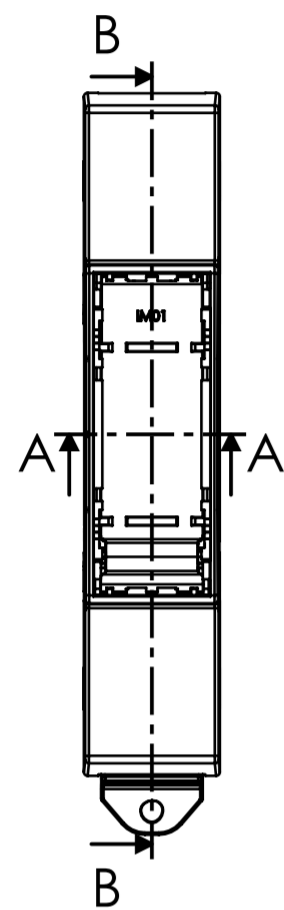
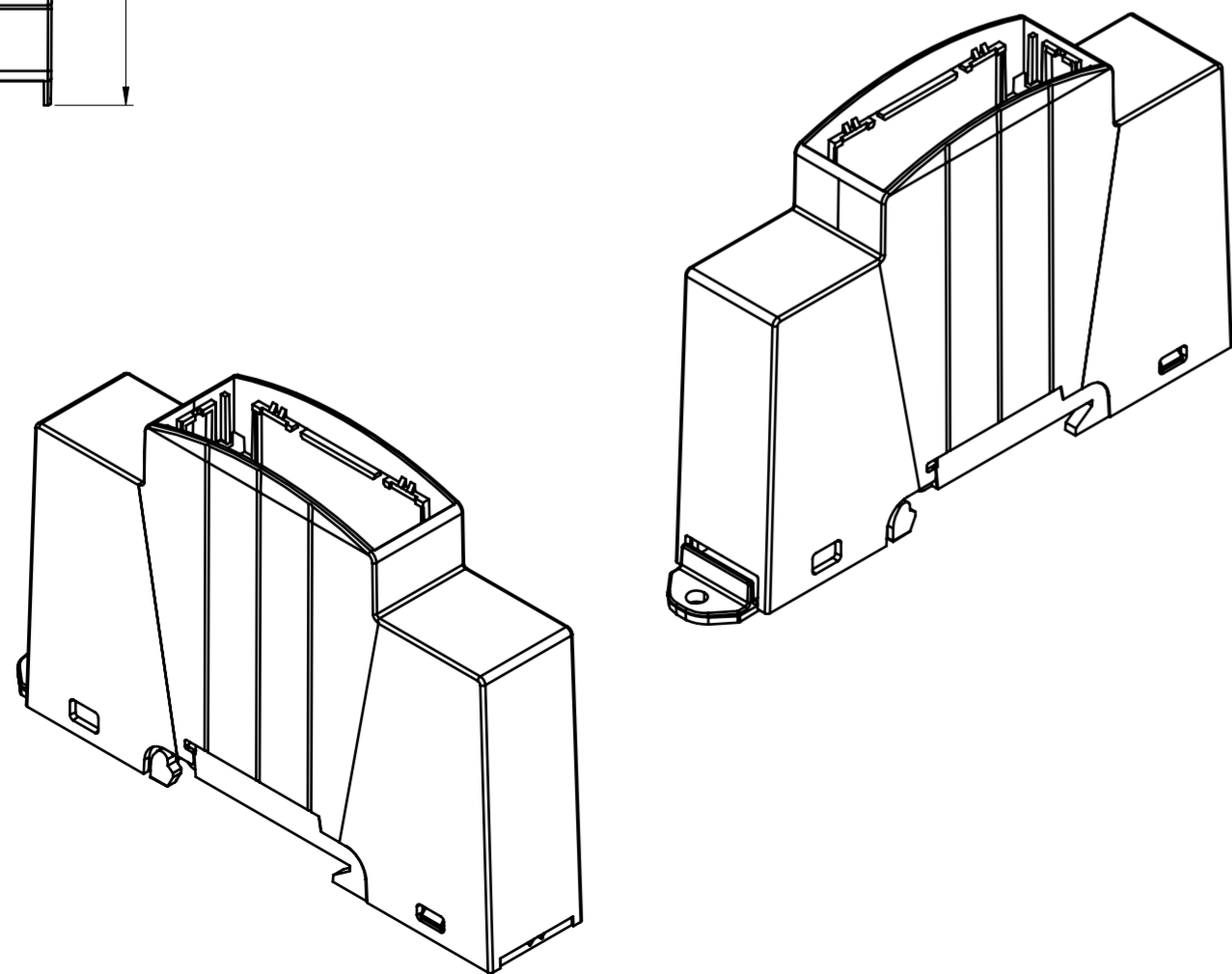
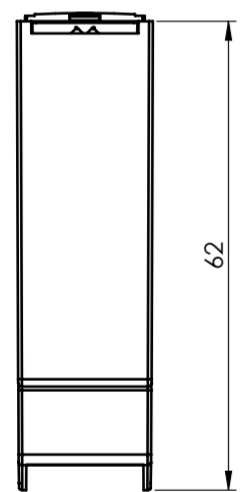
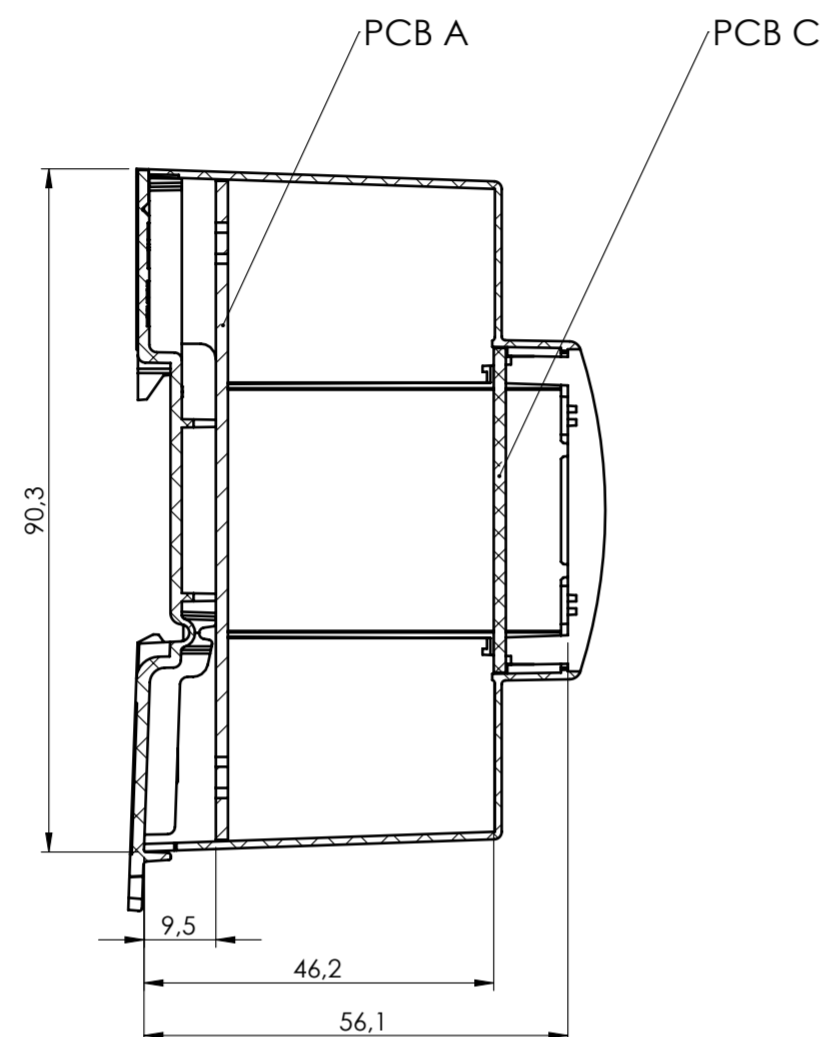


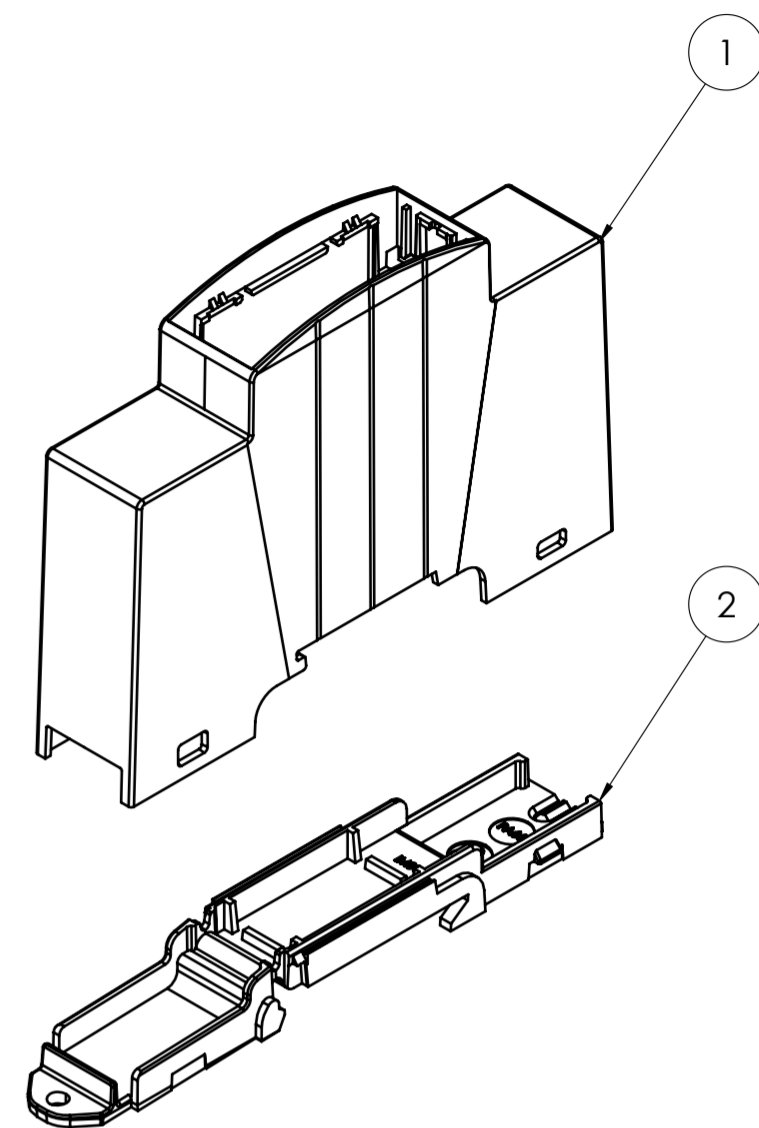
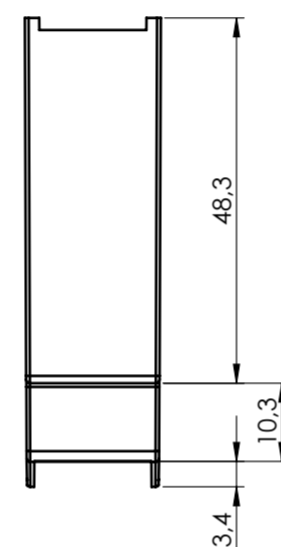
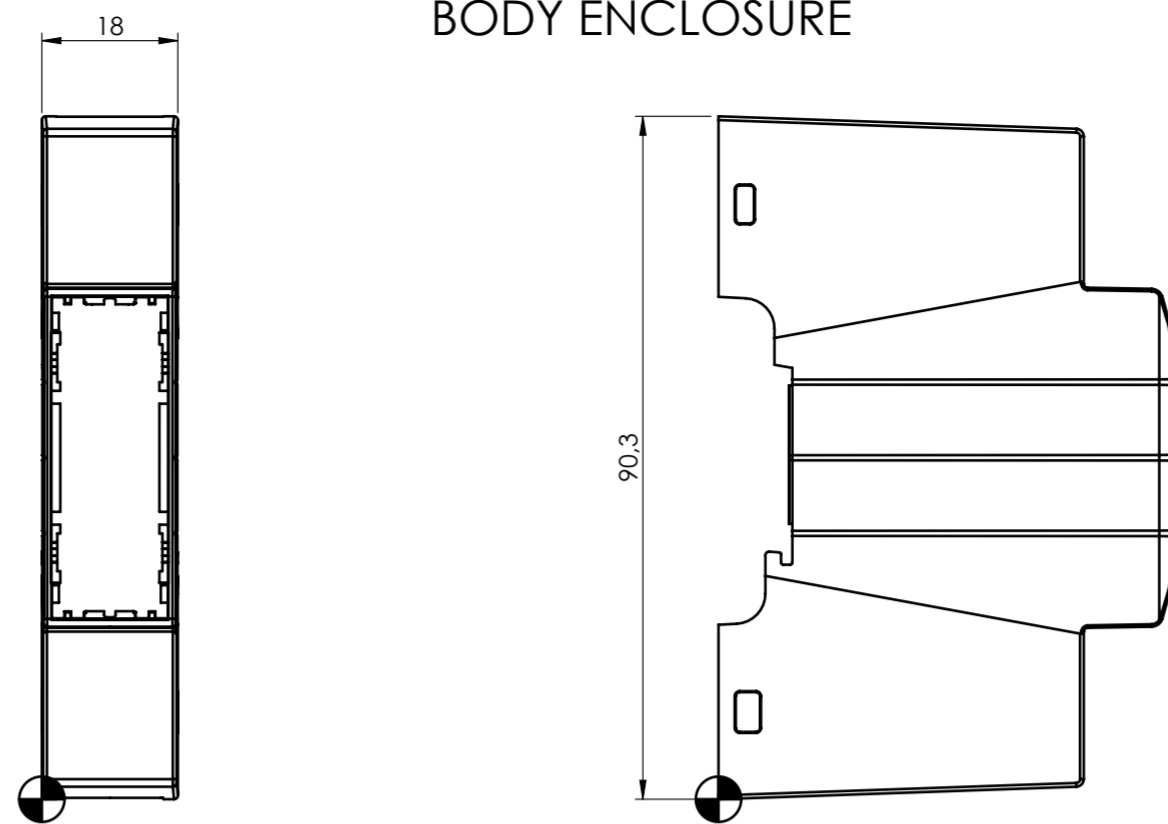
SECTION A-A



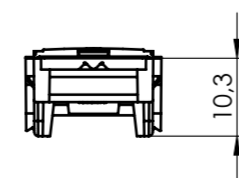
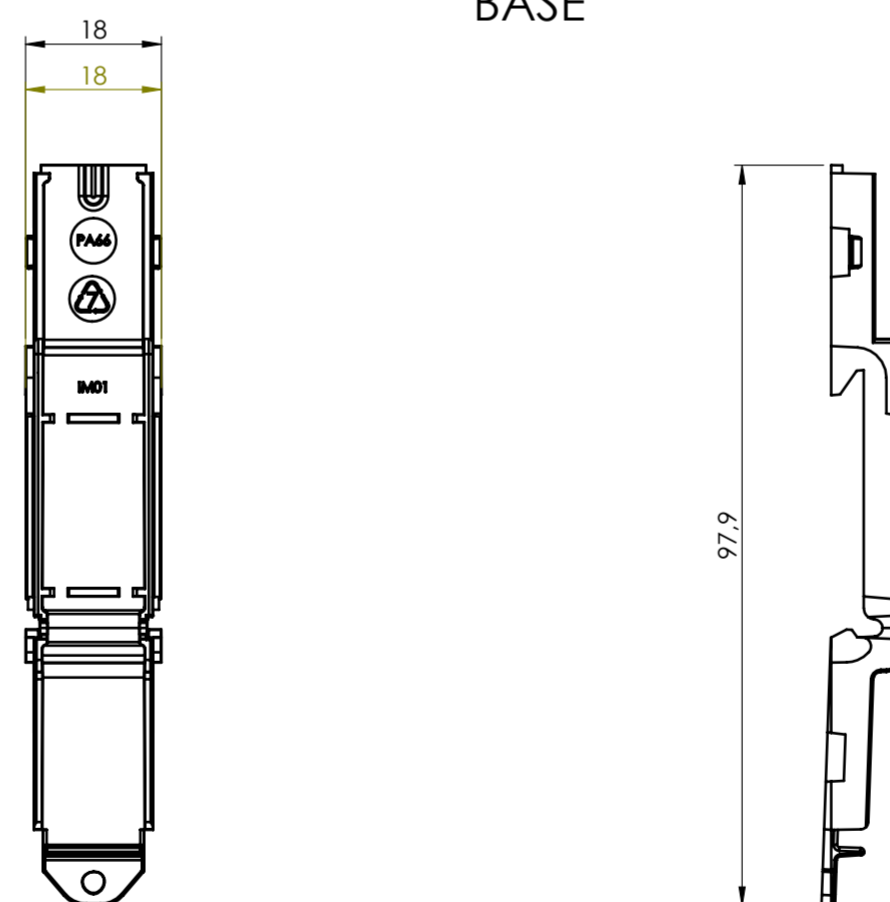
SECTION B-B



BODY ENCLOSURE



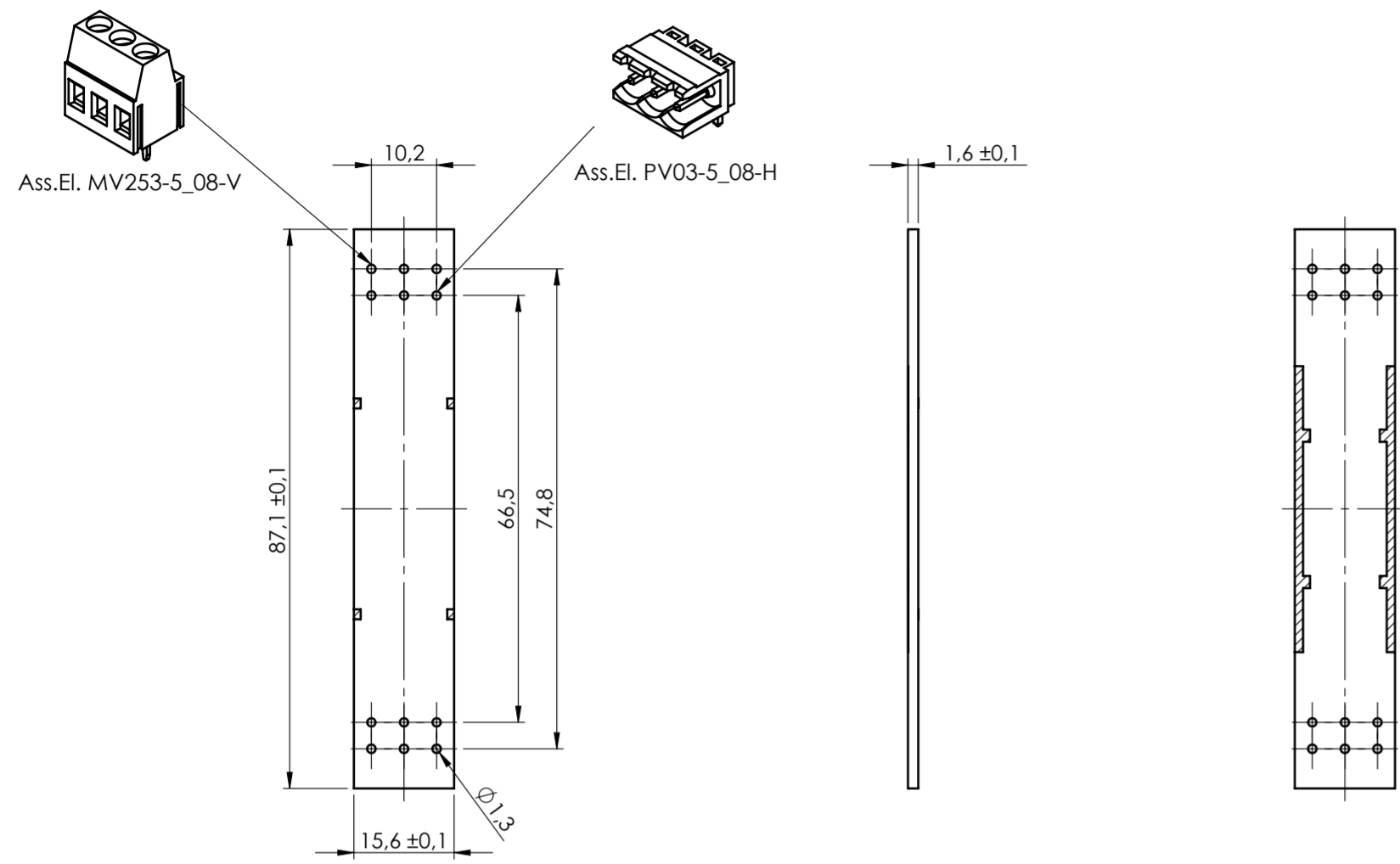
BASE



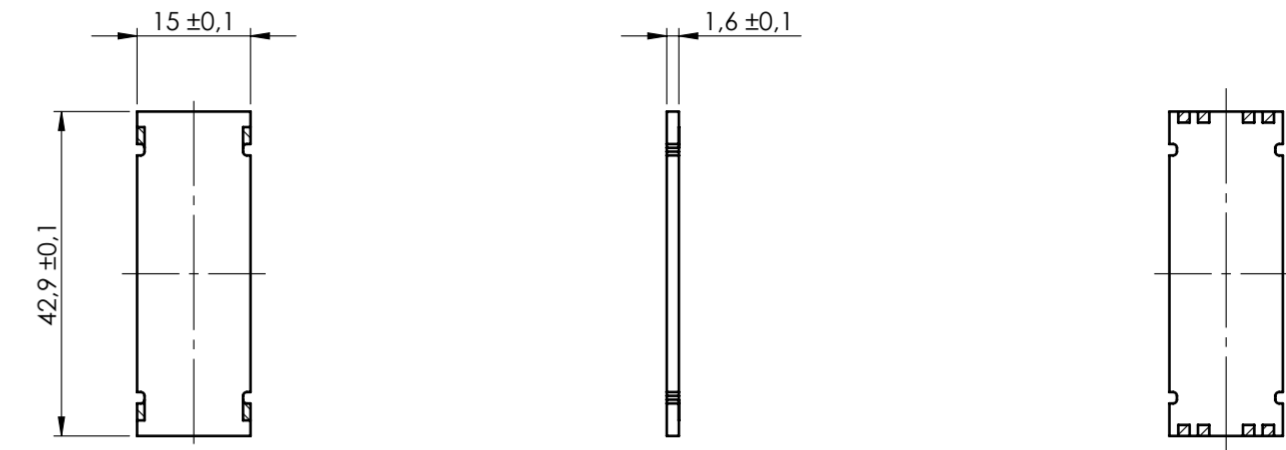
General information:  
 - Workpiece zero point for mechanical processing  
 - Minimum recommended radius for machining = R1.0 mm  
 - Mounting rail like EN 60715: TH 35-7.5 or TH 35-15  
 - Recommended PCB outline on [www.italtronic.com](http://www.italtronic.com)

RIF.	Q.TY	DRAWING	DESCRIPTION		
1	1	2_250_00133	BODY ENCLOSURE MODULBOX XTS 1M53-C		
2	1	2_250_00092	BASE MODULBOX XTS 1M		
General Tolerance UNI EN 22768/1 Media (m)					
from 0.5 to 3 ± 0.1	from 3 to 6 ± 0.1	from 6 to 30 ± 0.2	from 30 to 120 ± 0.3	from 120 to 400 ± 0.5	Sheet: 1
Scale:	Drawn:	Checked:	Date:	Material:	Process:
1:1	R.N.	R.N.	03/05/2022		
Dimension in mm	Derived from:		Weight:	Cod. Mold:	
	---		gr	---	
 enclosures for electronics <a href="http://italtronic.com">italtronic.com</a>			Description: KIT CONTENITORE MODULBOX XTS 1M53-C KIT ENCLOSURE MODULBOX XTS 1M53-C Drawing nr.: <b>3_250_00080</b>		
				Rev.:	A2
				-	

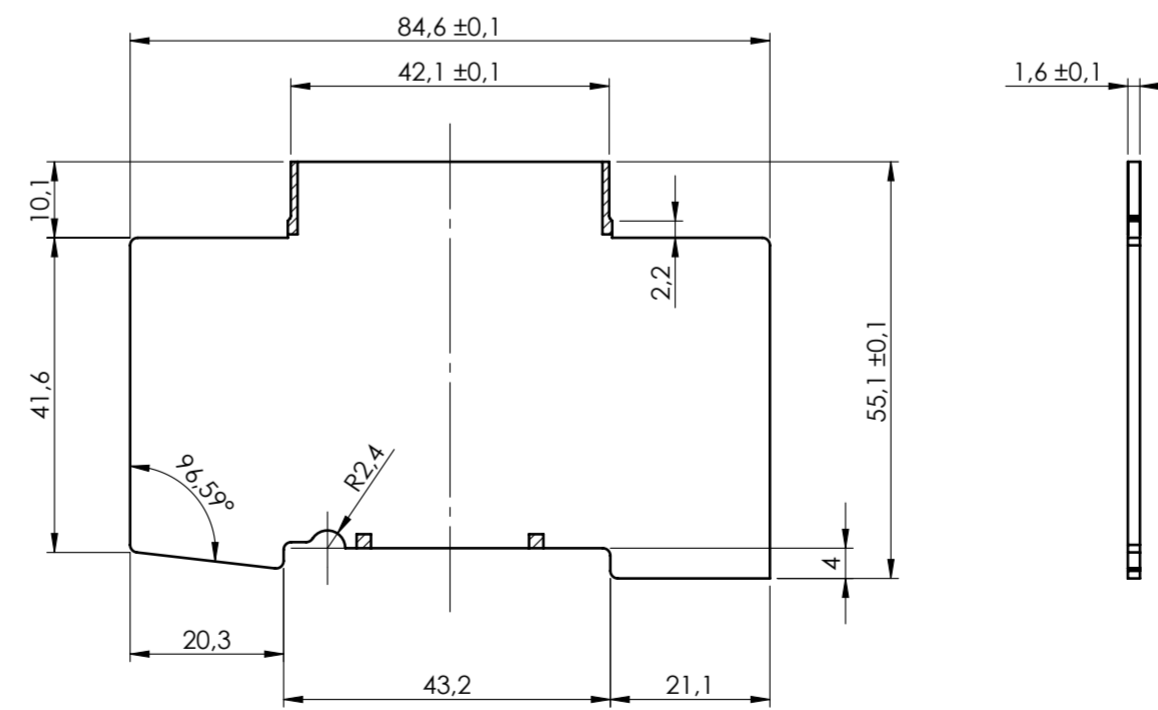
PCB A



PCB C



PCB V



NO COMPONENTS AREA

General Tolerance UNI EN 22768/1 Media (m)					Sheet:
from 0.5 to 3 ± 0.1	from 3 to 6 ± 0.1	from 6 to 30 ± 0.2	from 30 to 120 ± 0.3	from 120 to 400 ± 0.5	PCB
Scale:	Drawn:	Checked:	Date:	Material:	Process:
1:1	R.N.	R.N.	03/05/2022		
Dimension in mm		Derived from:	Weight:	Cod. Mold:	
		--	gr	--	
 enclosures for electronics italtronic.com		Description: KIT CONTENITORE MODULBOX XTS 1M53-C KIT ENCLOSURE MODULBOX XTS 1M53-C			Rev.:
		Drawing nr.:			A2
		3_250_00080			-