
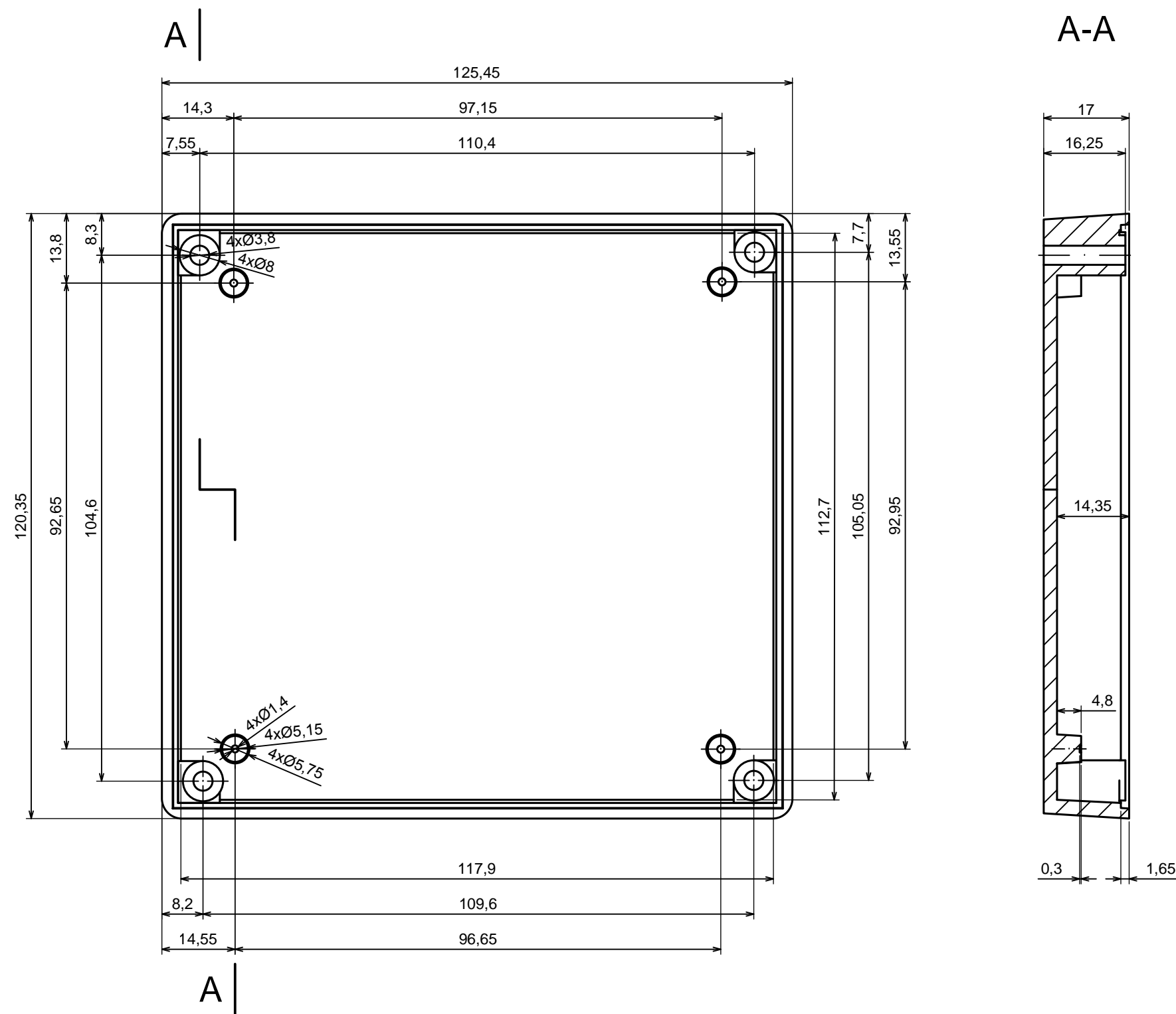

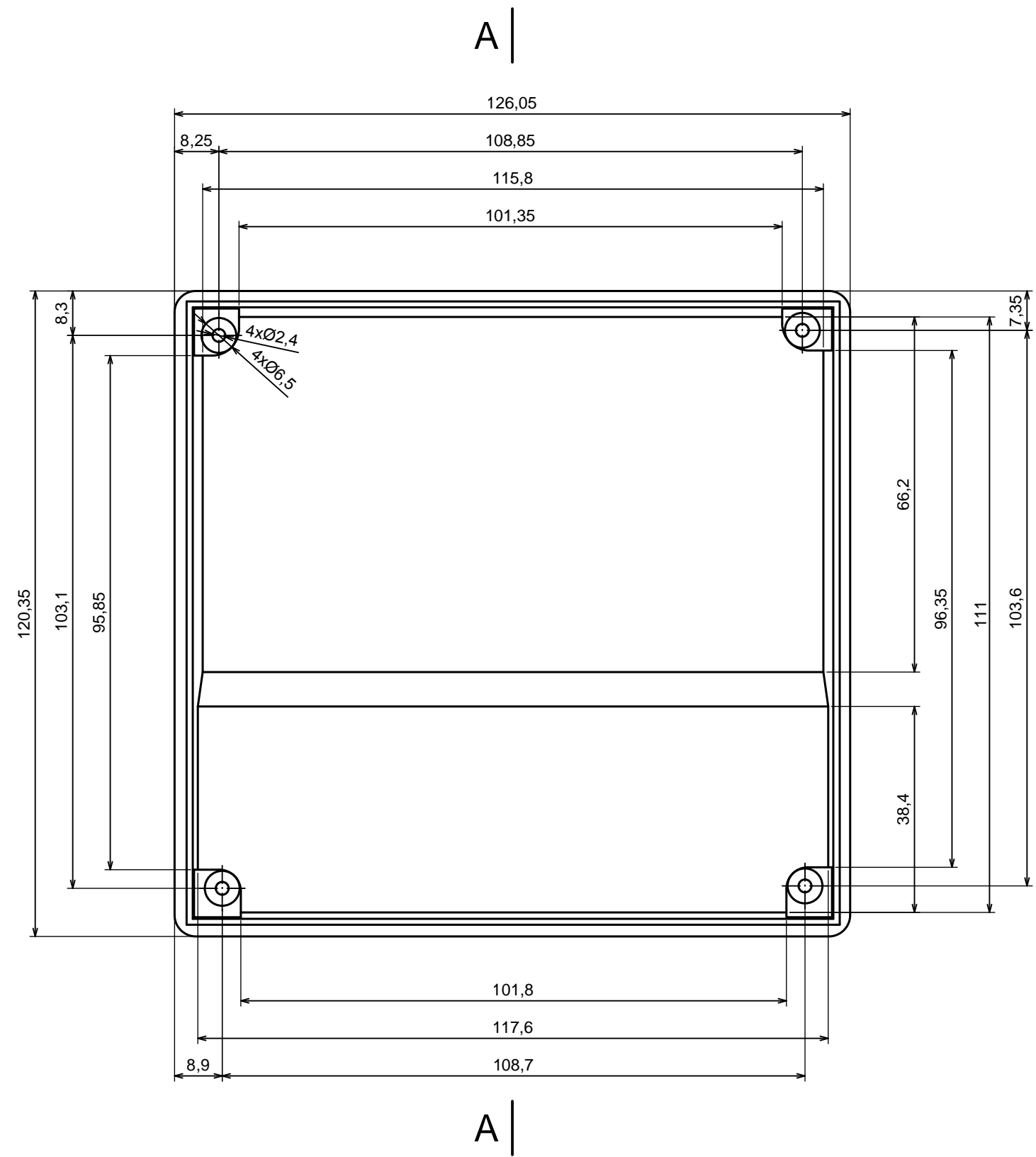


All rights reserved, Copyright Kradex 2016		
Product model	Enclosure Z20 - assembly	
Format: A3	Material: PS, ABS	
Scale 1:1	Tolerance: +/- 0,8	

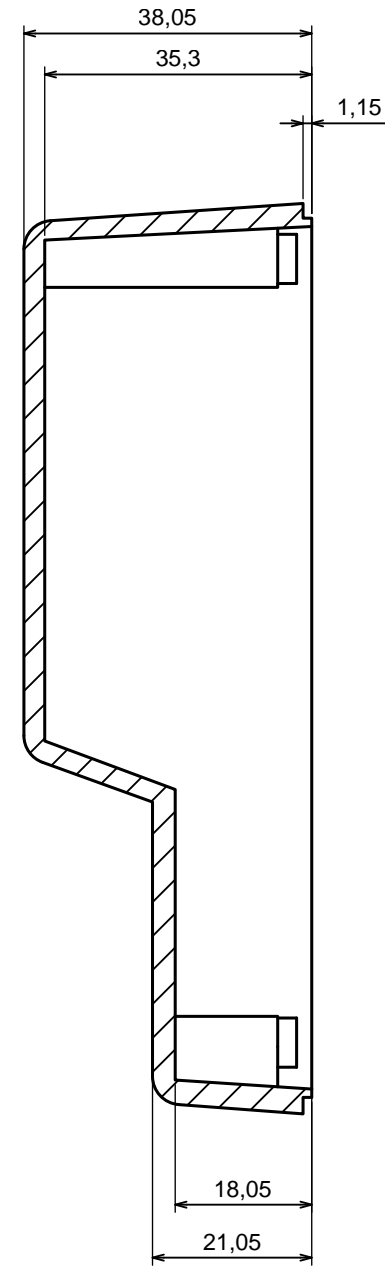


All rights reserved, Copyright Kradox 2016

Product model	Enclosure Z20 - base	
Format: A3	Material: PS, ABS	
Scale 1:1	Tolerance: +/- 0.8	



A-A



All rights reserved, Copyright Kradox 2016

Product model: Enclosure Z20 - cover

Format: A3 | Material: PS, ABS

Scale 1:1 | Tolerance: +/- 0.8

