
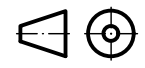
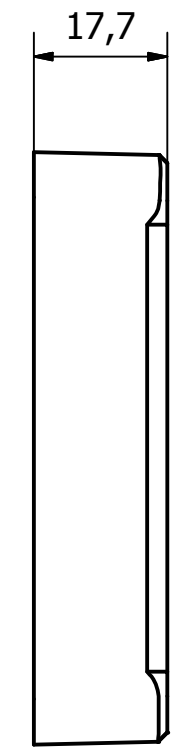
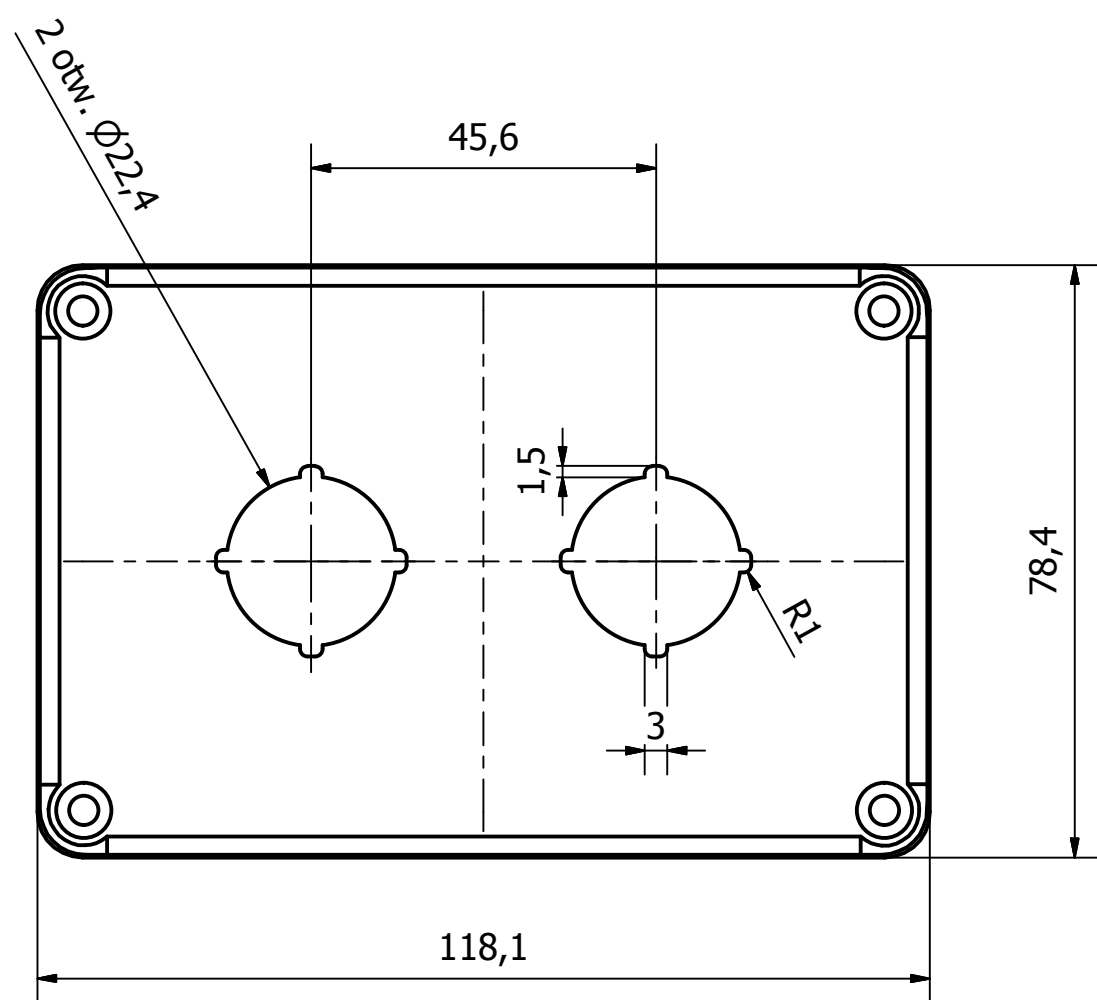


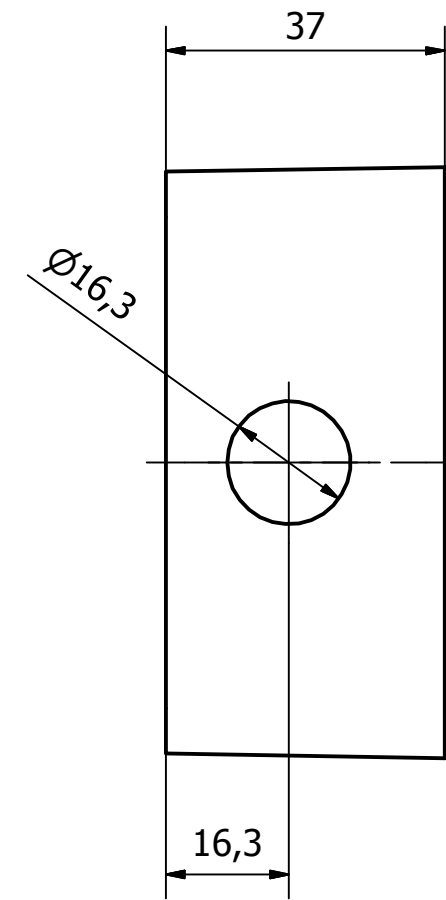
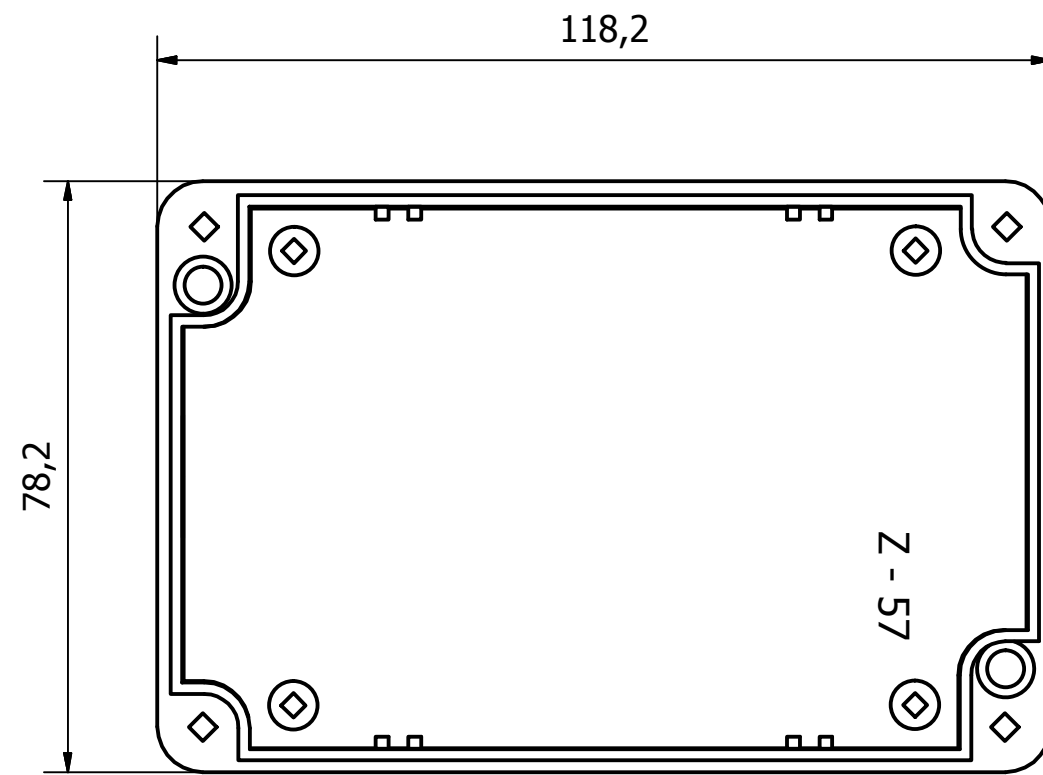



PARTS LIST			
ITEM	QTY	PART NAME	Link URL
1	1	Z57 - Assemble	<a href="https://www.kradex.com.pl/products/900/Z57.pdf">https://www.kradex.com.pl/products/900/Z57.pdf</a>
2	1	Gland M16	<a href="https://www.kradex.com.pl/products/1102/D%C5%82awnica.pdf">https://www.kradex.com.pl/products/1102/D%C5%82awnica.pdf</a>
3	1	Gasket	<a href="https://www.kradex.com.pl/product/akcesoria/uszczelka?lang=pl">https://www.kradex.com.pl/product/akcesoria/uszczelka?lang=pl</a>

TITLE		ZEB118.78.55-2		PART	Assemble	MATERIAL	
Design by:	Kruhlianytsia O.	Sig.		Desing Date:	2023-03-22		
Approved by:	Drzazgowski M.	Sig.		Approved Date:	2023-06-14		
		All rights reserved, Copyright Kradex 2023			FORMAT		
		SCALE		UNIT	PROJECTION	SHEET	
1 : 1		mm				1/3	



TITLE		ZEB118.78.55-2		PART	Cover	MATERIAL	ABS
Design by:	Kruhlianytsia O.	Sig.		Desing Date:	2023-03-22		
Approved by:	Drzazgowski M.	Sig.		Approved Date:	2023-06-14		
		All rights reserved, Copyright Kradex 2023				FORMAT	A3
		SCALE	1 : 1	UNIT	mm	PROJECTION	



TITLE		ZEB118.78.55-2		PART	Base	MATERIAL	ABS
Design by:	Kruhlianytsia O.	Sig.		Desing Date:	2023-03-22		
Approved by:	Drzazgowski M.	Sig.		Approved Date:	2023-06-14		
		All rights reserved, Copyright Kradex 2023				FORMAT	A3
		SCALE	1 : 1	UNIT	mm	PROJECTION	