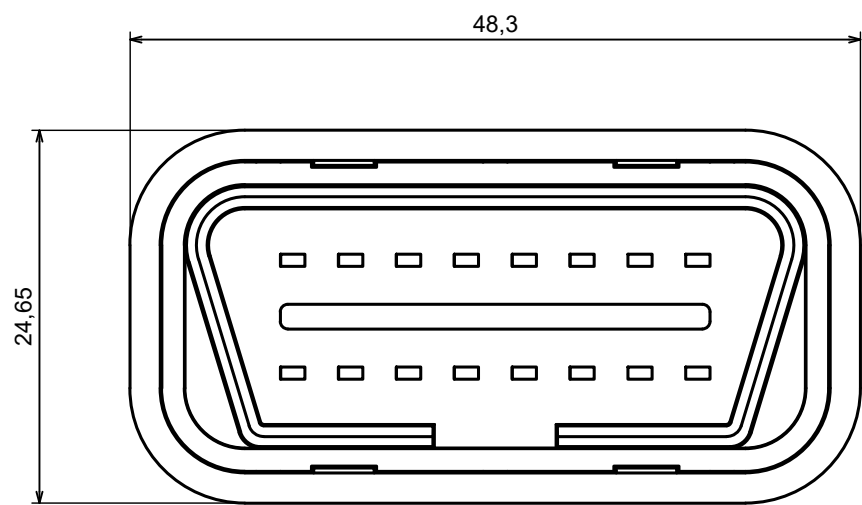
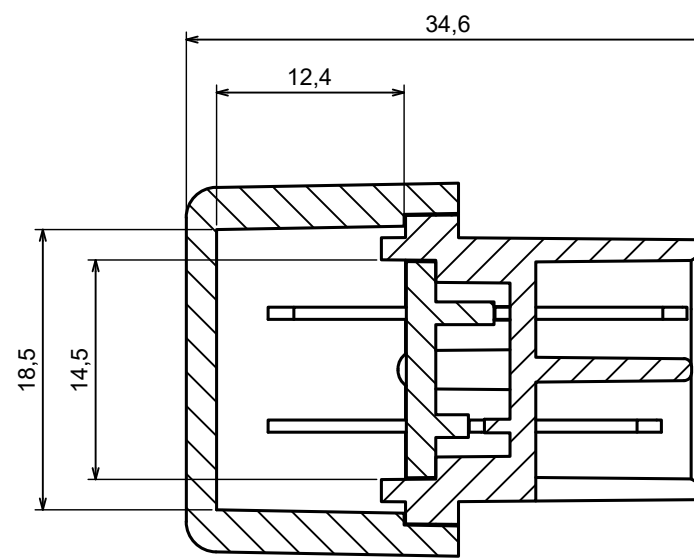



A |



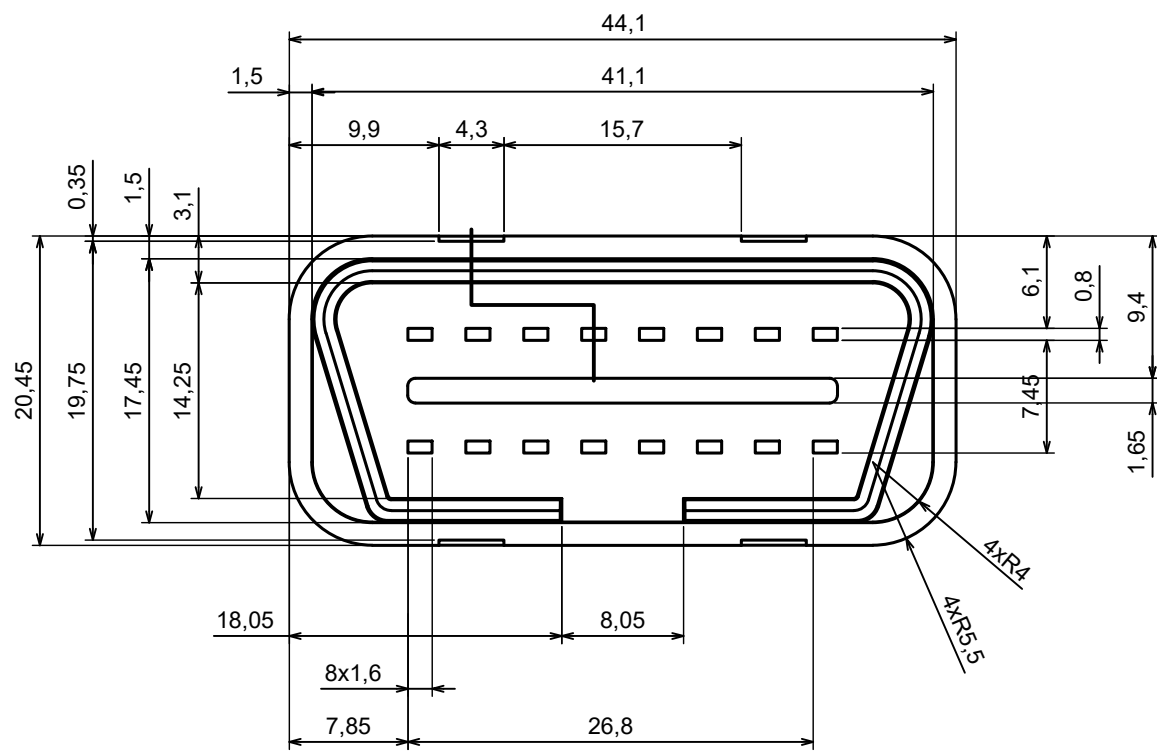
A |

A-A

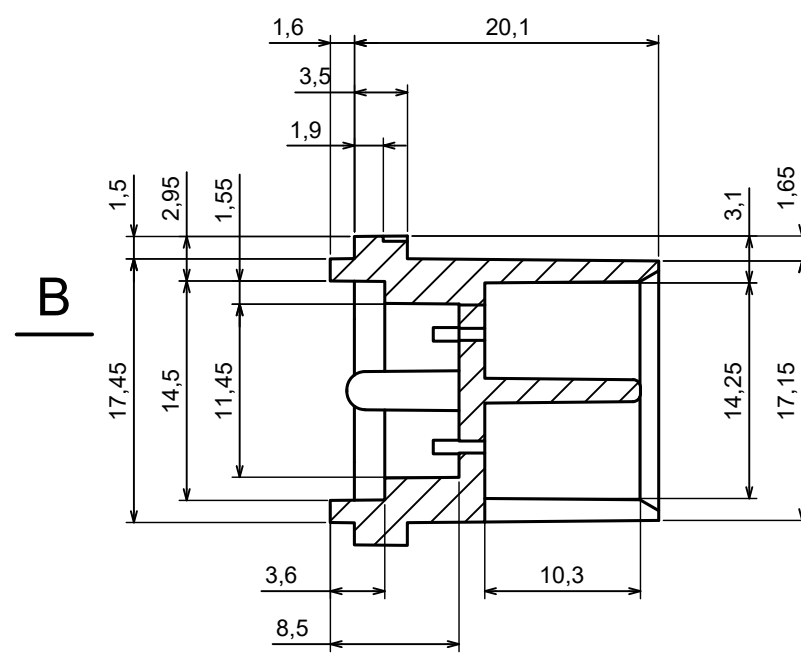


All rights reserved, Copyright Kradox 2023		
Product model	ZOBD MINI SET Assembly	
Format: A3	Material: ABS	
Scale 2:1	Tolerance: +/- 0.5	

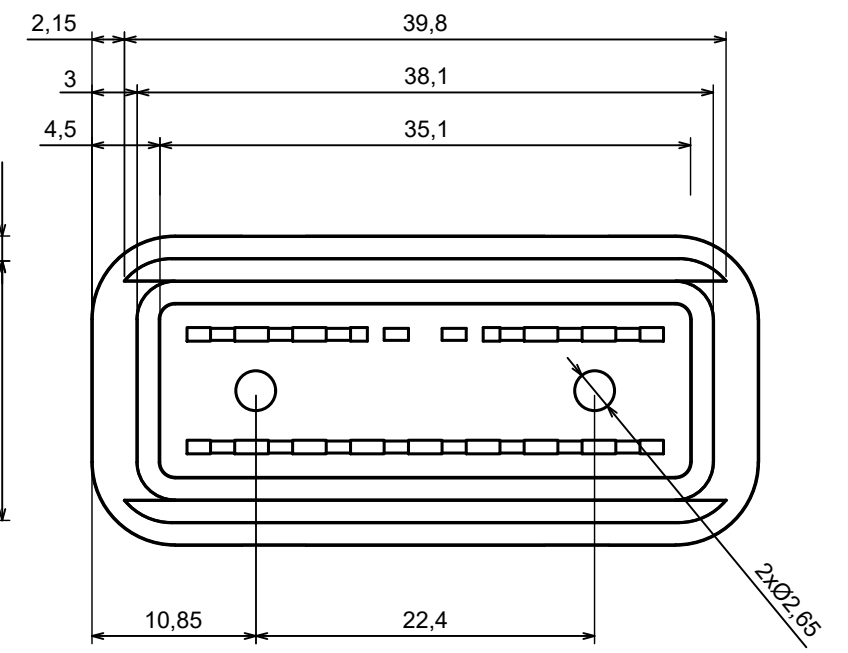
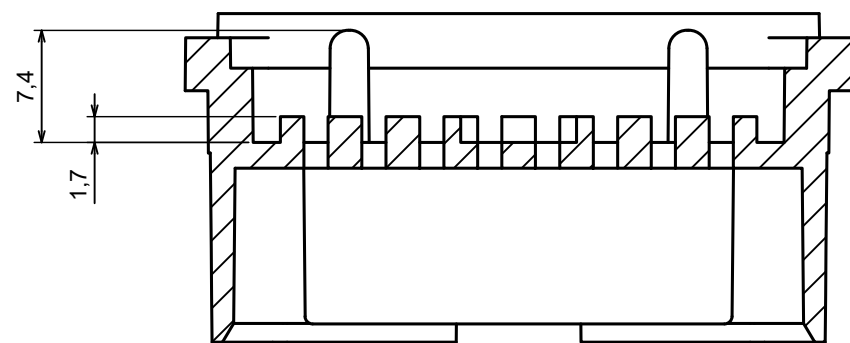
A |



A-A



A |
B-B



All rights reserved, Copyright Kradex 2023

Product model ZOBD CAP PLUG

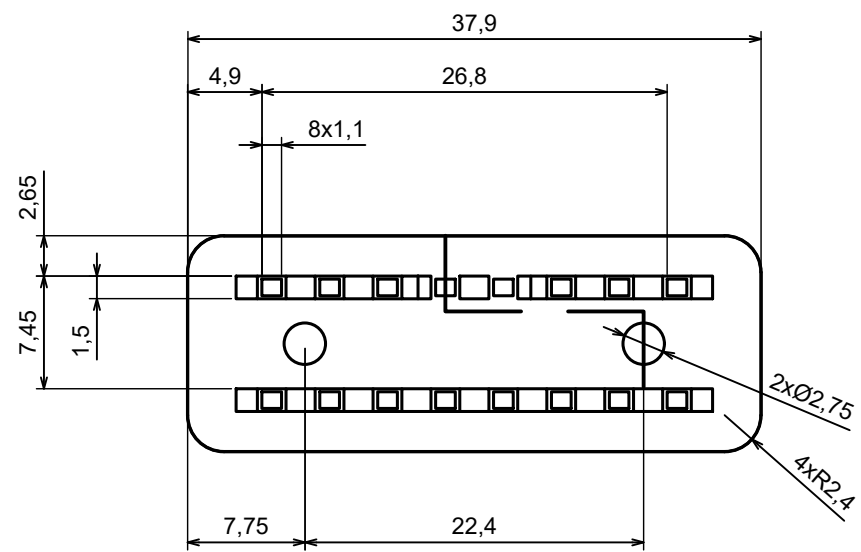
Format: A3 Material: ABS

Scale 2:1 Tolerance: +/- 0.5



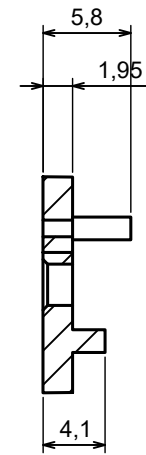



A |

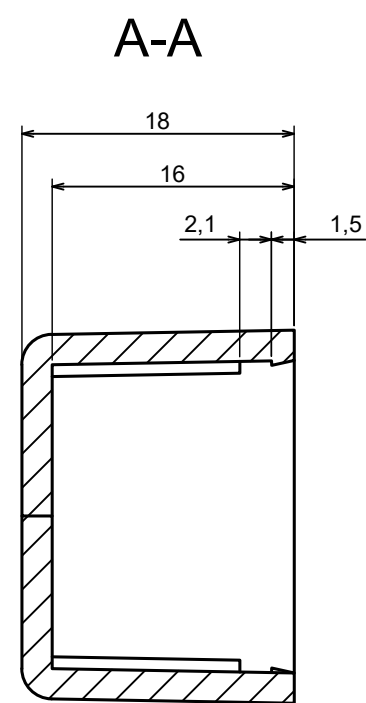
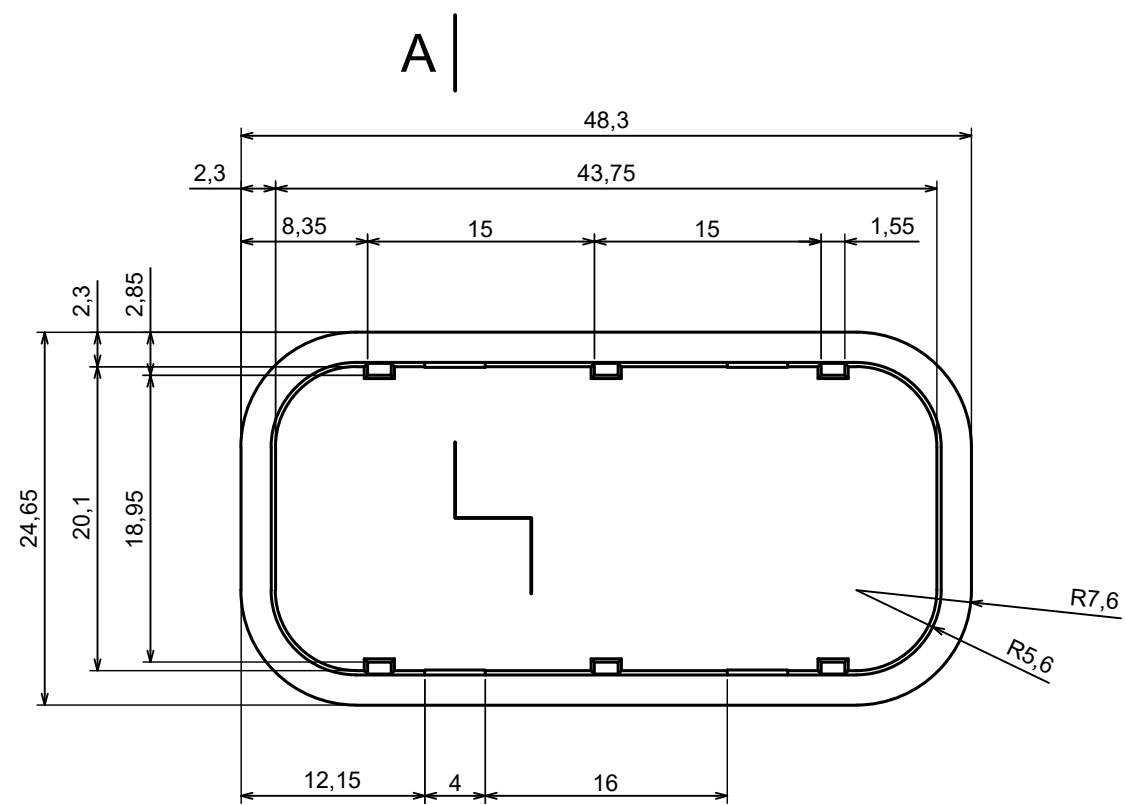


A |


A-A

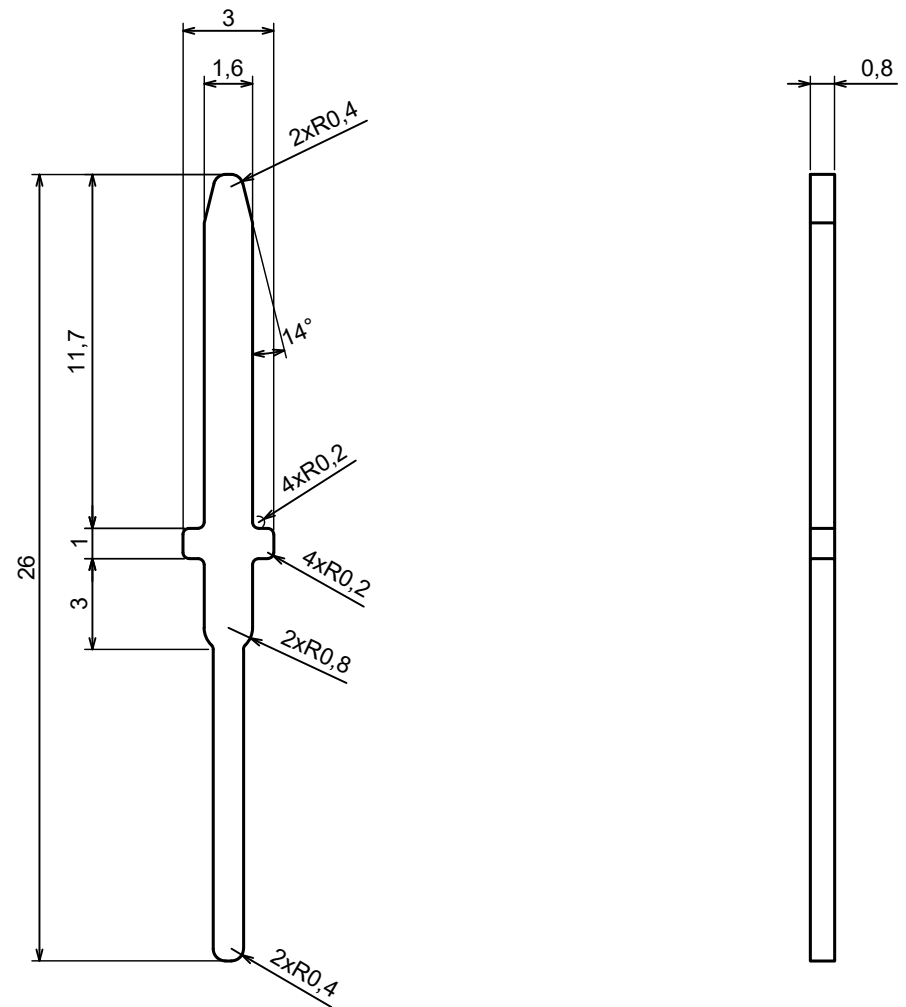


All rights reserved, Copyright Kradox 2023		
Product model	ZOBD CAP PLUG CAP	
Format: A3	Material: ABS	
Scale 2:1	Tolerance: +/- 0.5	



A |

All rights reserved, Copyright Kradox 2023		
Product model	ZOBD MINI	
Format: A3	Material: ABS	
Scale 2:1	Tolerance: +/- 0.5	



All rights reserved, Copyright Kradex 2023

Product model ZOBd CAP PLUG PIN

Format: A3 Material: b6z6

Scale 4:1 Tolerance: +/- 0.5

