



PRODUCT SPECIFICATION

Model No.: FYL-5024IRCC1A-10

Descriptions:
■ Dice material: AlGaAs.
■ Emitting Color: Infrared.
■ Device Outline: Φ5mm round type.
■ Lens Type: Water clear.



CUSTOMER APPROVED SIGNATURES	APPROVED BY	SALES BY	PREPARED BY
			

NINGBO FORYARD OPTOELECTRONICS CO.,LTD.

Add:NO.115 Qixin Road Ningbo Zhejiang China

Zip:315051

Tel: 0086-574-87933652 87927870 87922206

Fax: 0086-574-87927917

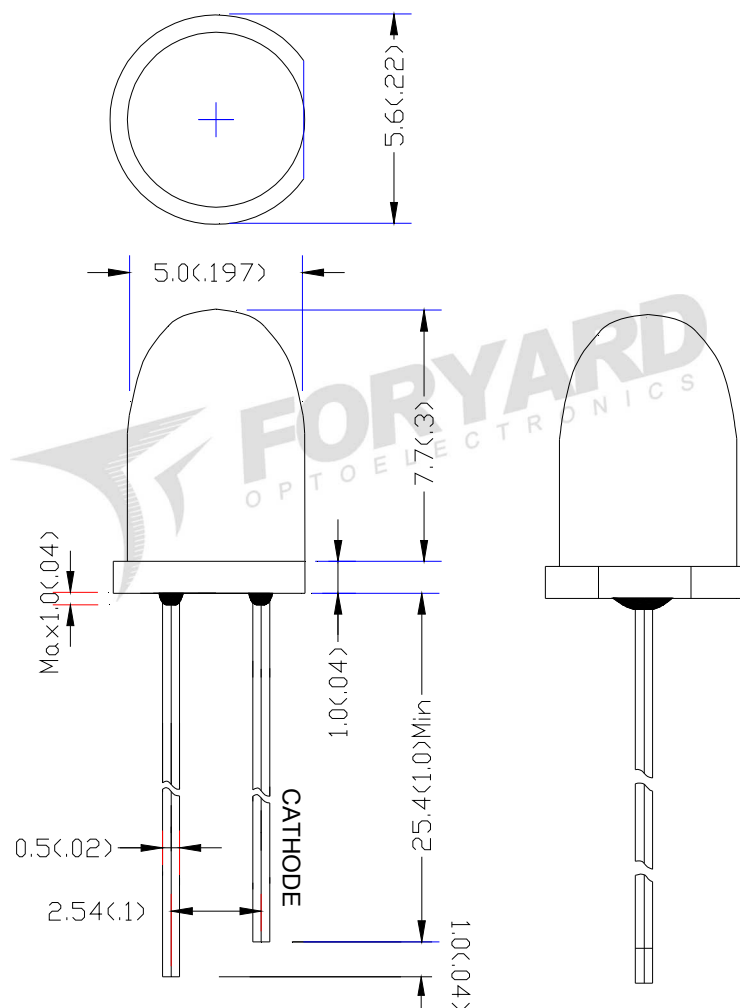
E-mail: Sales@foryard.com (General)

[Http://www.foryard.com](http://www.foryard.com)

■ Applications

1. PCB mounted infrared sensor.
2. Infrared emitting for miniature light barrier.
3. Floppy disk drive.
4. Optoelectronic switch.
5. Smoke detector.

■ Package configuration



Notes:

1. All dimensions are millimeters (inches)
2. Tolerance is $\pm 0.25\text{mm}$ (0.010") unless otherwise noted.
3. The specifications, characteristics and technical data described in the datasheet are subject to change without prior notice.

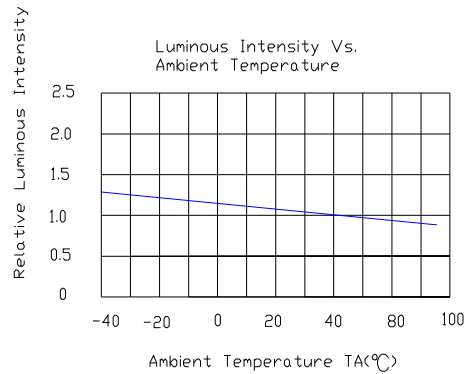
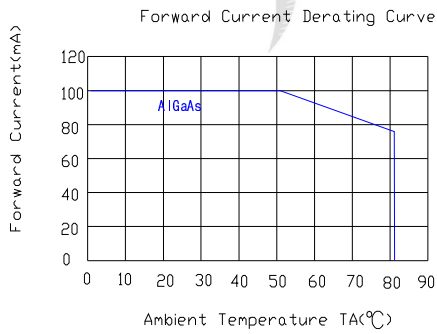
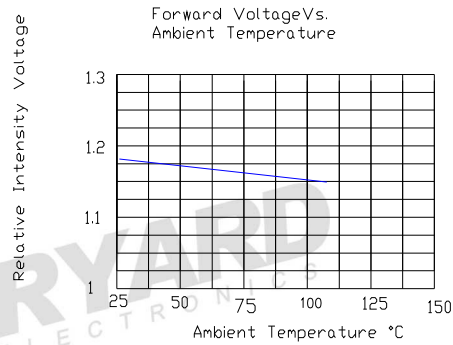
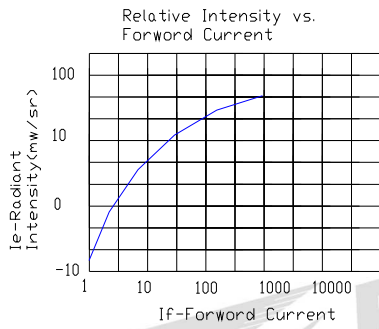
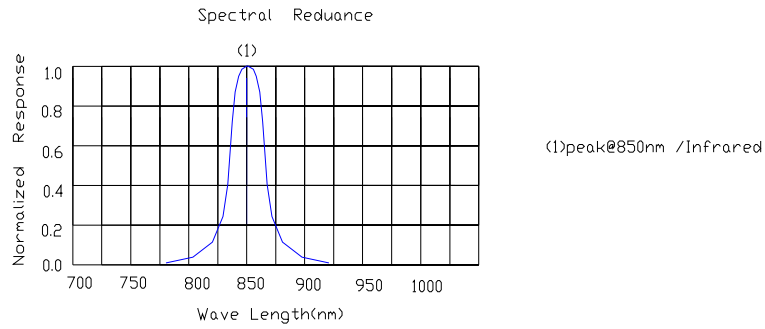
■ Absolute maximum ratings(Ta=25° c)

Parameter	Symbol	Test Condition	MAX.	Unit
Power Dissipation	pd	-	100	mW
Forward Current	IFM	Duty=0.01ms 1khz	1000	mA
Reverse Voltage	VR	IR=10UA	9	V
Operating Temperature Range		-40°C to +85°C		
Storage Temperature Range		-40°C to +100°C		
Lead Soldering Temperature[4mm(.157") From Body]		260°C for 5 Seconds		

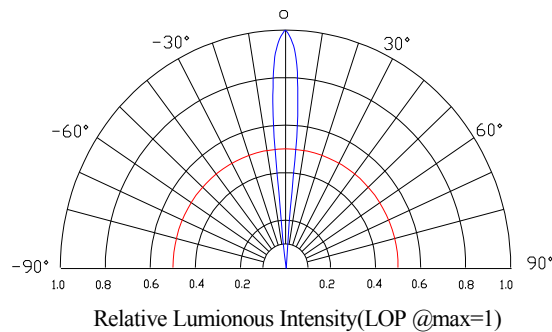
■ Electrical and optical characteristics(Ta=25° c)

Parameter	Symbol	Min.	Typ.	Max.	Unit	Test Condition
Radiant Intensity	Ee	20	40	-	mW/sr	IF=50mA
Viewing Angle	2θ1/2	-	10	-	Deg	
Peak Emission Wavelength	λp	-	850	-	nm	
Spectral Line Half-Width	Δλ	40	45	50	nm	
Forward Voltage	VF	-	1.5	1.7	V	
Reverse Current				10	uA	5 V

■ **Typical Electrical Characteristics Curves**
(25 °c Ambient Temperature Unless Otherwise Noted)

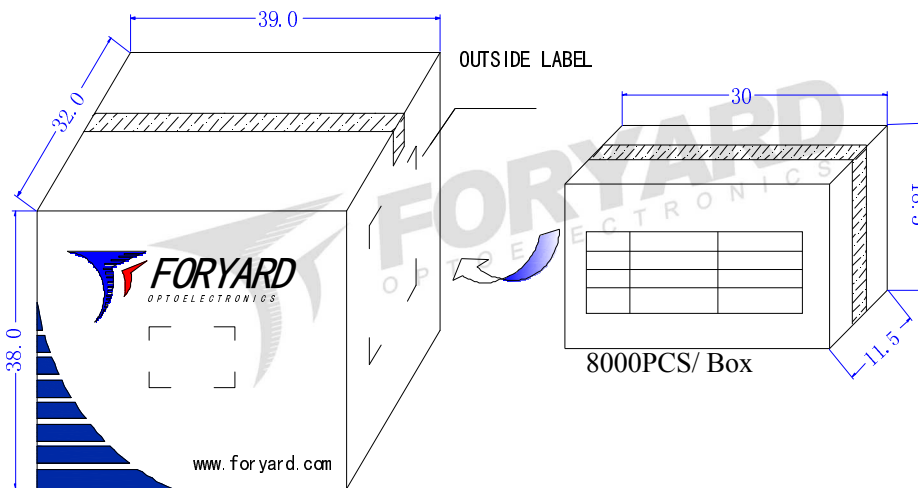
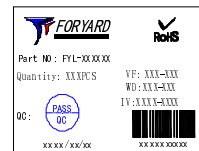
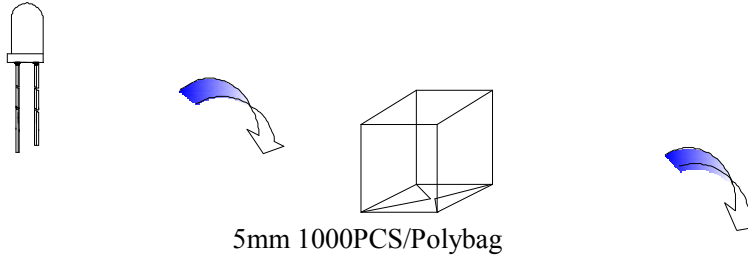


Radiation pattern.



Model No.	FYL-5024IRCC1A-10
Date / Rev.	2018.06.29 / A

■ LAMP PACKING.



OUTSIDE LABEL