



Specification

Client Name: _____

Client P/N: _____

Wenrun P/N: WR-PB2012UE-U1A-CO

Date: _____

Customer confirm	Approved by	Checked by	Issued by
			魏明

Part No.	WR-PB2012UE-U1A-CO		
Emitted Color	High Super Red	Len's Color	Water Clear
Chip Material	AlGaInP	--	--

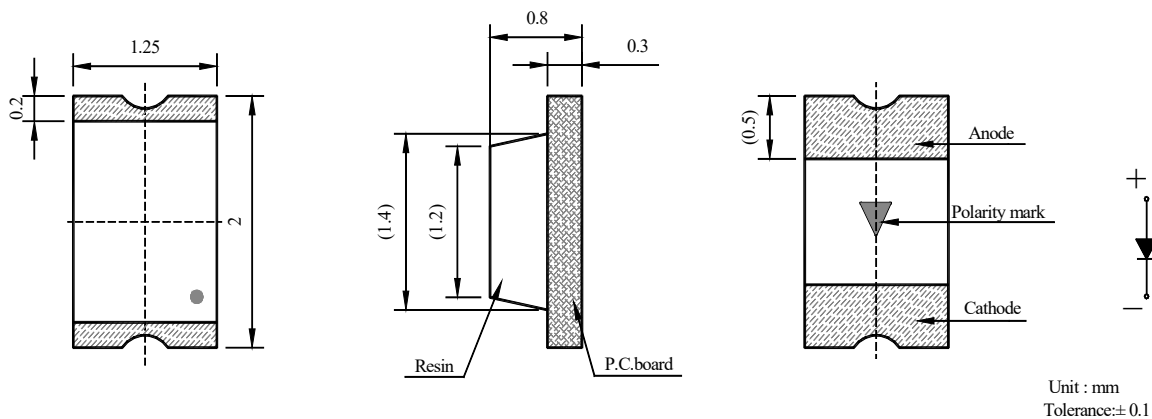
◆ Features:

Compatible with automatic placement equipment
 Compatible with reflow solder process
 Low power consumption and wide viewing angle
 This product doesn't contain restriction Substance, comply ROHS standard.

◆ Applications:

Automotive and Telecommunication
 Flat backlight for LCD ,switch and symbol in telephone and fax
 General use for indicators

◆ Package Dimensions:



Electrodes: Au Plating
 Encapsulating Resin: Epoxy Resin
 Package: BT Resin

◆ Absolute Maximum Rating (Ta=25°C)

Parameter	Symbol	Max.	Unit
Power Dissipation	P _D	60	mW
Pulse Forward Current	I _{FP}	60	mA
DC Forward Current	I _F	25	mA
Reverse Voltage	V _R	5	V
Operating Temperature Range	T _{opr}	-40°C~85°C	°C
Storage Temperature Range	T _{stg}	-40°C~85°C	°C

* I_{FP} condition: pulse width ≤0.1ms ,duty cycle ≤1/10

◆ Electrical Optical Characteristics (Ta=25°C)

Parameter	Symbol	Min	Typ.	Max.	Unit	Test Condition
Luminous Intensity	I _v	--	90	--	mcd	I _F =15mA
Forward Voltage	V _F	--	2.0	--	V	I _F =15mA
Reverse Current	I _R	--	--	10	uA	V _R =5V
Dominant Wavelength	λ _d	--	622	--	nm	I _F =15mA
Spectral Line Half Width	Δλ	--	30	--	nm	I _F =15mA
Viewing Angle	2θ _{1/2}	--	120	--	Deg.	I _F =15mA

Notes: 1.Tolerance of Luminous Intensity ±10%

2.Tolerance of Dominant Wavelength ±2nm

3. Tolerance of Forward Voltage ±0.05V

4. Luminous Intensity is measured by WENRUN's equipment on bare chips

◆ BIN range

Luminous intensity (tolerance is $\pm 10\%$ @ $I_f=15\text{mA}$):

BIN CODE	Min.(mcd)	Max. (mcd)
K	60	80
L	80	100
M	100	130
N	130	160

Dominant Wavelength (tolerance is $\pm 2\text{nm}$ @ $I_f=15\text{mA}$):

BIN CODE	Min.(nm)	Max. (nm)
J	619	622
K	622	625

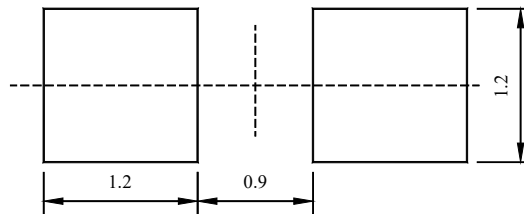
Forward voltage (tolerance is $\pm 0.05\text{V}$ @ $I_f=15\text{mA}$):

BIN CODE	Min.(V)	Max. (V)
G	1.9	2.0
H	2.0	2.1
J	2.1	2.2

◆ Package Label: (For example)

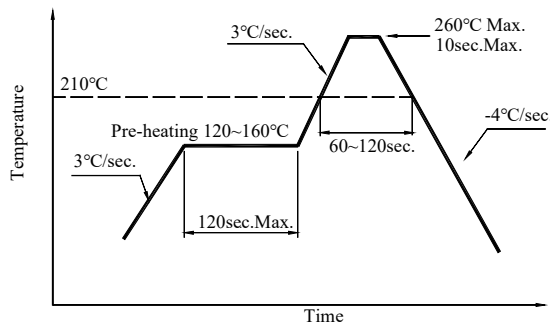
CHIP LED	ROHS	← LED Type
TYPE: WR-PBXXXXXX-XXX		← Part No.
VF: 3.2~3.3	v	← Parameter
IV: 16000~20000	mcd	← Classing
XY: W96	For 150 mA	
Q'TY: 2000	PCS	← Quantity
LOT NO: 12122502-008-130110		← Lot No.
ST: 282A1037384639		

◆ Soldering Pad Dimensions:



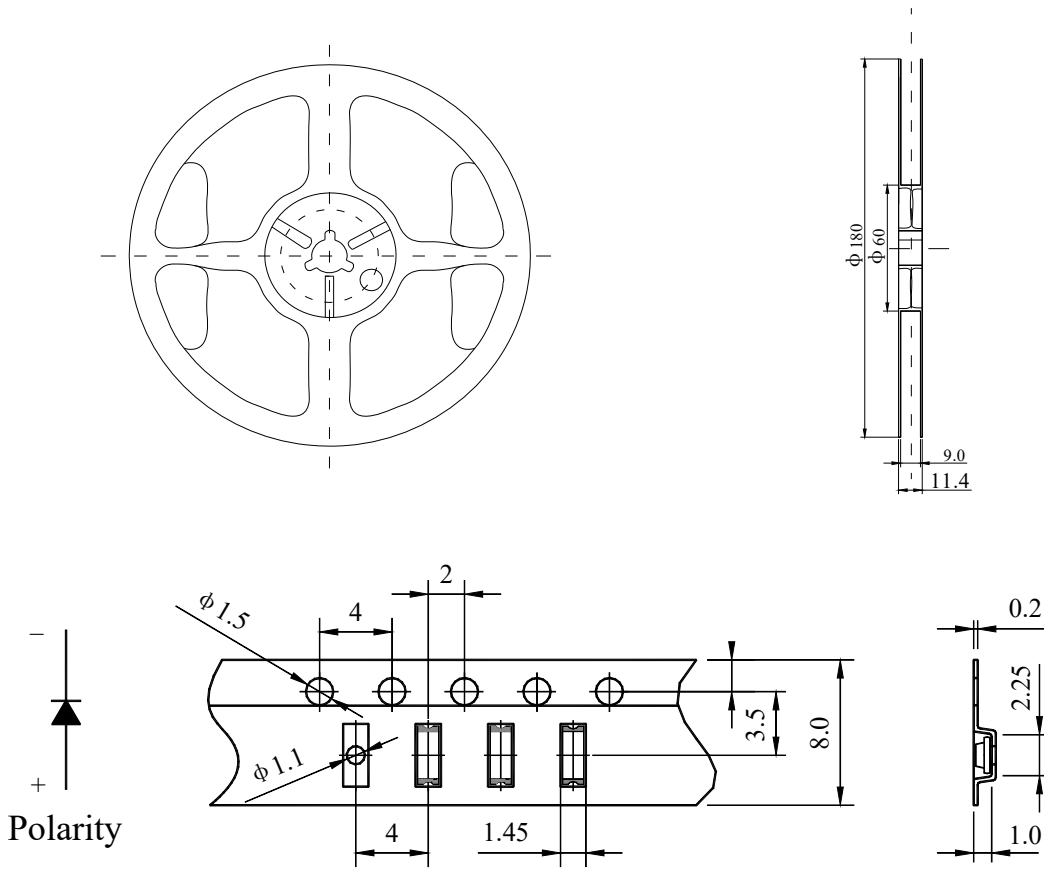
◆ Soldering Conditions (Maximum allowable soldering conditions)

Reflow soldering profile
<Pb-free solder>

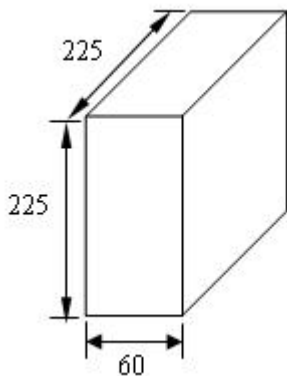


- Reflow soldering should not be done more than two times.
- Do not stress its resin while soldering.
- After soldering, do not warp the circuit board.

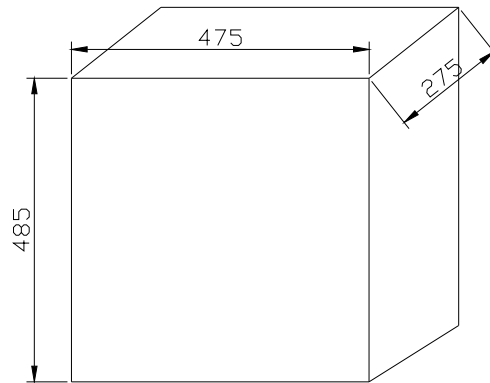
◆ Package Tape Specifications: (4000 or 2000 pcs/Reel)



Reel Lead Min.60mm No LEDs

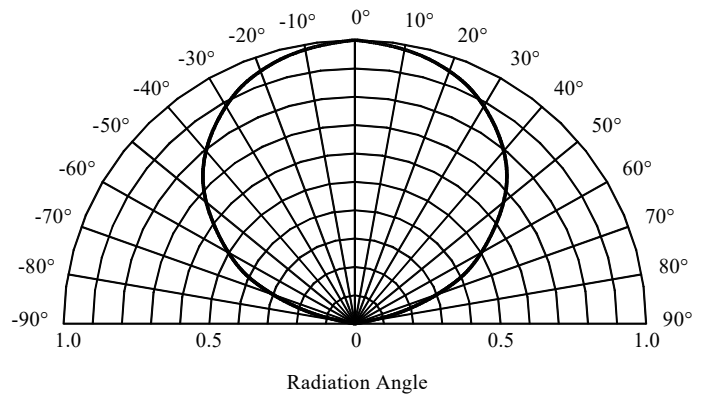
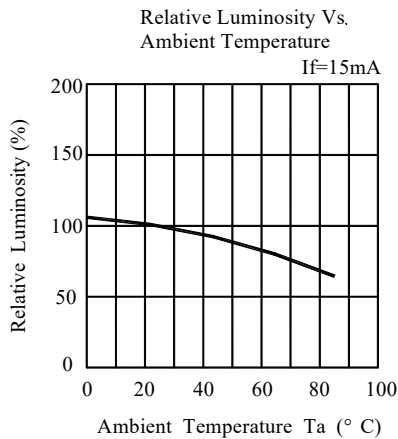
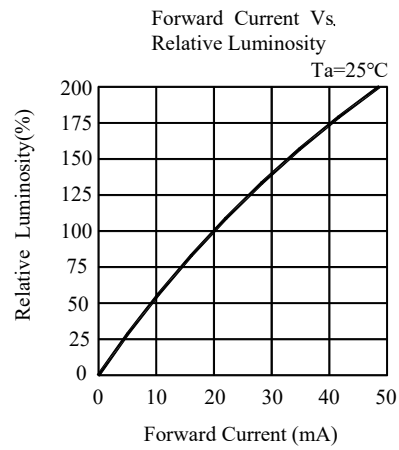
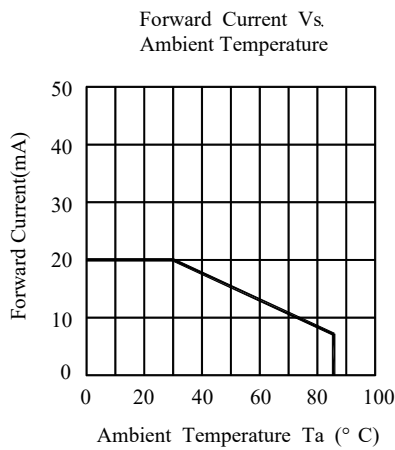
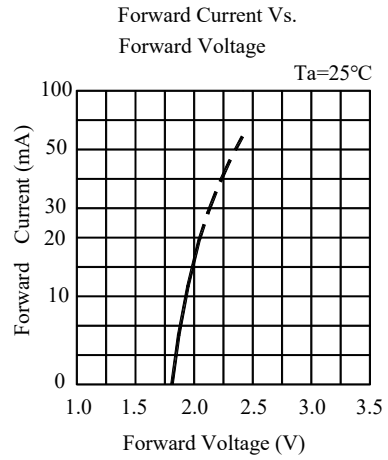
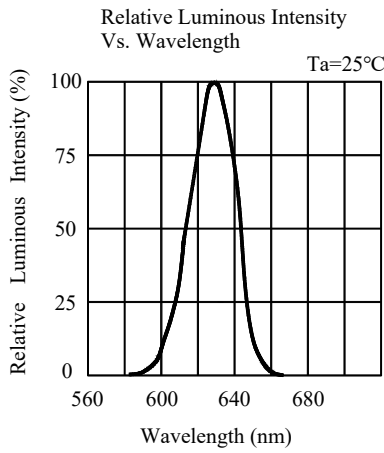


5 Reels in one Box



16 Boxes in one Carton

◆ Typical Electro-Optical Characteristics Curves:

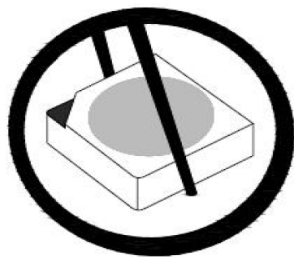


◆ Storage and application notices**1. Storage**

1. Before opening the package: the LEDs should be kept at 5-30℃ and 60%RH or less; the LEDs should be used within three months ;
2. LED SMD is a kind of semiconductor that is sensitive to the humidity. So after opening the package, LED must be used within 24Hrs, or else should be kept at 5-30 ℃ and 30%RH or less, and the LEDs should be used within 7days after opening the package. If unused LEDs remain, they should be stored in moisture proof packages, recommended to return the LEDs to the original moisture proof bag and to reseal the moisture proof bag again. If the LEDs have exceeded the storage time, baking treatment should be performed more than 24Hs at 60°C±5°C.
3. The internal and esterand boxes can not be contacted with ground to prevent absorption of moisture;
4. No acid, alkali, salt, corrosive and explosive gas; away from sunlight and keep the environment clean;

2. Application

1. Do not use any unknown chemical liquid to clean LED, it will damage the LED resin surface; use the alcohol under the room temperature if necessary but less than 1 min, or use the ultrasonic cleaning with proper characters, such as correct power, frequency ,etc;
2. Do not touch the epoxy resin area when carrying LEDs by tweezers (as the following pictures), especially after the soldering process, the epoxy resin will turn to soft, the internal instruction will be damaged by the tweezers which cause the electric character's failure; nozzle is recommended by using SMT mounting.



Correct



Incorrect

3. Soldering iron: double-side soldering iron with power of less than 25W; soldering temperature: less than 300℃; soldering time: less than 3sec.; 1 time completed is recommended, if the 2nd soldering process is

requested, 3mins must be left to ensure the high temperature status can return to room temperature;

- a. REFLOW soldering: set and test the temperature of the different area of REFLOW equipment in advance;
 - b. To set the peak temperature according to different SMDs, but the actual peak temperature should be less than 260 °C ,processing time should be less than 10sec, only 1 time is allowed;
4. SMDs should be soldered at the coordinated position on the PCB ;
5. Note of Electrical matter:
- ① One-way conduction, LED does not allow the reverse driving;
 - ② LED is a kind of constant current component which can not be lighted by the constant voltage mode; a smaller voltage fluctuation can cause the large current fluctuation which causes the failure of LED;
Each LED should be drove under constant current mode if in a parallel circuit design, otherwise, the colour and brightness will be nonuniform; When the environmental temperature rising, the LED junction temperature will rise, internal resistance will decrease, so the current will be increased by the constant voltage power which short the life span;
 - ③ If the brightness of lighting source can meet the requirement, we recommend using the driving current less than the rated current, in order to improve the product's reliability;
6. LED is a kind of electrostatic sensitive devises, anti-static measures have to be processed during storage and operation:
- ① LED production workshop should lay anti-static floor and ground connection, the work table have to use the anti-static materials and cover a table mater with the surface resistance of 10^6 - $10^9\Omega$
 - ② Production machine: REFLOW, SMT equipment, electric iron, test equipment; all the equipments must be well grounded, and the grounding alternating current impedance should be less than 1.0Ω . A fan need to be installed on the equipments and production processes that easy to generate static electricity; the operators must wear anti-static clothing, shoes, wristband, and gloves, etc. in the process;
 - ③ LEDs must be contained in the anti-static box, and all the package material should be the anti-static materials;
7. The details electronic characters can refer to our product specification.

◆ Notes:

1、Above specification may be changed without notice. We will reserve authority on material change for above specification.

2、When using this product, please observe the absolute maximum ratings and the instructions for the specification sheets. We assume no responsibility for any damage resulting from use of the product which does not comply with the instructions included in the specification sheets.