

A

B

C

D

E

F

G

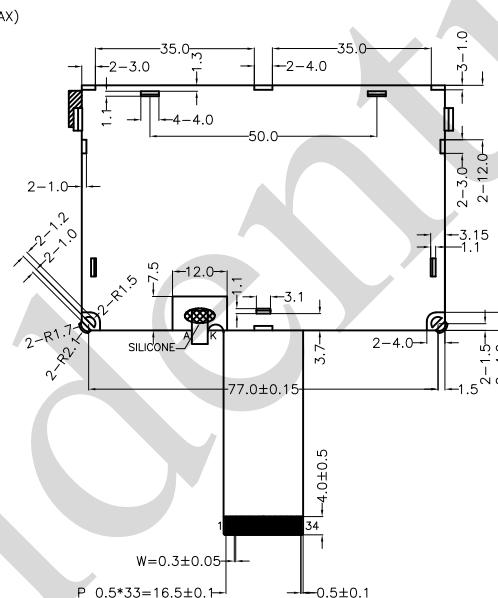
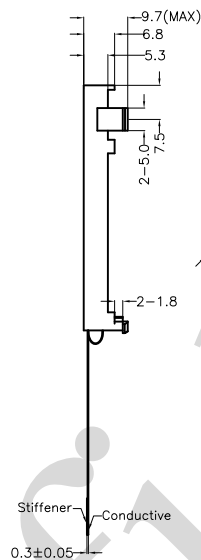
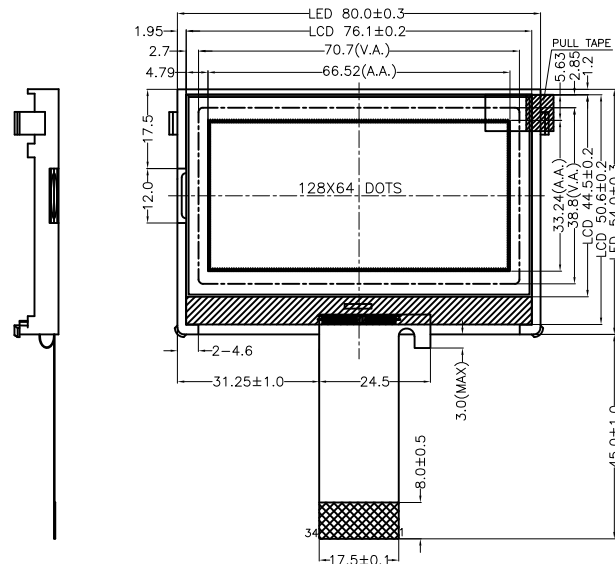
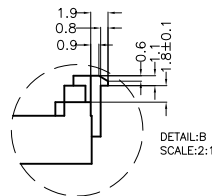
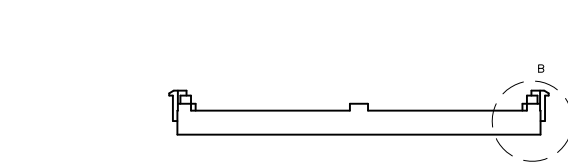
UNIT: mm

VER REVISION RECORD

DATE

A First issue

2024.10.08

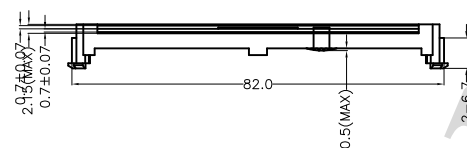


8bit 6800 Interface

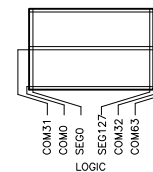
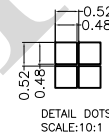
Pin	Pin Name	
1	K	0V
2	A	3.5V/90mA
3	/CS1	/CS1
4	/RES	/RES
5	A0	A0
6	/WR(RW)	RW
7	/RD(E)	E
8	D0	D0
9	D1	D1
10	D2	D2
11	D3	D3
12	D4	D4
13	D5	D5
14	D6	D6
15	D7	D7
16	VDD	3.3V
17	VSS	0V
18	VOUT	OV
19	CAP5+	NC
20	CAP3+	C2
21	CAP1-	C3
22	CAP1+	C3
23	CAP2+	C4
24	CAP2-	C4
25	CAP4+	NC
26	VRS	NC
27	V4	C5
28	V3	C6
29	V2	C7
30	V1	C8
31	V0	C9
32	VR	NC
33	P/S	3.3V
34	/HPM	0V

4-SPI Interface

Pin	Pin Name	
1	K	0V
2	A	3.5V/90mA
3	/CS1	/CS1
4	/RES	/RESET
5	A0	A0
6	/WR(RW)	
7	/RD(E)	
8	D0	
9	D1	
10	D2	
11	D3	
12	D4	
13	D5	
14	D6	
15	D7	
16	VDD	3.3V
17	VSS	0V
18	VOUT	C1
19	CAP5+	NC
20	CAP3+	C2
21	CAP1-	C3
22	CAP1+	C3
23	CAP2+	C4
24	CAP2-	C4
25	CAP4+	NC
26	VRS	NC
27	V4	C5
28	V3	C6
29	V2	C7
30	V1	C8
31	V0	C9
32	VR	NC
33	P/S	3.3V
34	/HPM	0V

C1-C9: 1uF/25V, I_{LED} <= 90mA

VIEWING



SPECIFICATIONS

1. DISPLAY TYPE: FSTN/TRANSFLECTIVE/POSITIVE
 2. LCD DRIVING VOLTAGE: 9.8V
 3. LOGIC VOLTAGE: 3.3V
 4. VIEWING DIRECTION: 6 O'CLOCK
 5. OPERATING TEMP: -20°C -- +70°C
 6. STORAGE TEMP: -30°C -- +80°C
 7. DRIVE MODE: 1/65DUTY,1/9BIAS
 8. BACKLIGHT: WHITE/SDIE BACKLIGHT/3.5V
- MECHANICAL TOL.±0.3 UNLESS SPECIFIED

CUSTOMER APPROVAL

Palm Technology Co., Ltd.

MODEL
P241002Q

DWG NO

VER

PAGE

APPROVAL

CHECK

DRAWING

INSCHING