

1 2 3 4 5 6 7

FOR 客户名称	APPROVED 客户确认签字	ATTN 销售负责人

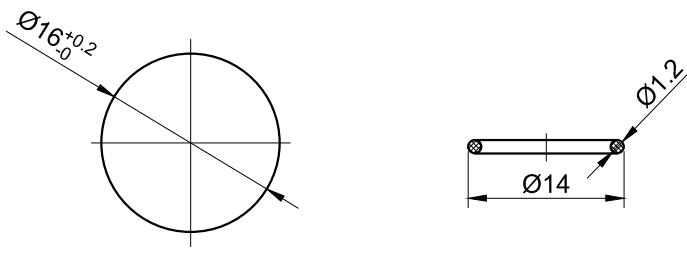
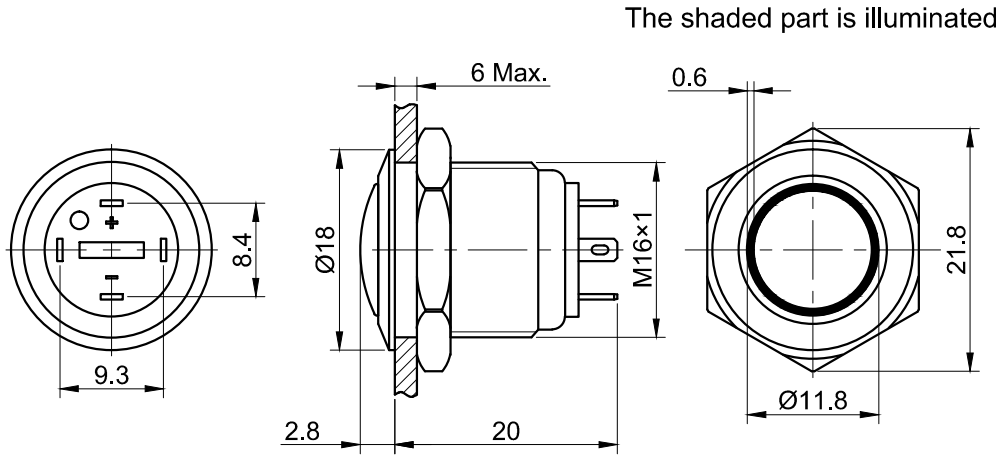
A A

B B

C C

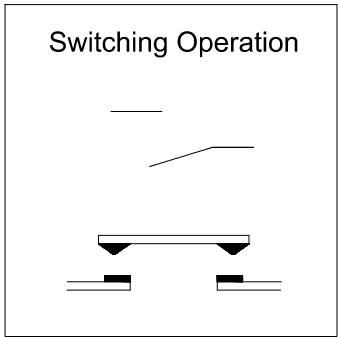
D D

E E



PANEL CUTOUT
MAX.PANEL THICKNESS
6 mm

Seal Ring



Part Number:GQ16B-10E/J/△/▲/◎

"△"	Lamp Color	"▲"	Lamp Voltage	"◎"	Crust Material
R	Red	6V	AC/DC 6V	A	Al alloy(Black)
G	Green	12V	AC/DC 12V	S	Stainless Steel
Y	Yellow	24V	AC/DC 24V		
B	Blue	220V	AC/DC 220V		
W	White				

SPECIFICATIONS:

- 1.Switch Rating: AC220V/0.5A, DC36V/2A.
- 2.Mechanical Life: ≥1,000,000cycles.
- 3.Electrical Life: ≥200,000cycles(DC 36V);
≥50,000cycles(AC 220V).
- 4.Contact Resistance: ≤50mΩ.
- 5.Insulation Resistance: ≥1,000MΩ.
- 6.Dielectric Strength: 1,500V, RMS 50Hz, 1min.
- 7.Operating Temperature: -25°C~ +55°C(No Freezing).
- 8.Operating Force: About 4N.
- 9.Operating Travel: About 2mm.
- 10.Torque: About 0.6Nm max.applied to nut.
- 11.Protection degree: IP65/IP67(Made to order);IK08.
- 12.Terminal Type: Pin Terminal(2 x 0.5mm).

MATERIALS:

- 1.Contact: Silver alloy.
- 2.Button: ◎.
- 3.Body: ◎.
- 4.Base: PA.

BRAND 品牌 **ONPOW** **红波按钮制造有限公司**
ONPOW PUSH BUTTON MANUFACTURE CO.,LTD.

THESE DRAWINGS AND SPECIFICATIONS ARE THE PROPERTY OF ONPOW PUSH BUTTON MANUFACTURE CO.,LTD. AND SHALL NOT BE REPRODUCED COPIED OR USED IN ANY MANNER WITHOUT THE PRIOR WRITTEN CONSENT OF ONPOW PUSH BUTTON MANUFACTURE CO.,LTD.	USED 用途	APPD 审核	CH 2020/04/15	
	FINISH 处理	CHKD 校对	NCH 2020/04/15	
	SCALE 比例	UNIT 单位	DR. 制图	ZPD 2020/04/15
	1.5 / 1	mm		

DIMENSIONS	TOLERANCE	TITLE 名称	GQ Series Anti-vandal push button	SIZE 图纸	A4
0.00 TO 18.00mm	±0.43mm	DWG NO. 图号	GQ16B-10E/J		
18.01 TO 30.00mm	±0.52mm	FILE NAME 档案名称	GQ16-10EJ.DWG		
30.01 TO 50.00mm	±0.62mm	SHEET 张	1 / 1		
50.01 TO 80.00mm	±0.74mm	REV. 更改	1		

1 2 3 4 5 6 7