

PRZ Rs2r-10A

Twinned Poles rocker Switch / Circuit Breakers for Equipment



Description

is Twinned Poles, Thermal-Trip, Manual Reset, Supplementary Protector
KCD2-SS 电流过载保护开关是双极，热敏跳脱，手动复位，辅助保护器

Trip Free, CYCLING design, Will trip open on overload, even when forcibly held on, the operating handle (electric contact) moves forcibly and positively to the OFF position, power will be connected when temperature drops.

循环式自由跳脱设计，当电流过载时电气接点跳脱，即使是强行地按住开关，操作结构（电气接点）也可以强行地且确实地跳开至OFF状态，当温度下降时电源恢复接通电路

Combines on/off switch and circuit protection on a single unit.
结合on/off开关及电路保护在单一个产品上。

Standard ratings: 4 to 20amps or customized customer design is available.
标准电流规格从4到20amps 或按照客户规格设计生产

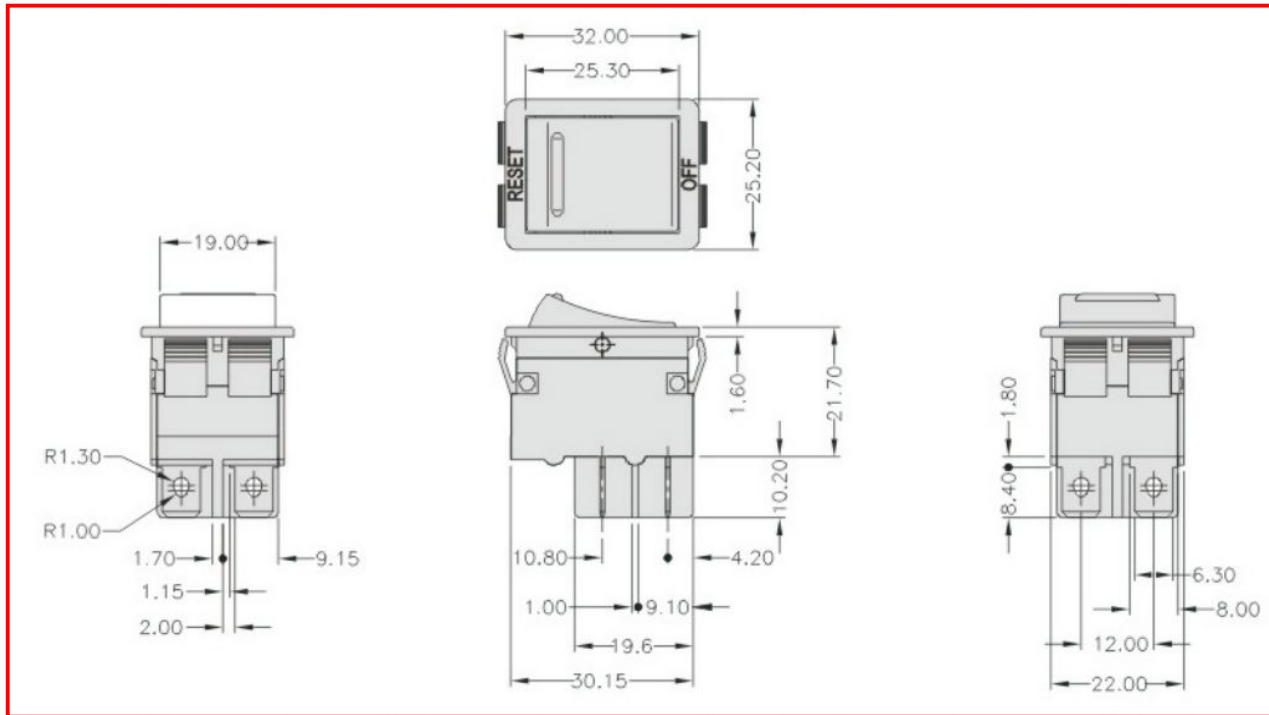
Snaps onto the same cutout as many common power switches.
安装容易，插入即可扣住各式公用电源开关的开孔

Typical Applications

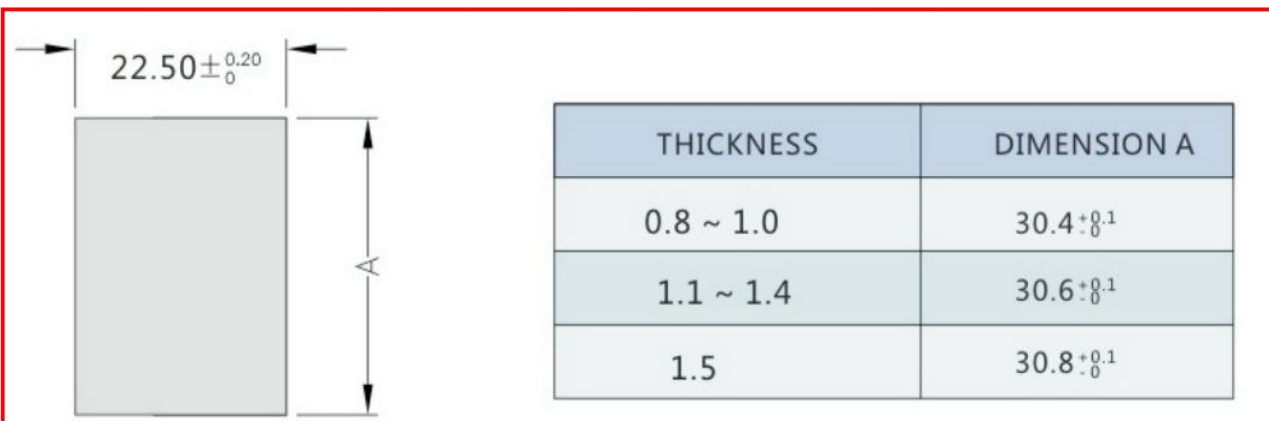
Motors, Power supplies, Generators, Transformers, Instrumentation, Power strips, Power tools, UPS, Health Equipments, Food Processor.

马达，电源供应器，发电机，变压器，测试仪器，延长线，电动工具，不断电供应器，运动器材，食物调理机

Outline Dimensions



Suggested Mounting Holes



Technical Datas

Electrical Characteristics 电气特性	额定电流电压	Current and Voltage Ratings	4A-20A at 125/250VAC; 50VDC
	跳脱	Calibration	100% No Trip. 150% trip in one hour at +25°C
	接触阻抗	Contact Resistance	≅ 100 mΩ
	绝缘阻抗	Insulation Resistance	≅ 100 MΩ 500VDC
	绝缘耐电压	Dielectric Withstanding Voltage	1500VAC at 50/60 Hz for 60 seconds
	电气寿命	Electrical Life	6000 cycles full rated current
	最大使用电压	Max. operating voltages	125 or 250VAC, 50/60 Hz. (model dependent)
Mechanical/reliability Characteristics 机械/可靠性特性	机械寿命	Mechanical life	10000 cycles
	使用温度范围	Operating temperature range	-10°C to +85°C
	使用湿度	Ambient humidity used	≅ 85% RH
	可焊性	Solder ability	260°C±5°C 3±1S
	耐焊接热	Withstand soldering temperature	260°C±5°C 3±1S
Specifications 规格	短路容量	Interrupt capacity	1000A at 125/250VAC
	重新启动时间	Reset Time	10 seconds

Ambient Temperature Correction Factor 环境温度补偿系数表

Ambient Temperature In°C 环境温度	Rating Correction Factor 额定电流补偿系数
	4A~20A Models 机种从4A到20A
-10	x1.65
10	x1.4
20	x1.15
25	x1
30	x0.95
40	x0.9
50	x0.8
60	x0.7
85	x0.45

**Time Vs. Current Trip Curve @ +25°C
跳脱时间及电流跳脱曲线图 @+25°C**

