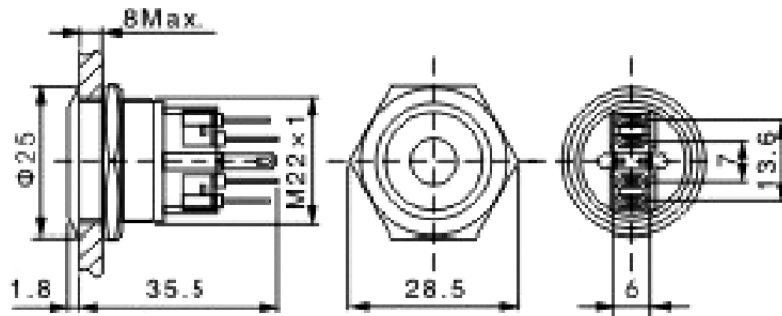


# PRZ W22F11DB24/Sz

- $\varnothing 22$ mm diameter
- Switch rating: 5A/250VAC
- Contact Configuration: 1NO1NC
- Operation type: Momentary ON-OFF
- The front shape: Flat round
- The crust material: Stainless steel
- Dot illuminated
- IP Degree: IP67



## Dimensions in mm



Specification:		
The front shape	Flat round	
Terminal type	Pin Terminal (2.8x0.5mm)	
Switching	No.3	
Max. Switch Rating	Ith: 5A Ui:250VAC	
Contact resistance	$\leq 50\text{m}\Omega$	
Insulating resistance	$\geq 1000\text{M}\Omega$	
Dielectric strength	2000VAC	
Operating temperature	-20°C~+55°C	
Mechanical life	1 000 000 cycles	
Electrical life	100 000 cycles	
Panel thickness	Momentary 1~8mm, On-Off, 1-13	
Torque	5-14Nm	
Operation pressure	About 5.5N	
Operation distance	About 2.5mm	
IP Degree	IP67	
Material	Contact	Silver alloy
	Button	Stainless Steel
	Body	Stainless Steel
	Base	PC
LED Speed	Type	Dot illuminated (LED)
	Rated voltage	3V/6V/12V/24V/36V/110V/220V
	Color	Red, Green, Yellow, Orange, Blue, White, Purple
	Life	40 000 hours