

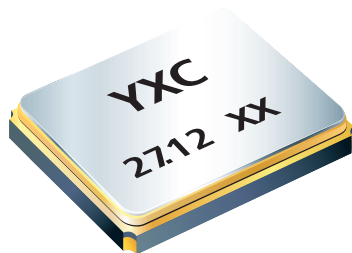


给您一颗快乐的“芯”！

# YSX321SL X32252712MSB4SI



## Features



- External dimensions: 3.2 x 2.5 x 0.8 mm.
- Frequency range: 11.0592MHz ~ 54MHz.
- High precision and high frequency stability.
- Extremely good for reducing EMI effect.
- RoHS Compliant / Pb Free.
- The best choice of Bluetooth, wireless communication set, DSC, PDA and mobile phone.

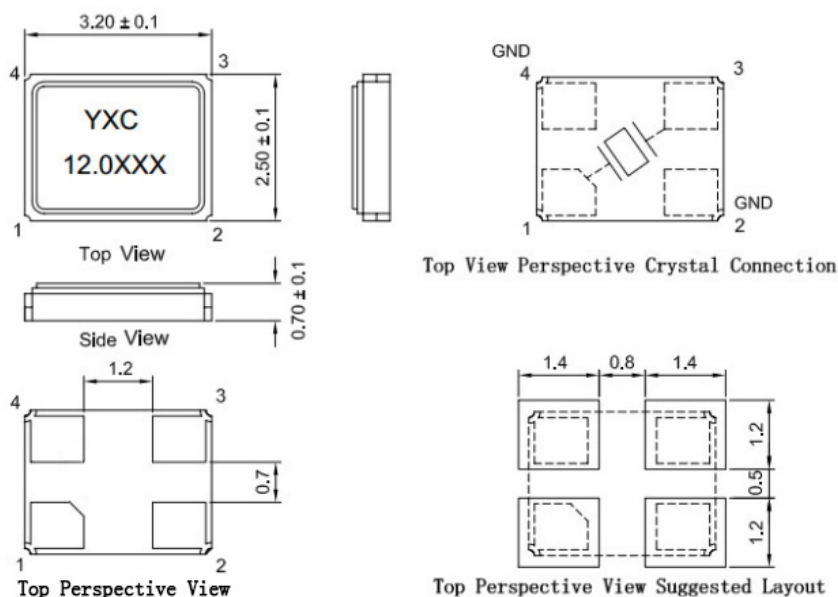
## Electrical Specifications

| Item / Type                                  | X32252712MSB4SI               |
|--|-------------------------------|
| Nominal Frequency                            | 27.12 MHz                     |
| Vibration Mode                               | AT Fundamental                |
| Load Capacitance                             | 20pF                          |
| Frequency Tolerance (at 25 °C)               | ± 10 ppm                      |
| Frequency Versus Temperature Characteristics | ±20 ppm                       |
| Operating Temperature                        | - 40 ~ + 85 °C                |
| Storage Temperature                          | -40 ~ + 105 °C                |
| Shunt Capacitance                            | 7 pF Max.                     |
| Level Of Drive                               | 1~100 μW Max. (10 uW typical) |
| Frequency Aging (at 25 °C)                   | ± 3 ppm / year Max.           |
| Insulation Resistance                        | More Than 500MΩ at DC 100V    |

## Equivalent Series Resistance(ESR)

| Fundamental      |           |
|------------------|-----------|
| 11.0592 ~ 16 MHz | 80 Ω Max. |
| 16 ~ 20 MHz      | 60 Ω Max. |
| 20 ~ 54 MHz      | 40 Ω Max. |

## Dimensions



Units: mm



给您一颗快乐的“芯”！

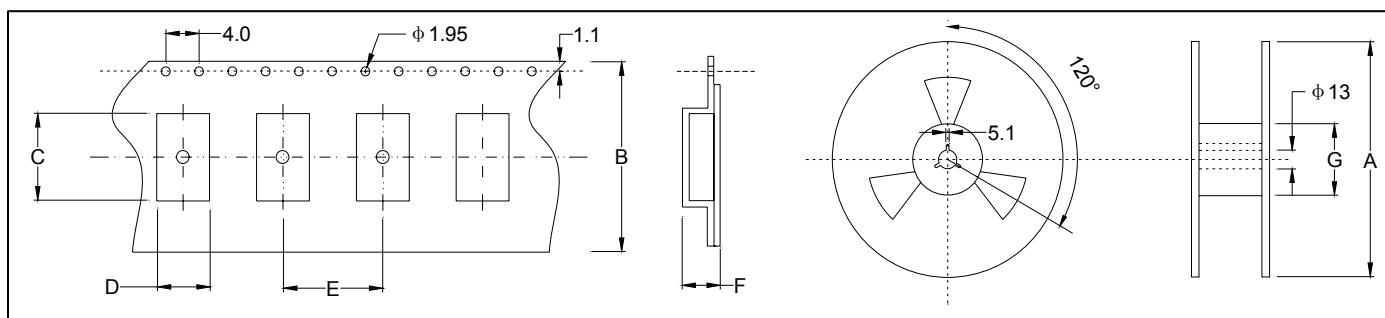
**YSX321SL X322512MSB4SI**



★ PART NUMBER GUIDE 部件号示例 e.g. X32252712MSB4SI YSX321SL = 3.2 × 2..5 SMD SEAM TYPE

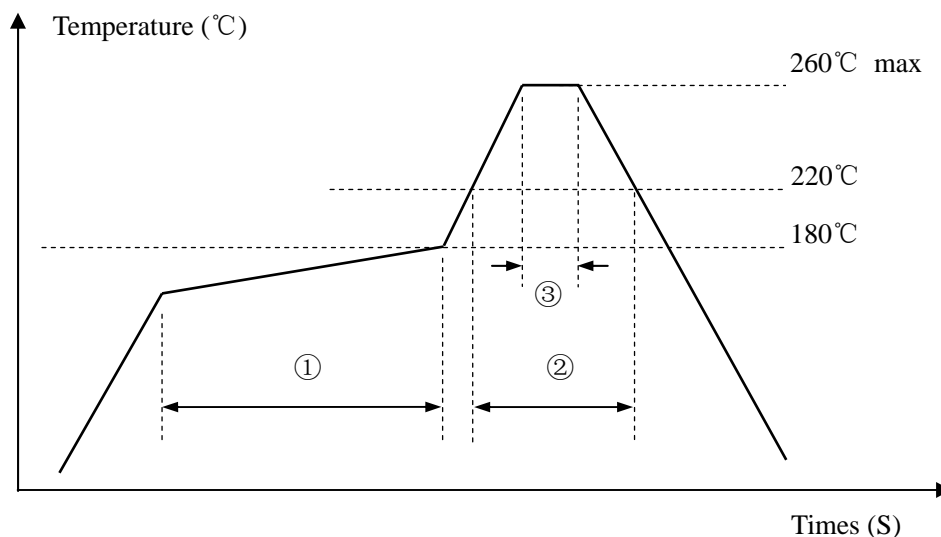
| Quartz Crystal Resonator | Dimensions | Frequency (Hz) | Load Capacitance (Pf) | Frequency Stability Overall (ppm) | Pin | Material | Operating Temp. Range |
|--------------------------|------------|----------------|-----------------------|-----------------------------------|-----|----------|-----------------------|
| X                        | 3225       | 27.12M         | 20PF                  | 10PPM                             | 4   | S        | I                     |

★ TAPING SPECIFICATION (Unit: mm) 编带规格



|                   | A         | B          | C           | D           | E          | F           | G          |
|-------------------|-----------|------------|-------------|-------------|------------|-------------|------------|
| SMD3225           | 178 ± 2.0 | 8.03 ± 0.3 | 3.81 ± 0.10 | 3.04 ± 0.10 | 3.84 ± 0.1 | 1.54 ± 0.10 | 62.0 ± 1.0 |
| 3000 pcs per reel |           |            |             |             |            |             |            |

★ REFLOW SOLDERING PROFILE 回流焊特性



|                     |   |              |           |             |
|---------------------|---|--------------|-----------|-------------|
| Pb free reflow<br>A | ① | Preheat      | 160~180°C | 120sec. max |
|                     | ② | Primary heat | 220°C     | 60sec. max  |
|                     | ③ | Peak         | 260°C     | 10sec. max. |