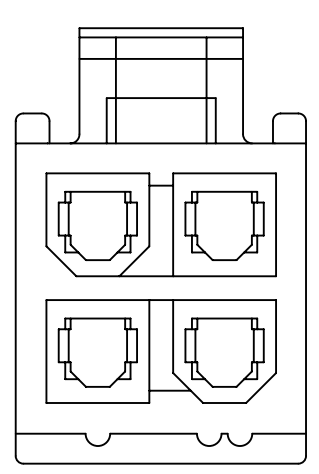


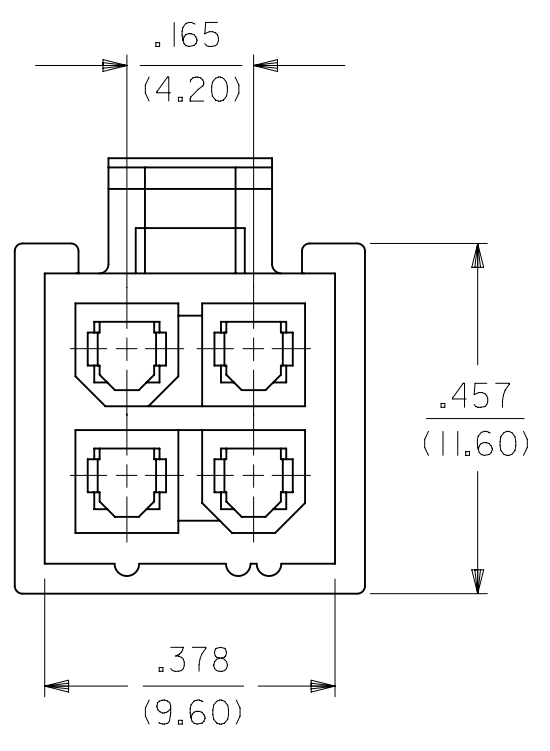
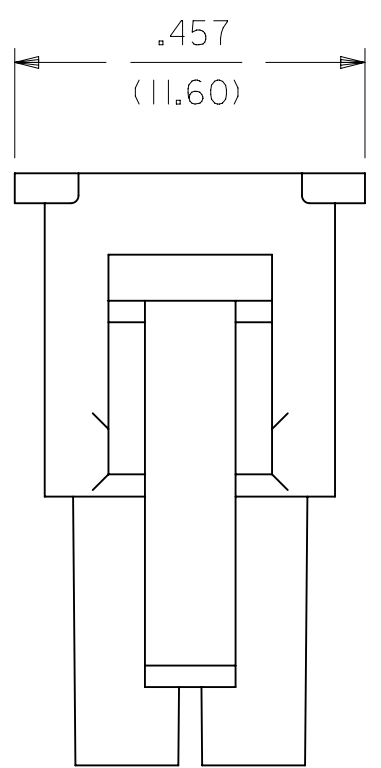
PART NUMBER	ENG. NUMBER	MATERIAL (SEE NOTE 1)
39-01-3028	5557-02R1-210	94V-0
39-01-3048	5557-04R1-210	94V-0
39-01-3022	5557-02R1	94V-2
39-01-3042	5557-04R1	94V-2
39-01-6026	5557-02R1-BL	94V-2, BLACK
NO E.D.P.	5557-04R1-BL	94V-2, BLACK

LEGEND:

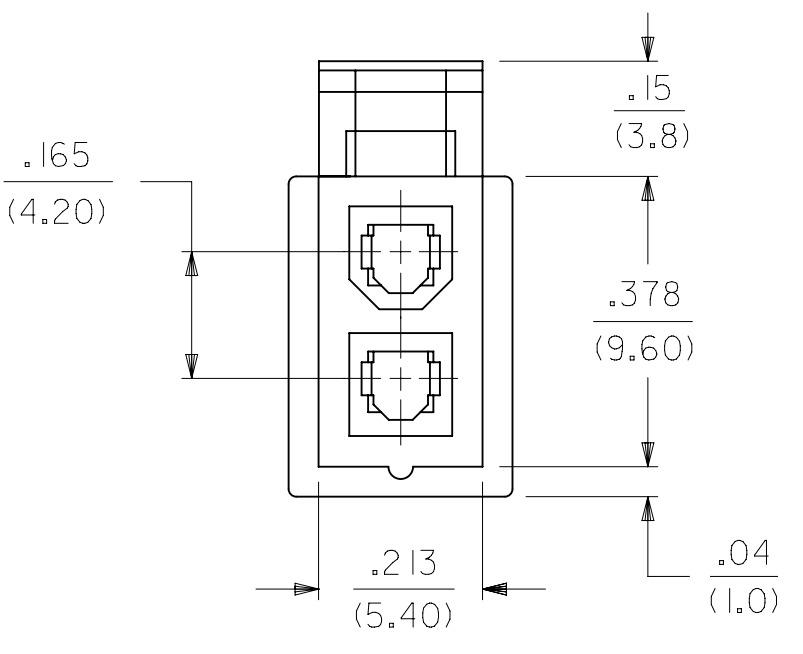
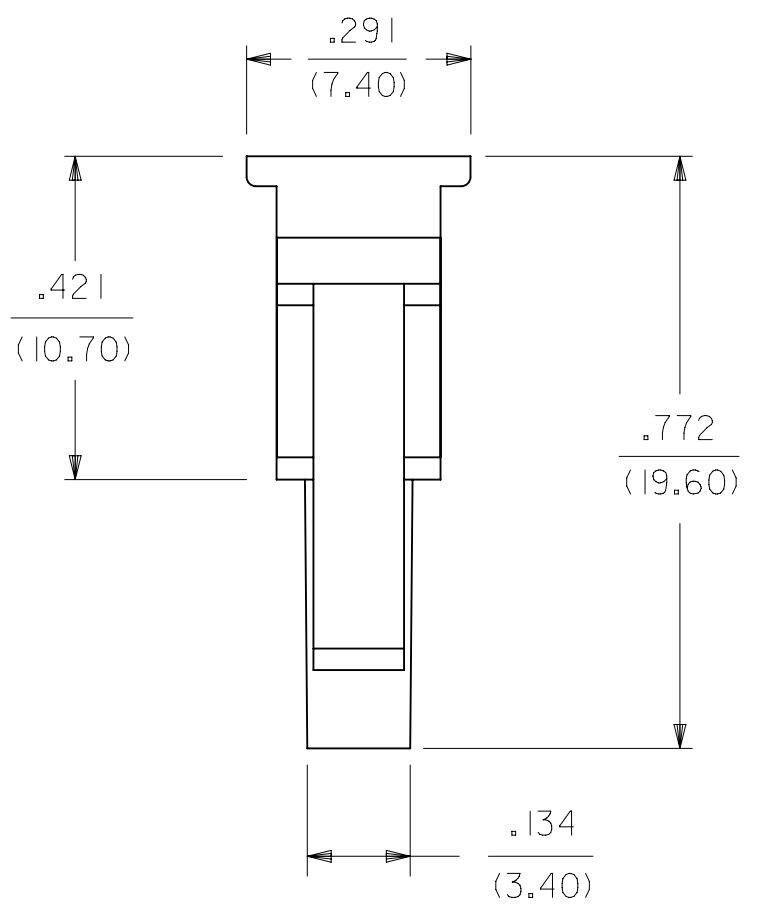
5557-*** R1-****
 BASE NUMBER
 CKT. SIZE
 RECEPTACLE
 (WITH SIDE PULL TABS)
 MATERIAL OPTION:
 (SEE NOTE 1)



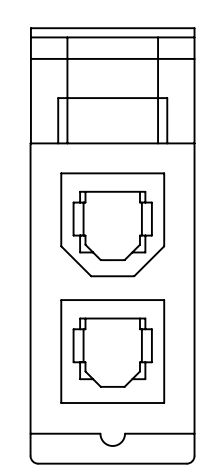
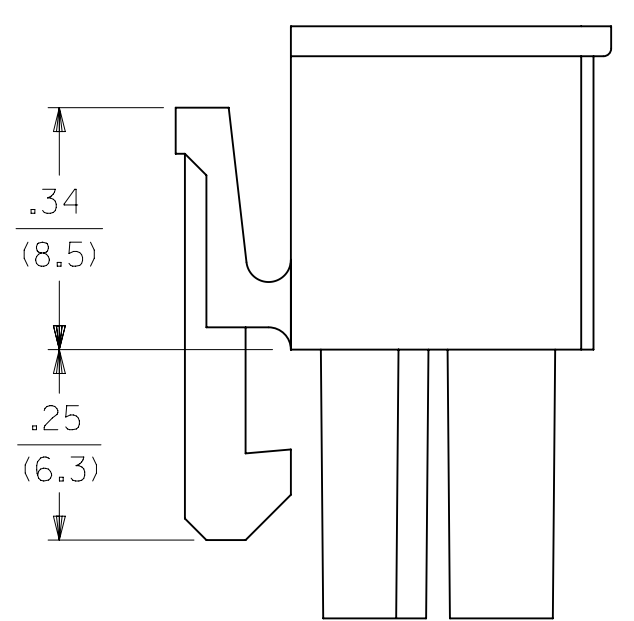
5557-04R-***
 (WITHOUT SIDE PULL TABS)
 (SHOWN FOR REFERENCE ONLY)



5557-04R1-***



5557-02R1-***



5557-02R-***
 (WITHOUT SIDE PULL TABS)
 (SHOWN FOR REFERENCE ONLY)

NOTES:

- MATERIAL:
 "BLANK" = NYLON 6/6, U.L. 94V-2. COLOR: NATURAL.
 "210" = NYLON 6/6, U.L. 94V-0. COLOR: NATURAL.
 "BL" = NYLON 6/6, U.L. 94V-2. COLOR: BLACK.
- FINISH: NOT APPLICABLE.
- PRODUCT SPECIFICATION: PS-5556-001.
- PARTS TO BE PACKAGED PER PK-5557-002
- PART MATES WITH MOLEX PLUG #5559 AND 172762-0***.
- PART IS FOR USE WITH MOLEX FEMALE TERMINAL #5556, #45750.
- PART IS NOT DESIGNED FOR CURRENT SHARING.
- CONNECTORS ARE NOT TO BE MATED OR UNMATED WHILE CIRCUITS ARE LIVE.
- WIRES ARE TO BE DRESSED IN SUCH A MANNER TO ALLOW THE TERMINALS TO FLOAT FREELY IN THE POCKET.
- PART CONFORMS TO CLASS "B" REQUIREMENTS OF COSMETIC SPECIFICATION PS-45499-002.
- BUBBLE IS ACCEPTABLE ON LATCH AREA.

THIS DRAWING CONTAINS INFORMATION THAT IS PROPRIETARY TO MOLEX ELECTRONIC TECHNOLOGIES, LLC AND SHOULD NOT BE USED WITHOUT WRITTEN PERMISSION

DIMENSION UNITS		SCALE		CURRENT REV DESC:	
IN/MM		NTS			
GENERAL TOLERANCES (UNLESS SPECIFIED)				EC NO: 768511	
4 PLACES	±			DRWN: JERRYW8	2023/11/02
3 PLACES	±	0.015		CHK'D: XQZHANG	2023/11/15
2 PLACES	±	0.38	± 0.015	APPR: XQZHANG	2023/11/15
1 PLACE	±	0.38		INITIAL REVISION:	
0 PLACES	±			DRWN: GEP	1990/08/08
ANGULAR TOL		± 0.5 °		APPR: FSMITH	2012/05/04
DRAFT WHERE APPLICABLE MUST REMAIN WITHIN DIMENSIONS		THIRD ANGLE PROJECTION		DRAWING	SERIES
		C-SIZE		5557	
DOCUMENT STATUS		P1		RELEASE DATE	
2023/11/15		09:48:19		55570001-SD	
DOC TYPE		DOC PART		REVISION	
PSD		000		A2	
MATERIAL NUMBER		CUSTOMER		SHEET NUMBER	
SEE CHART		GENERAL MARKET		1 OF 1	

THIS DRAWING REPLACES DRAWING SD-5557-04R1-***