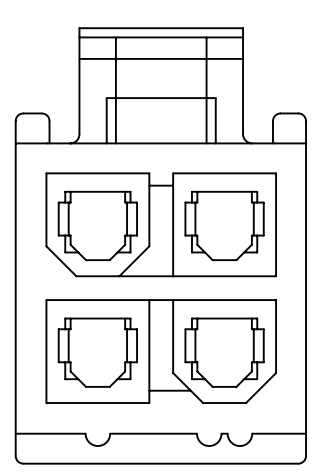


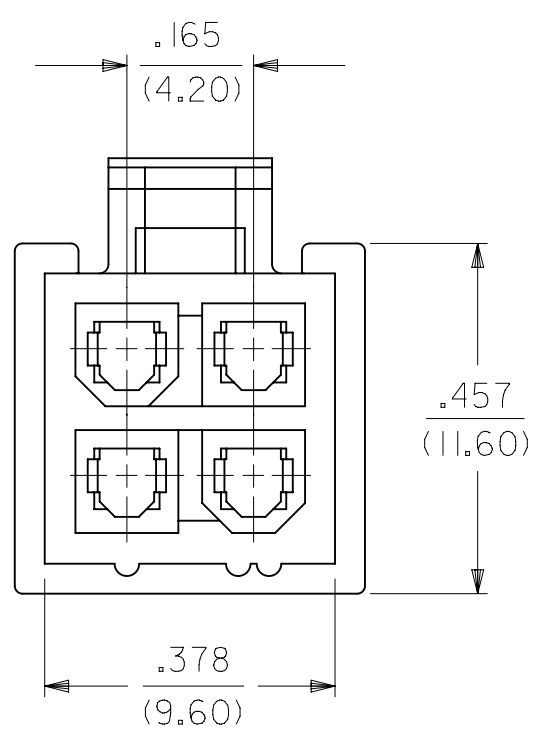
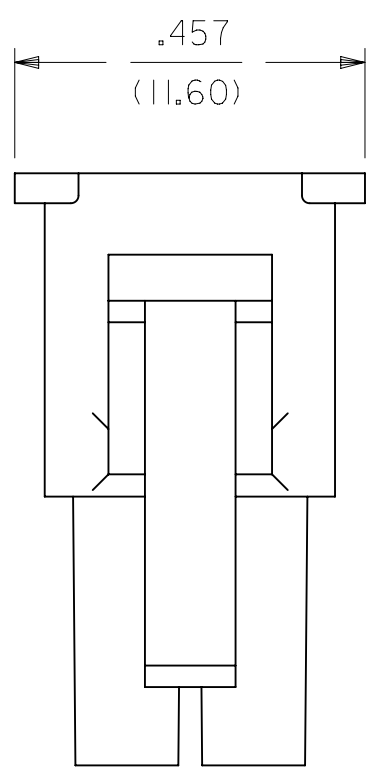
PART NUMBER	ENG. NUMBER	MATERIAL (SEE NOTE 1)
39-01-3028	5557-02R1-210	94V-0
39-01-3048	5557-04R1-210	94V-0
39-01-3022	5557-02R1	94V-2
39-01-3042	5557-04R1	94V-2
39-01-6026	5557-02R1-BL	94V-2, BLACK
NO E.D.P.	5557-04R1-BL	94V-2, BLACK

**LEGEND:**

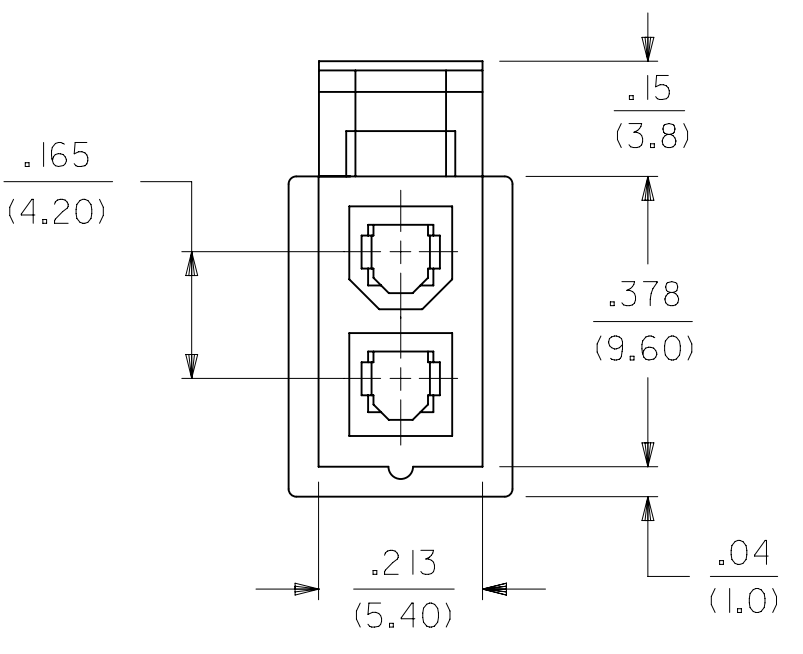
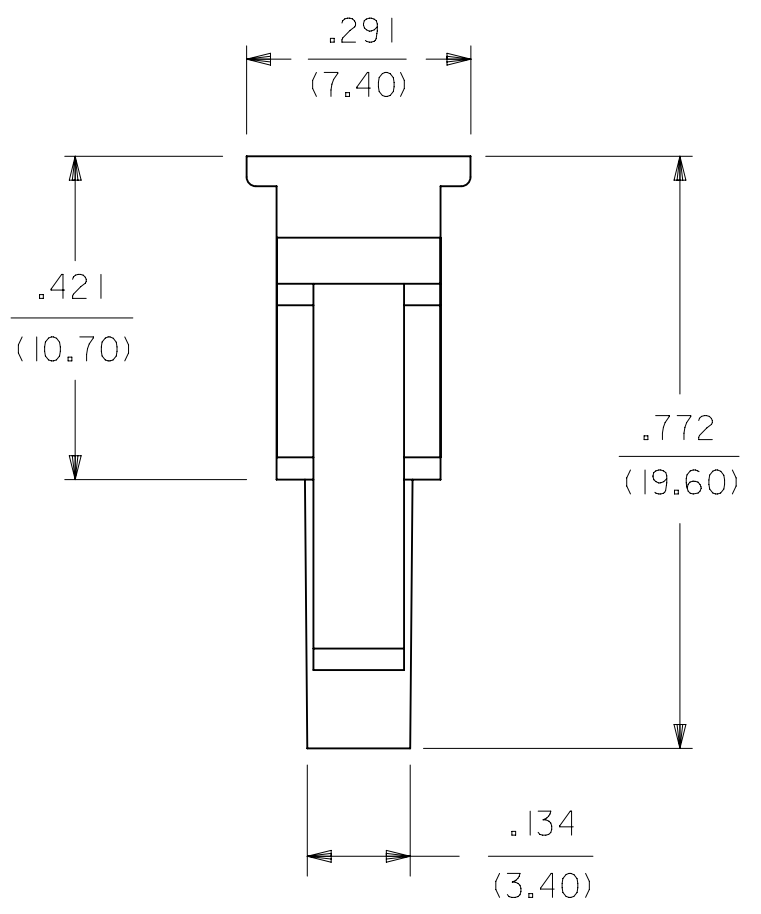
5557-\*\*\* R1-\*\*\*\*  
 BASE NUMBER  
 CKT. SIZE  
 RECEPTACLE  
 (WITH SIDE PULL TABS)  
 MATERIAL OPTION:  
 (SEE NOTE 1)



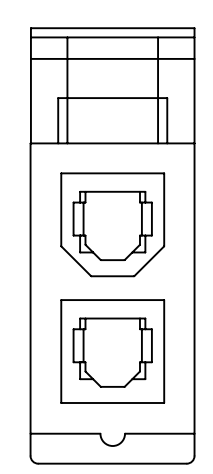
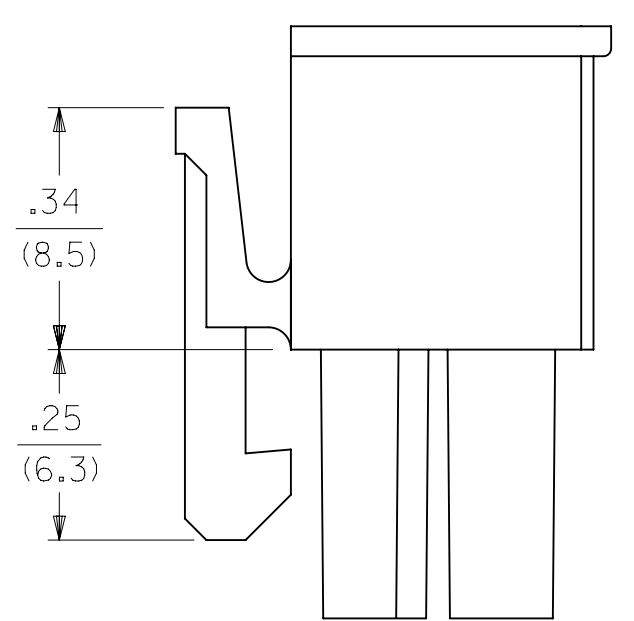
5557-04R-\*\*\*  
 (WITHOUT SIDE PULL TABS)  
 (SHOWN FOR REFERENCE ONLY)



5557-04R1-\*\*\*



5557-02R1-\*\*\*



5557-02R-\*\*\*  
 (WITHOUT SIDE PULL TABS)  
 (SHOWN FOR REFERENCE ONLY)

**NOTES:**

- MATERIAL:  
 "BLANK" = NYLON 6/6, U.L. 94V-2. COLOR: NATURAL.  
 "210" = NYLON 6/6, U.L. 94V-0. COLOR: NATURAL.  
 "BL" = NYLON 6/6, U.L. 94V-2. COLOR: BLACK.
- FINISH: NOT APPLICABLE.
- PRODUCT SPECIFICATION: PS-5556-001.
- PARTS TO BE PACKAGED PER PK-5557-002
- PART MATES WITH MOLEX PLUG #5559 AND 172762-0\*\*\*.
- PART IS FOR USE WITH MOLEX FEMALE TERMINAL #5556, #45750.
- PART IS NOT DESIGNED FOR CURRENT SHARING.
- CONNECTORS ARE NOT TO BE MATED OR UNMATED WHILE CIRCUITS ARE LIVE.
- WIRES ARE TO BE DRESSED IN SUCH A MANNER TO ALLOW THE TERMINALS TO FLOAT FREELY IN THE POCKET.
- PART CONFORMS TO CLASS "B" REQUIREMENTS OF COSMETIC SPECIFICATION PS-45499-002.
- BUBBLE IS ACCEPTABLE ON LATCH AREA.

THIS DRAWING CONTAINS INFORMATION THAT IS PROPRIETARY TO MOLEX ELECTRONIC TECHNOLOGIES, LLC AND SHOULD NOT BE USED WITHOUT WRITTEN PERMISSION

DIMENSION UNITS		SCALE		CURRENT REV DESC:	
IN/MM		NTS			
GENERAL TOLERANCES (UNLESS SPECIFIED)					
	MM	INCH			
4 PLACES	±	±			
3 PLACES	±	± 0.015			
2 PLACES	± 0.38	± 0.015			
1 PLACE	± 0.38	±			
0 PLACES	±	±			
ANGULAR TOL	± 0.5 °				
DRAFT WHERE APPLICABLE MUST REMAIN WITHIN DIMENSIONS			THIRD ANGLE PROJECTION		
DRAWING		SERIES		MATERIAL NUMBER	
C-SIZE		5557		SEE CHART	
EC NO: 768511		DRWN: JERRYW8		2023/11/02	
CHK'D: XQZHANG		APPR: XQZHANG		2023/11/15	
INITIAL REVISION:		DRWN: GEP		1990/08/08	
APPR: FSMITH		SERIES		2012/05/04	
DOCUMENT NUMBER		DOC TYPE		DOC PART	
55570001-SD		PSD		000	
CUSTOMER		SHEET NUMBER		REVISION	
GENERAL MARKET		1 OF 1		A2	



2 & 4 CKT RECEPTACLE,  
 MINI-FIT JR. SERIES WITH SIDE TABS

PRODUCT CUSTOMER DRAWING

THIS DRAWING REPLACES DRAWING SD-5557-04R1-\*\*\*