

N-Channel 60-V(D-S) MOSFET

V(BR)DSS	RDS(on)MAX	ID
60 V	105mΩ@10V	2.1A
	125mΩ@4.5V	

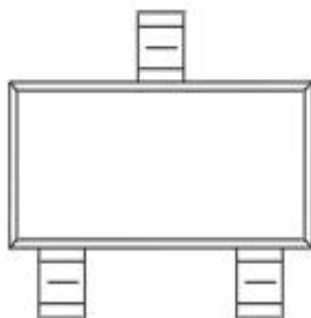
FEATURE

※ TrenchFET Power MOSFET

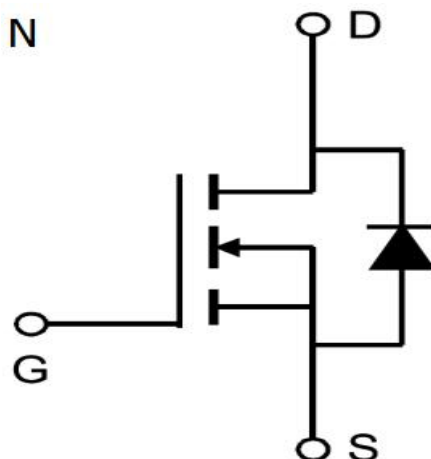
APPLICATION

- ※ Load Switch for Portable Devices
- ※ DC/DC Converter

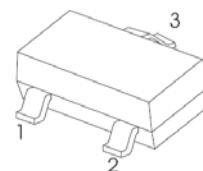
MARKING



Equivalent Circuit



SOT - 23



- 1. GATE
- 2. SOURCE
- 3. DRAIN

Maximum ratings (Ta=25°C unless otherwise noted)

Parameter	Symbol	Value	Unit
Drain-Source Voltage	VDS	60	V
Gate-Source Voltage	VGS	±20	
Continuous Drain Current	ID	2.1	A
Pulsed Diode Current	IDM	10	
Continuous Source-Drain Current(Diode Conduction)	IS	0.85	
Power Dissipation	PD	1.25	W
Thermal Resistance from Junction to Ambient (t≤5s)	RθJA	125	°C/W
Operating Junction	TJ	150	°C
Storage Temperature	TSTG	-55~+150	°C

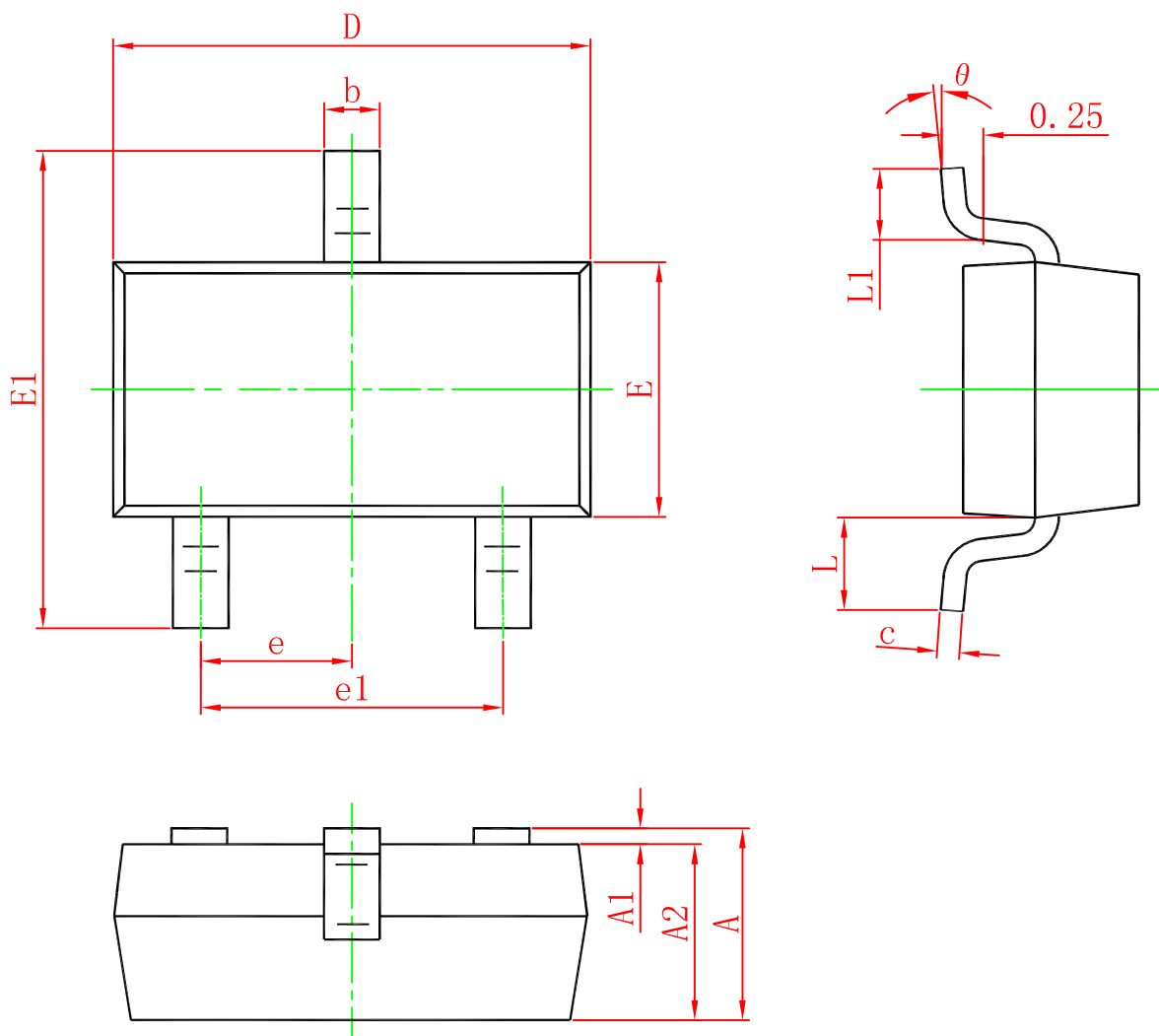
MOSFET ELECTRICAL CHARACTERISTICS
Static Electrical Characteristics (Ta = 25 °C Unless Otherwise Noted)

Parameter	Symbol	Test Condition	Min	Typ	Max	Unit
Static						
Drain-source breakdown voltage	V(BR)DSS	VGS = 0V, ID = 250μA	60			V
Gate-source threshold voltage	VGS(th)	VDS =VGS, ID = 250μA	1		2.5	V
Gate-source leakage	IGSS	VDS =0V, VGS = ±20V			±100	nA
Zero gate voltage drain current	IDSS	VDS = 60V, VGS =0V			1	μA
Drain-source on-state resistancea	RDS(on)	VGS = 10V, ID = 3A		80	105	mΩ
		VGS = 4.5V, ID = 2A		89	125	mΩ
Forward transconductancea	gfs	VDS = 4.5V, ID = 2.1A		11		S
Diode forward voltage	VSD	IS=1.5A,VGS=0V		0.8	1.3	V
Dynamic						
Input capacitance	Ciss	VDS = 25V,VGS =0V, f=1MHz		214	300	pF
Output capacitance	Coss			31		pF
Reverse transfer capacitanceb	Crss			12.6		pF
Total gate charge	Qg	VDS = 25V,VGS = 4.5V, ID = 3A		2.6	3.3	nC
Gate-source charge	Qgs			0.6		nC
Gate-drain charge	Qgd			0.8		nC
Gate resistance	Rg	f=1MHz		1.3	3	Ω
Switchingb						
Turn-on delay time	td(on)	VDS= 25V RL=6Ω, ID ≈ 1A, VGEN= 10V,Rg=3Ω		2.3		ns
Rise time	tr			2.4		ns
Turn-off delay time	td(off)			16.5		ns
Fall time	tf			2		ns
Drain-source body diode characteristics						
Continuous Source-Drain Diode Current	IS	Tc=25°C			3	A

Note :

1. Repetitive Rating : Pulse width limited by maximum junction temperature.
2. Surface Mounted on FR4 Board, t < 5 sec.
3. Pulse Test : Pulse Width≤300μs, Duty Cycle ≤ 2%.
4. Guaranteed by design, not subject to production testing.

SOT-23 PACKAGE OUTLINE DIMENSIONS



Symbol	Dimensions In Millimeters		Dimensions In Inches	
	Min.	Max.	Min.	Max.
A	0.900	1.150	0.035	0.045
A1	0.000	0.100	0.000	0.004
A2	0.900	1.050	0.035	0.041
b	0.300	0.500	0.012	0.020
c	0.080	0.150	0.003	0.006
D	2.800	3.000	0.110	0.118
E	1.200	1.400	0.047	0.055
E1	2.250	2.550	0.089	0.100
e	0.950 TYP.		0.037 TYP.	
e1	1.800	2.000	0.071	0.079
L	0.550 REF.		0.022 REF.	
L1	0.300	0.500	0.012	0.020
θ	0°	8°	0°	8°