
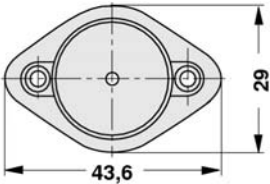
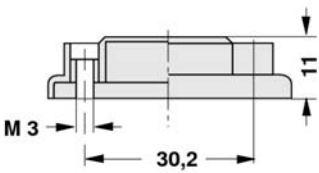

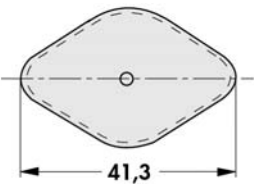
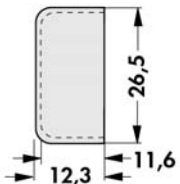


Insulating caps and insulator sleeves

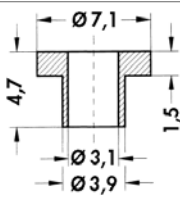
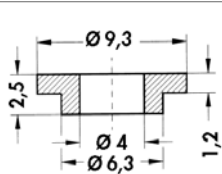
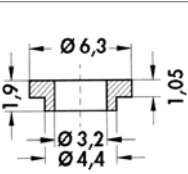
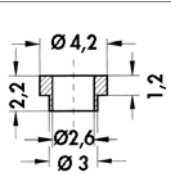
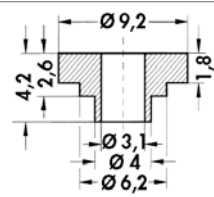
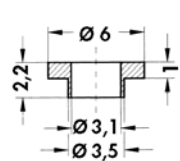
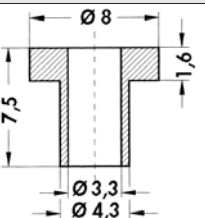
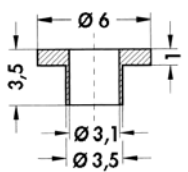
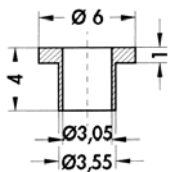
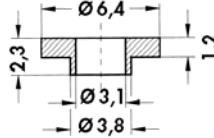
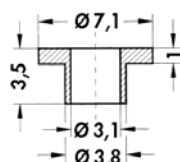
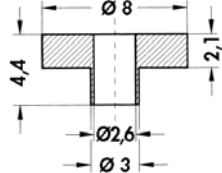
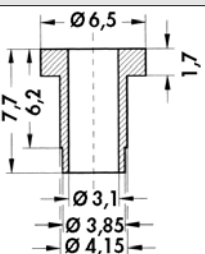
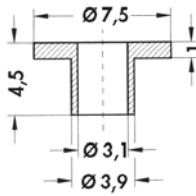
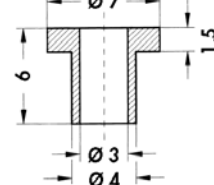
Insulating caps

different transistor flange levels will be compensated by the impressed sleeves

| | | | |
|-----------------|---|---|---|
| art. no. |  |  |  |
| IK 341 3 | | | |
| art. no. |  |  |  |
| IK 3 | | | |

| | |
|---------------------------|---------------------------------|
| material | polyamide, GF reinforced (caps) |
| pressed-in sleeves | brass, nickel-plated |
| flammability | UL 94 V-0 |

Insulator sleeves

| | | | | |
|---|---|---|--|---|
|  |  |  |  |  |
| art. no. IB 1 / IBT 1 | art. no. IB 2 / IBT 2 | art. no. IB 3 / IBT 3 | art. no. IB 4 / IBT 4 | art. no. IB 5 / IBT 5 |
|  |  |  |  |  |
| art. no. IB 6 / IBT 6 | art. no. IB 7 / IBT 7 | art. no. IB 8 / IBT 8 | art. no. IB 9 / IBT 9 | art. no. IB 10 / IBT 10 |
|  |  |  |  |  |
| art. no. IB 11 / IBT 11 | art. no. IB 12 / IBT 12 | art. no. IB 13 / IBT 13 | art. no. IB 14 / IBT 14 | art. no. IB 15 / IBT 15 |

| | | | |
|----------------------------|------------------------------|---------------------|-----------------------|
| | IB 1 - IB 7 | IB 8 - IB 15 | IBT 1 - IBT 15 |
| material | polyamide 4.6, GF reinforced | thermoplastic resin | PTFE (teflon) |
| form stability | -40 °C ... +163 °C | -10 °C ... +200 °C | -260 °C ... +250 °C |
| dielectric strength | >30 KV/mm | >38 KV/mm | >40 KV/mm |
| flammability | UL 94 V-0 | accordant UL 94 V-0 | UL 94 V-0 |

Mica wafers → E ?
 Thermal conductive material → E ? - ?
 Mounting for TO 3 angle → A ?
 Kapton insulator washers → E ?

Aluminium oxide wafers → E ? - ?
 Thermal conductive paste → E ?
 Thermal conductive glue → E ?
 Distance sleeves → E ? - ?