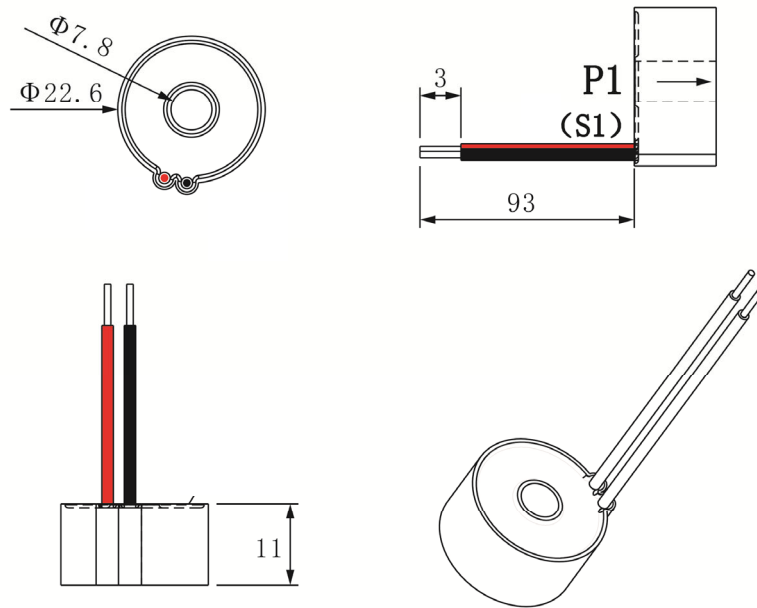


GTA12L Series of precision current transformers

configuration parameter:



Main technical parameters:

model	GTA12L
Rated input current	40A
rated output current	53.3ma
no-load voltage ratio	750:1
phase difference	$\leq 80'$ (40A, 33
linearity range	0-50A (33 Ω) (Sampling resistance is 33 Ω)
	-

degree of linearity	1% (20%~120%)
Isolation and pressure resistance	4KV
usage mode	The primary current flows from P1 into the transformer, and the secondary winding current flows from S1 into the external loop
Sealing method	epoxy resin
working temperature	-40°C~+70°C