

# SPECIFICATIONS

000 04 1987

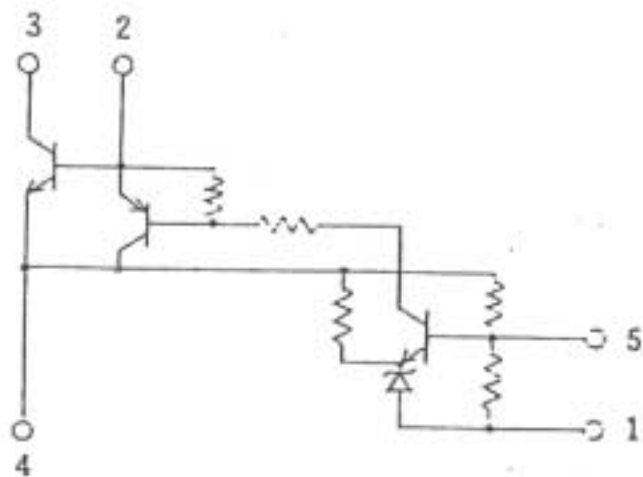
Sanken Hybrid Voltage Regulator Module, STR58041

Messrs :  
Date : June 22, 1987  
Specification No.: SSE16020

## 1. Features:

- a) Hybrid voltage regulator module incorporated triple diffused planar transistor
- b) For SMPS of TV power supply
- c) Fixed output voltage
- d) Transfermolded plastic package

## 2. Equivalent circuit



1. Voltage sensing
2. Base drive
3. Input
4. Ground
5. Vout adjust

## 3. Outline drawings, marking and pin assignment.

Refer to Fig.1

4. The type number and lot number shall be legitimately marked by white color.

## 5. Maximum Ratings

Description	Symbol	Unit	Ratings
Maximum Peak Input Voltage	$V_{IN}$	V	850
Input Current	$I_{IN}$	A	6 (pulse 12A)
Maximum Power Dissipation	$P_D$	W	27 (Tc=100dC)
Operating Temperature	Top	dC	-20 ~ +125 (Tc)
Storage Temperature	Tstg	dC	-30 ~ +125
Junction Temperature of Power Transistor	Tj	dC	+150

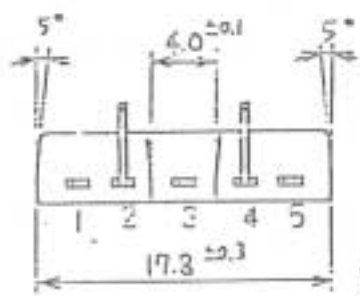
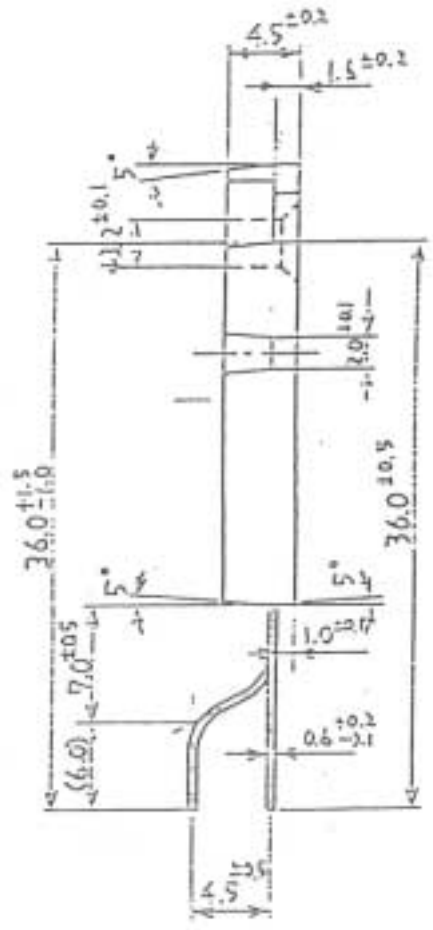
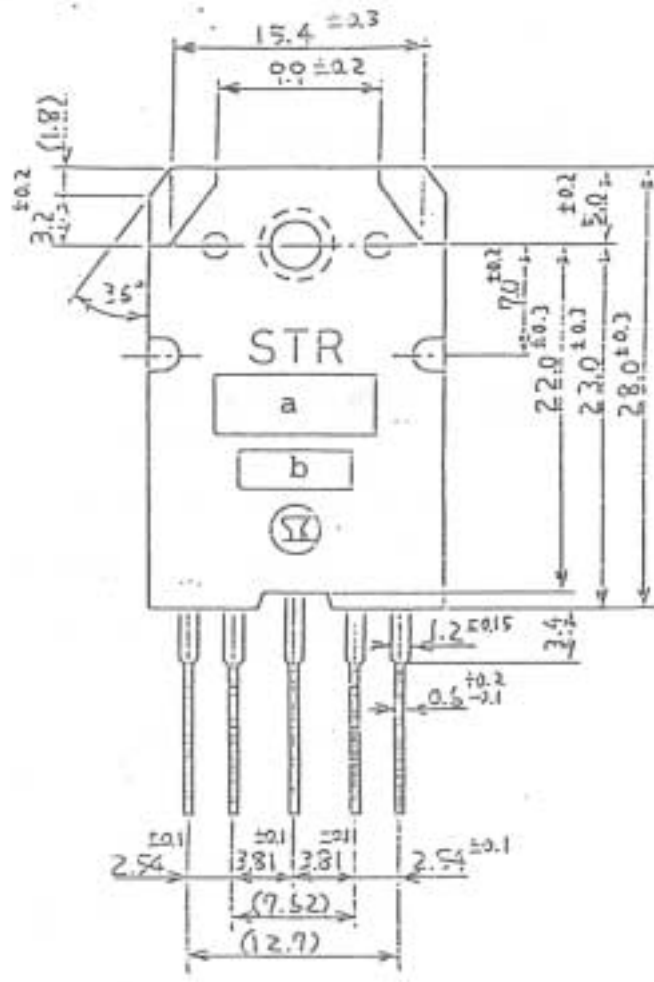
## 6. Electrical Characteristics

Description	Symbol	Test Conditions	Ratings	
Sensing Voltage (Fixed Voltge)	$V_O$	$I_{IN}=7mA$ , Test Circuit No.1	$41.8^{+0.5}_-V$	
Temperature Coefficient of output voltage		Tc=-20 ~ +100dC $I_{IN}=7mA$ , Test C.No.1	$^{+2.0}_-mV/dC$	
Power Transistor	$V_{CE(sat)}$	$I_C=2A$ , $I_B=0.4A$	0.4V Max.	
↓	$h_{FE}$	$V_{CE}=4V$ , $I_C=1A$	Min. 15 Max. 38	
↑	$I_{CEX}$	$V_{CE}=850V$ , $V_{BE}=-1.5V$	1.0mA Max.	
↓	$V_{BE(sat)}$	$I_C=2A$ , $I_B=0.4A$	1.5V Max	
Thermal Resistance	$R_{th(j-c)}$	From junction to metal flange	1.8dC/W	
Switching time		Test Circuit No.2	$t_s$	11.0μsecMax.
			$t_f$	0.5μsecMax.

Remarks: Recommended case temperature is Top(Tc)=100dCMax.

### Suggested Silicone Grease

C746: SHIN-ETSU CHEMICAL INDUSTRY CO., LTD.  
 C747: SHIN-ETSU CHEMICAL INDUSTRY CO., LTD.  
 YG6260: TOSHIBA SILICONE CO., LTD.  
 SC102: TORAY SILICONE CO., LTD.



1. Voltage sensing
2. Base drive
3. Input
4. Ground
5. Vout adjust

a. Type number 58041

b. Lot number

1st number for year  
 2nd number for month  
 1-9: Jan.-Sept.  
 O : Oct.  
 N : Nov.  
 D : Dec.

3rd & 4th number for date

△	4版	・	・	検査	承認	Outline Drawings of 2GR Plastic Molded Package LF No.501	
△	3版	・	・				
△	2版	・	・				
△	1版	・	・	製回	設計		
関連 図番	サンケン電気株式会社				全経 85・11・24 尺歴 2/1	4B-E 0 1244	7/
分枝コード					S S E 16020		