



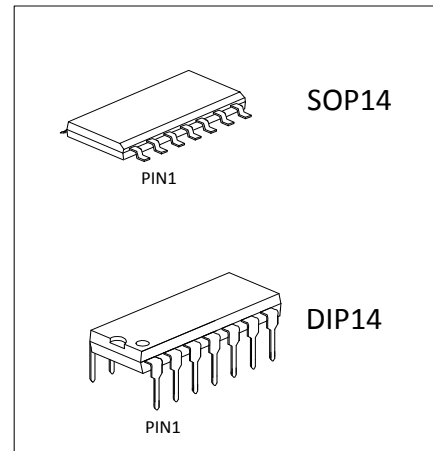
概述

LM339N是一块四比较器集成电路，主要应用于消费类和工业类电子产品中，进行电平检波和低电平探测。

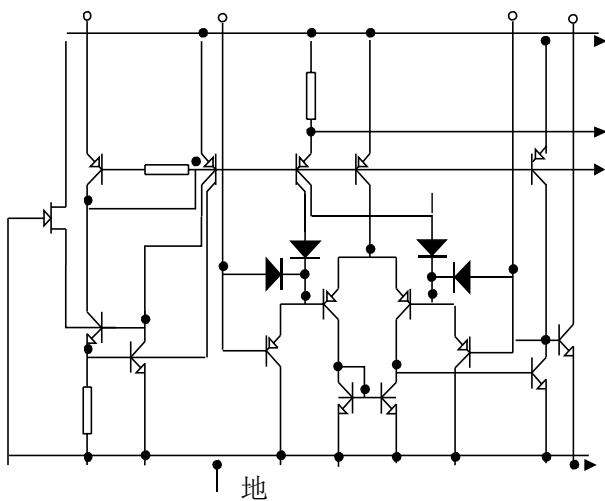
采用 DIP-14、SOP-14 封装形式。

主要特点

- ☞ 单电源或双电源工作
- ☞ 输入偏置电流低：25nA（典型）
- ☞ 输入失调电流低：±5.0nA（典型）
- ☞ 输出饱和电压低：130mV
- ☞ 可与 TTL 及 CMOS 兼容

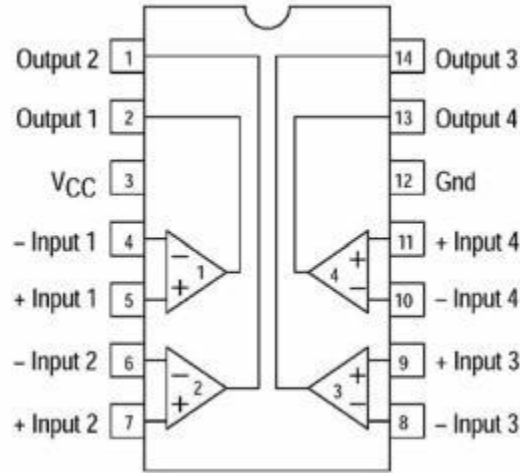


内部电路图





引脚端功能符号



引出端序号	功 能	符 号	引出端序号	功 能	符 号
1	输出 2	OUT2	8	反相输入 3	IN3 (-)
2	输出 1	OUT1	9	正相输入 3	IN3 (+)
3	电源	Vcc	10	反相输入 4	IN4 (-)
4	反相输入 1	IN1 (-)	11	正相输入 4	IN4 (+)
5	正相输入 1	IN1 (+)	12	地	GND
6	反相输入 2	IN2 (-)	13	输出 4	OUT4
7	正相输入 2	IN2 (+)	14	输出 3	OUT3

极限参数 (绝对最大额定值, 若无其它规定, Tamb=25°C)

参 数	符 号	数 值	单 位
电源电压	Vcc	36 或 ±18	V
输入差分电压范围	VIDR	36	V
输入共模电压范围	VICMR	-0.3~Vcc	V
输出电流	ISC	50	mA
功耗 (*)	PD	1.0	W
工作环境温度	Tamb	0~70	°C
贮存温度	Tstg	-65~150	°C

注 (*): 在 25°C 以上使用时, 每升高 1°C, 功耗减少 8mW。

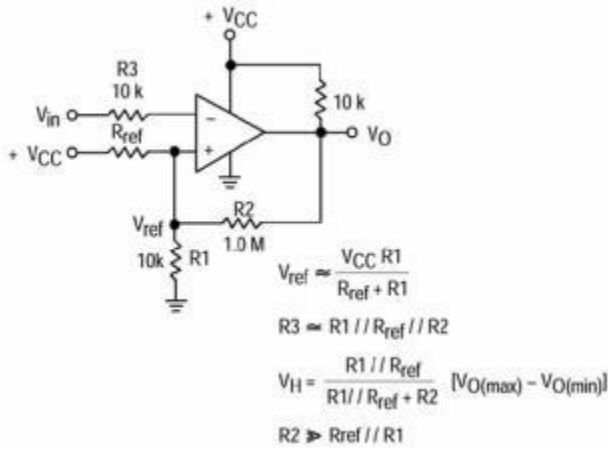


电特性 (若无其它规定, $V_{CC}=5V$, $T_{amb}=25^{\circ}C$)

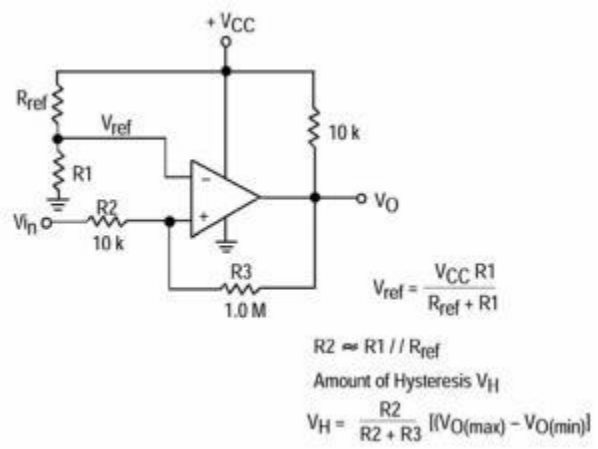
特性	测试条件	符 号	规 范 值			单 位
			最小	典型	最大	
输入失调电压		V_{IO}		± 2.0	± 5.0	mV
	$0^{\circ}C \leq T_a \leq 70^{\circ}C$				± 9.0	
输入失调电流		I_{IO}		± 5.0	± 50	nA
	$0^{\circ}C \leq T_a \leq 70^{\circ}C$				± 150	
输入偏置电流		I_{IB}		25	250	nA
	$0^{\circ}C \leq T_a \leq 70^{\circ}C$				400	
输入共模电压范围		V_{ICR}	0		$V_{CC}-1.5$	V
	$0^{\circ}C \leq T_a \leq 70^{\circ}C$		0		$V_{CC}-2.0$	
电源电流	$R_L = \infty$	I_{CC}		0.8	2.0	mA
	$R_L = \infty, V_{CC} = 30V$				1.0	
电压增益	$R_L > 15K, V_{CC} = 15V$	G_V	50	200		V/mV
大信号响应时间	$V_{IN} = TTL$ 逻辑摆幅, $V_{REF} = 1.4V$, $V_{RL} = 5.0V, R_L = 5.1K$	t_{RES}		300		ns
响应时间	$V_{RL} = 5.0V, R_L = 5.1K$	t_{RES}		1.3		ns
输入差分电压		V_{ID}			V_{CC}	V
输出陷电流	$V_{IN(-)} > 1.0V, V_{IN(+)} = 0V, V_O < 1.5V$	I_{SINK}	6.0	16		mA
输出饱和电压	$V_{IN(-)} > 1.0V, V_{IN(+)} = 0V, I_{SINK} < 4.0mA$	V_{SAT}		130	400	mV
	$V_{IN(-)} > 1.0V, V_{IN(+)} = 0V, I_{SINK} < 4.0mA$ $0^{\circ}C \leq T_a \leq 70^{\circ}C$				700	
输出漏电流	$V_{IN(+)} > 1.0V, V_{IN(-)} = 0V, V_O = 5.0V$	I_{OL}		0.1		nA
	$V_{IN(+)} > 1.0V, V_{IN(-)} = 0V, V_O = 30V$ $0^{\circ}C \leq T_a \leq 70^{\circ}C$				1000	



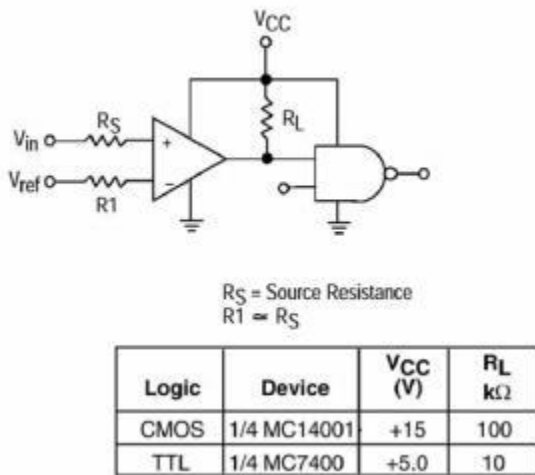
应用图



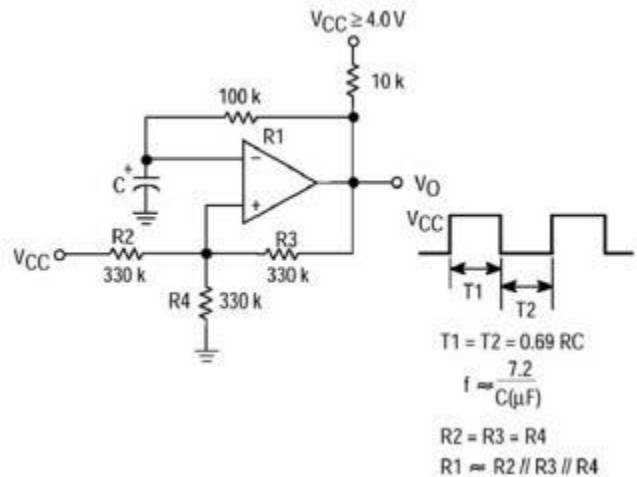
带滞后的反相比较器



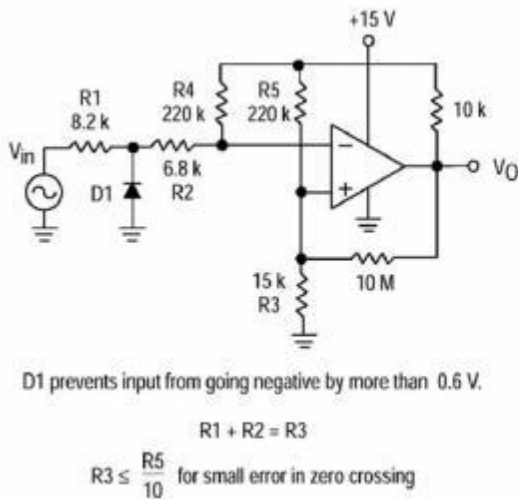
带滞后的正相比较器



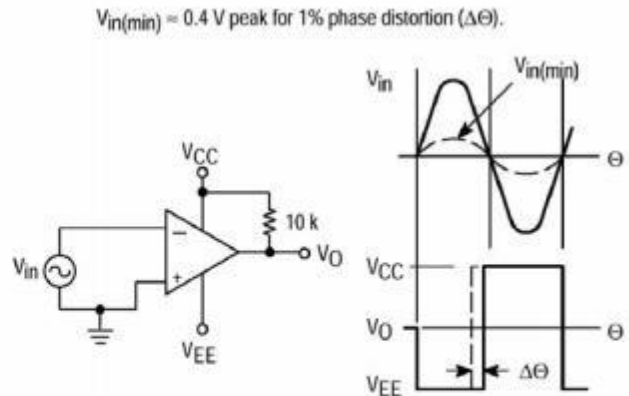
逻辑驱动器



方波振荡器



过零检波器(单电源应用)

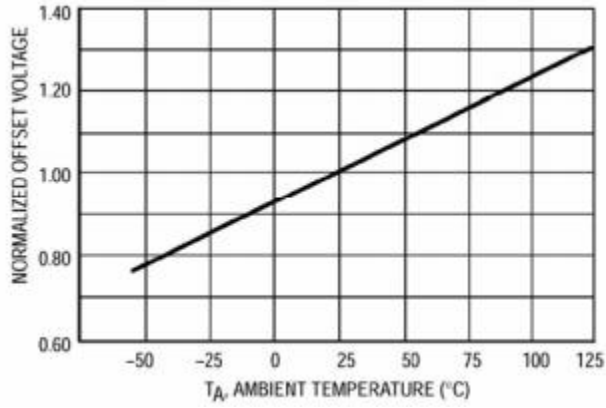


过零检波器(双电源应用)

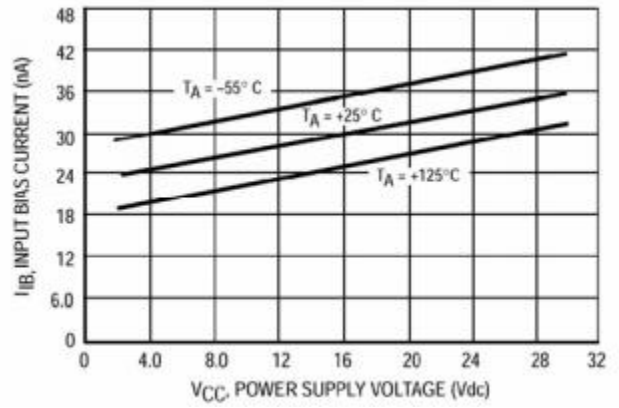


特性曲线

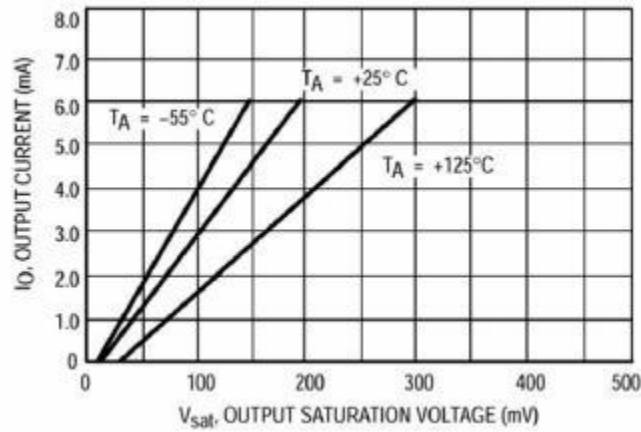
正常输入失调电压



输入偏置电流

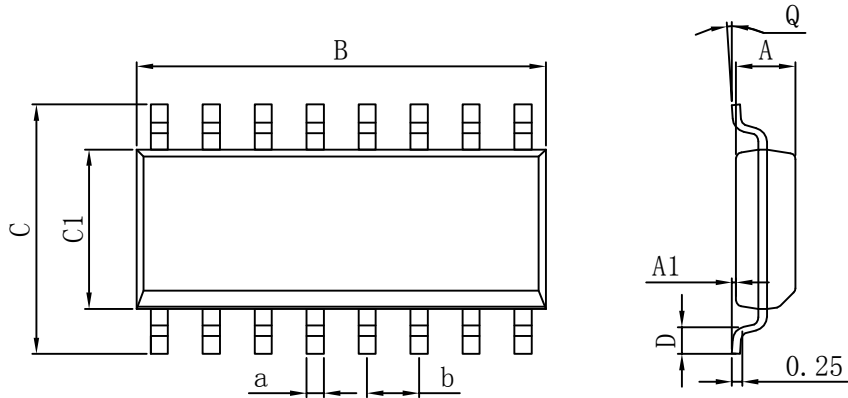


输出陷电流与输出饱和电压



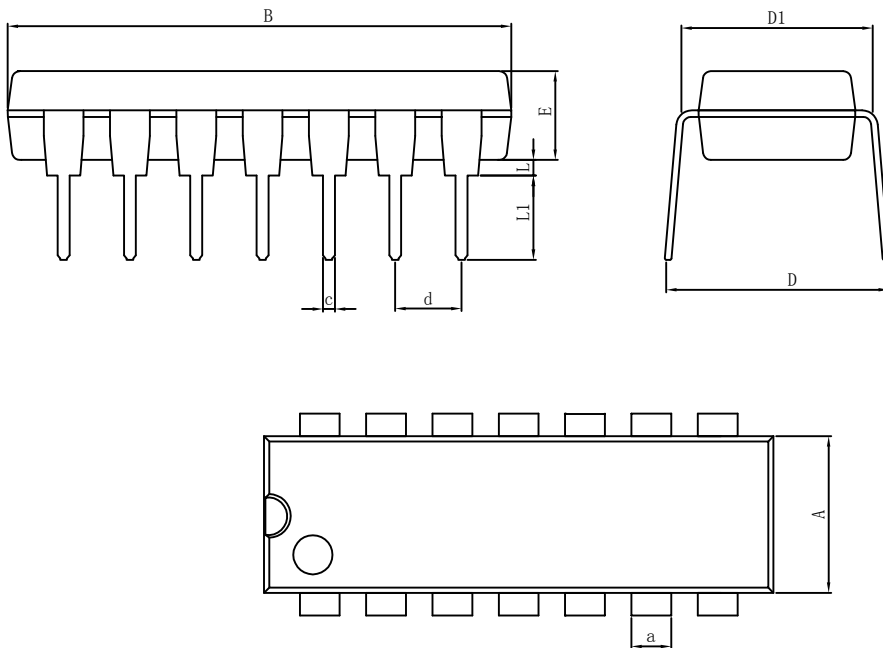


SOP14



UNIT: mm							
DIM.	MIN	TYP	MAX	DIM.	MIN	TYP	MAX
A	4.520	4.570	4.620	a	0.400	0.420	0.440
A1	0.100	-	0.250	b	1.260	1.270	1.280
B	8.500	8.750	9.000	Q	0°	-	8°
C	5.800	6.100	6.250				
C1	3.800	3.900	4.000				
D	0.400	-	0.950				

DIP14



UNIT: mm							
DIM.	MIN	TYP	MAX	DIM.	MIN	TYP	MAX
A	6.100	6.300	6.680	a	1.504	1.524	1.544
B	18.940	19.200	19.560	c	0.437	0.457	0.477
D	8.200	8.700	9.200	d	2.530	2.540	2.550
D1	7.42	7.62	7.82	L	0.500	-	0.800
E	3.100	3.300	3.550	L1	3.000	3.200	3.600



Attention

- Any and all HUA XUAN YANG ELECTRONICS products described or contained herein do not have specifications that can handle applications that require extremely high levels of reliability, such as life-support systems, aircraft's control systems, or other applications whose failure can be reasonably expected to result in serious physical and/or material damage. Consult with your HUA XUAN YANG ELECTRONICS representative nearest you before using any HUA XUAN YANG ELECTRONICS products described or contained herein in such applications.
- HUA XUAN YANG ELECTRONICS assumes no responsibility for equipment failures that result from using products at values that exceed, even momentarily, rated values (such as maximum ratings, operating condition ranges, or other parameters) listed in products specifications of any and all HUA XUAN YANG ELECTRONICS products described or contained herein.
- Specifications of any and all HUA XUAN YANG ELECTRONICS products described or contained herein stipulate the performance, characteristics, and functions of the described products in the independent state, and are not guarantees of the performance, characteristics, and functions of the described products as mounted in the customer's products or equipment. To verify symptoms and states that cannot be evaluated in an independent device, the customer should always evaluate and test devices mounted in the customer's products or equipment.
- HUA XUAN YANG ELECTRONICS CO.,LTD. strives to supply high-quality high-reliability products. However, any and all semiconductor products fail with some probability. It is possible that these probabilistic failures could give rise to accidents or events that could endanger human lives, that could give rise to smoke or fire, or that could cause damage to other property. When designing equipment, adopt safety measures so that these kinds of accidents or events cannot occur. Such measures include but are not limited to protective circuits and error prevention circuits for safe design, redundant design, and structural design.
- In the event that any or all HUA XUAN YANG ELECTRONICS products(including technical data, services) described or contained herein are controlled under any of applicable local export control laws and regulations, such products must not be exported without obtaining the export license from the authorities concerned in accordance with the above law.
- No part of this publication may be reproduced or transmitted in any form or by any means, electronic or mechanical, including photocopying and recording, or any information storage or retrieval system, or otherwise, without the prior written permission of HUA XUAN YANG ELECTRONICS CO.,LTD.
- Information (including circuit diagrams and circuit parameters) herein is for example only ; it is not guaranteed for volume production. HUA XUAN YANG ELECTRONICS believes information herein is accurate and reliable, but no guarantees are made or implied regarding its use or any infringements of intellectual property rights or other rights of third parties.
- Any and all information described or contained herein are subject to change without notice due to product/technology improvement, etc. When designing equipment, refer to the "Delivery Specification" for the HUA XUAN YANG ELECTRONICS product that you intend to use.