

Low Power Single Operational Amplifier

Description

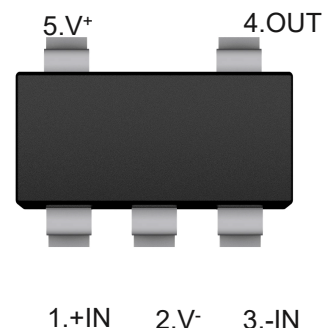
LM321 is a low power, wide power range performance operational amplifier; The static current is only 430 μA per amplifier (5V) with high unit gain frequency and A voltage swing rate of 0.4V/ μs . Input common model circuit includes ground, so the device can operate in single - and dual-power applications. It can also comfortably drive large capacity loads.

Features

- Low quiescent current
- Low input bias current
- Wide range of supply voltage
- High capacity load stability

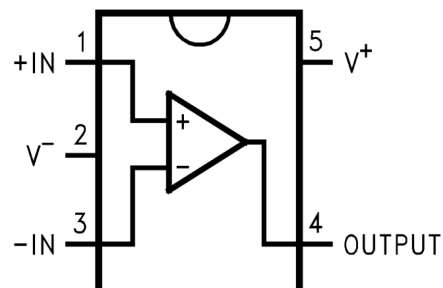
Application

- Communication infrastructure
- Battery charger
- Power supply



SOT-23-5

Pin arrangement diagram



Absolute Maximum Ratings (T_A=25°C)

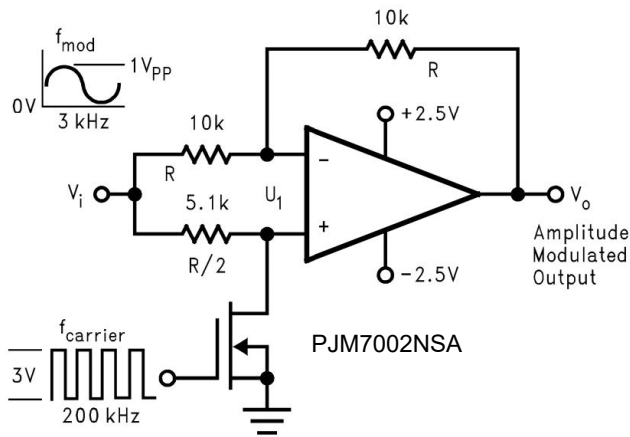
Parameter	Symbol	Value	Units
Supply Voltage	V _{CC}	24 or ±12	V
Differential Input Voltage	V _{ID}	24	V
Input Voltage	V _{IN}	-0.3~V _{CC}	V
Power Dissipation	P _D	530	mW
Output Short Circuit to GND V _o ≤15V, T _a =25°C	I _o	Continuous	
Input Current V _{IN} <-0.3V	I _{IN}	50	mA
Junction Temperature	T _J	150	°C
Operating Temperature Range	T _{OPR}	0 to 70	°C
Storage Temperature Range	T _{STG}	-65 to 150	°C

Electrical Characteristics

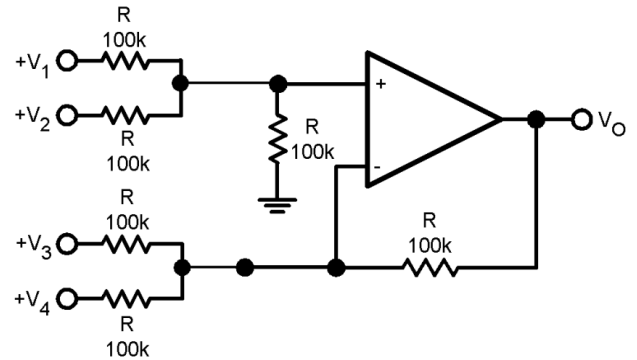
 At V_{CC}=5V, unless otherwise noted.

Parameter	Symbol	Conditions	Min.	Typ.	Max.	Units	
Input Offset Voltage	V _{OS}	T _a =25°C	--	±2	±5	mV	
Input offset current	I _{OS}	T _a =25°C, I _{IN} (+) - I _{IN} (-), V _{CM} =0V	--	±3	±50	nA	
Input bias current	I _B	T _a =25°C, I _{IN} (+) or I _{IN} (-), V _{CM} =0V	--	±45	±250	nA	
Common-mode input voltage range	V _{CM}	T _a =25°C, V ⁺ =24V	0	--	V _{CC} -1.5	V	
Supply current	I _S	V _{CC} =24V, R _L =∞	--	0.7	2	mA	
		V _{CC} =5V, R _L =∞	--	0.5	1.2		
Common Mode Rejection	CMRR	V _{CM} = 0~V _{CC} -1.5V, T _a =25°C, DC	65	90	--	dB	
Power Supply Rejection	PSRR	V _{CC} = 5V~24V, T _a =25°C, DC	65	100	--	dB	
Large signal voltage gain	A _V	V _{CC} = 15V, T _a =25°C, R _L ≥ 2kΩ (for V _o =1~11V)	25	100	--	V/mV	
Output voltage swing	V _O	V _{OH}	V _{CC} = 24V, R _L = 2 kΩ	22	--	--	V
			V _{CC} = 24V, R _L =10 kΩ	22	--	--	V
		V _{OL}	V _{CC} = 5V, R _L =10 kΩ	--	5	20	mV
Output Current Sourcing	I _{SOURCE}	V _{IN} (+) = 1V, V _{IN} (-) = 0V, V _{CC} =15V, V _O =2V, T _a =25°C	20	40	--	mA	
Output Current Sinking	I _{SINK}	V _{IN} (+) = 0V, V _{IN} (-) = 1V, V _{CC} =15V, V _O =2V, T _a =25°C	10	15	--	mA	
		V _{IN} (+) = 0V, V _{IN} (-) = 1V, V _{CC} =15V, V _O =200mV, T _a =25°C	12	50	--	μA	
Output Short Circuit to Ground	I _o	V _{CC} =15V, T _a =25°C	--	40	60	mA	

Typical Applications



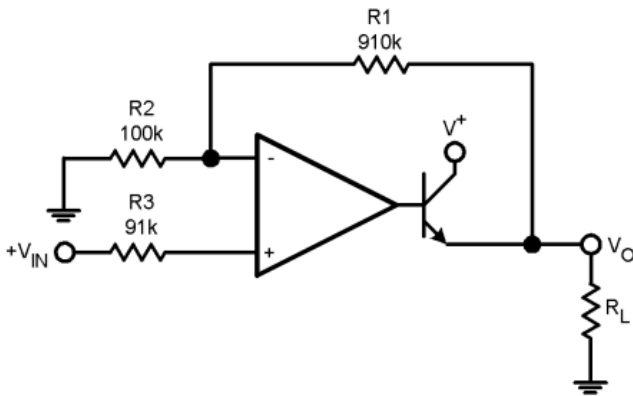
Amplitude modulator circuit



Note: $V_o = V_1 + V_2 - V_3 - V_4, (V_1 + V_2) \geq (V_3 + V_4)$ for $V_o \geq 0V_{Dc}$

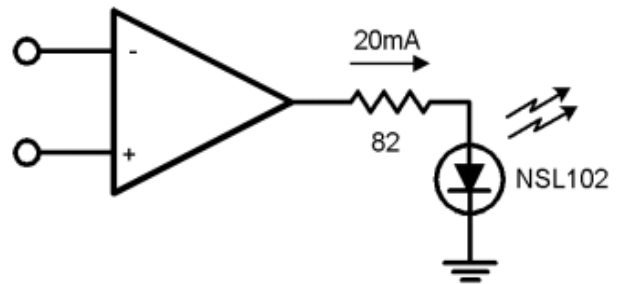
DC adder amplifier

($V_{IN's} \geq 0V_{Dc}, V_o \geq V_{Dc}$)

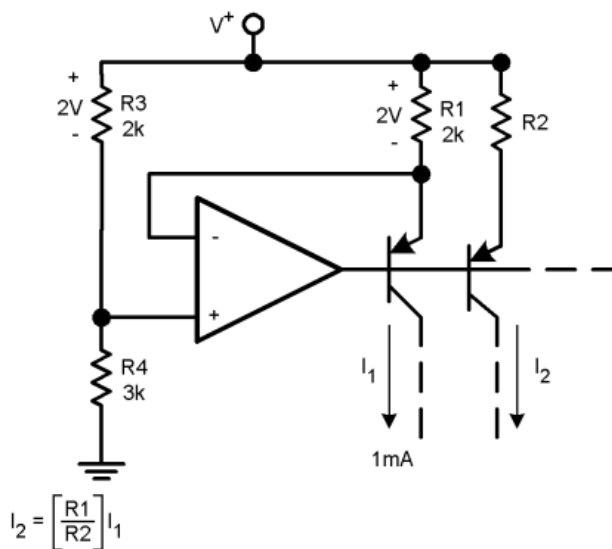


$V_o = 0V_{Dc}$ for $V_{IN} = 0V_{Dc}, A_v = 10$

Power Amplifier

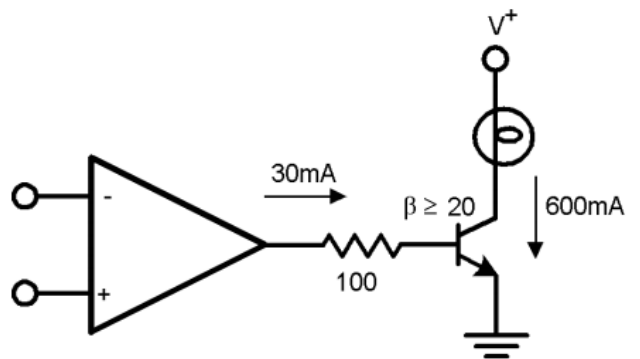


LED Driver



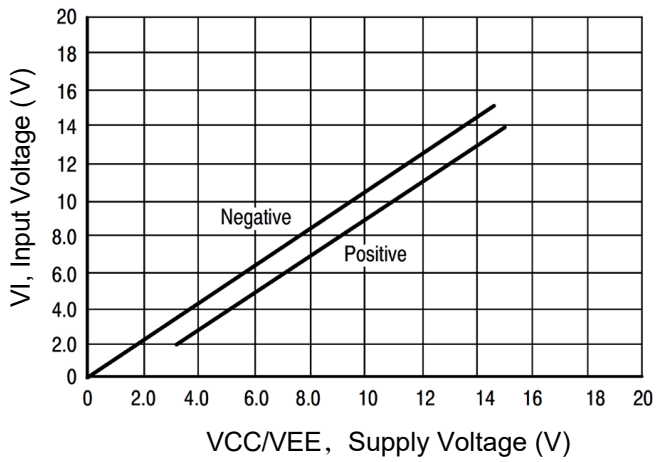
$$I_2 = \left[\frac{R_1}{R_2} \right] I_1$$

Fixed current source

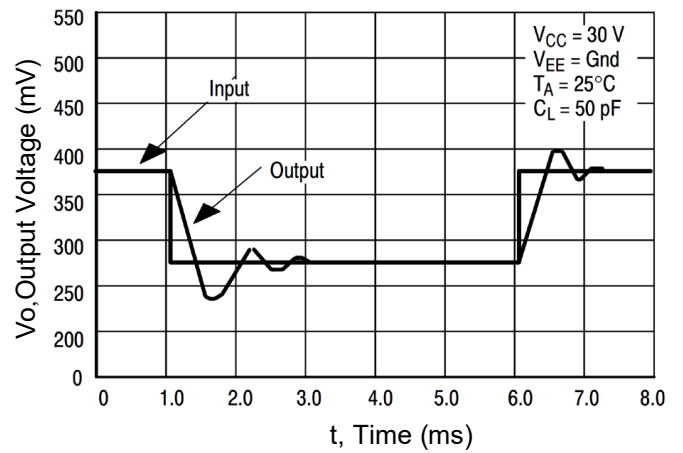


Lamp Driver

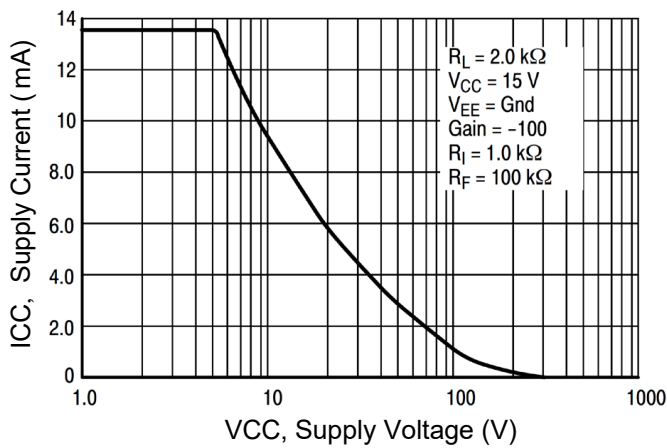
Typical characteristic curve



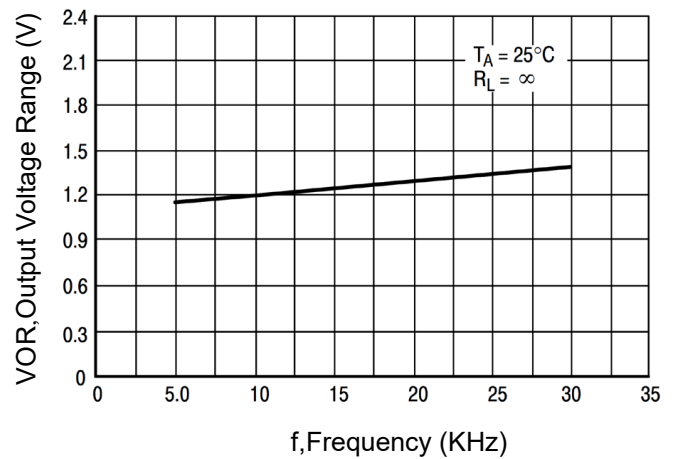
Input Voltage Range



Small signal voltage follower impulse response (same direction)



Supply current (static power consumption)



Large signal frequency response

Package Outline

SOT-23-5

Dimensions in mm

