

QPD W3PE2,5 M25 FC BK - Panel feed-through



1423986

<https://www.phoenixcontact.com/us/products/1423986>

Please be informed that the data shown in this PDF document is generated from our online catalog. Please find the complete data in the user documentation. Our general terms of use for downloads are valid.



Panel feed-through, product family: QPD, connection method: Spade connection, number of positions: 3+PE, M25, Pin, 1 mm² ... 2.5 mm², 690 V, 20 A, PA, black, without QUICKON nut, coding: coded, 2.5 mm²

Your advantages

- Innovative and time saving - QUICKON fast connection for time saving of up to 80 % for on-site connection
- Robust throughout: housing with IP68/IP69K and IK07 protection for a wide range of applications
- Safer connection with mechanical coding to protect against mismatching, and touch-proof protection in accordance with DIN EN 0105
- Efficient - by using panel feed-throughs, devices no longer need to be opened in order to connect cables

Commercial data

Item number	1423986
Packing unit	1 pc
Minimum order quantity	1 pc
Sales key	BF50
Product key	BF6ABB
Catalog page	Page 485 (C-2-2019)
GTIN	4055626366036
Weight per piece (including packing)	26.4 g
Weight per piece (excluding packing)	22.22 g
Customs tariff number	85366990
Country of origin	PL

QPD W3PE2,5 M25 FC BK - Panel feed-through



1423986

<https://www.phoenixcontact.com/us/products/1423986>

Technical data

Product properties

Product type	Panel feed-through
Product family	QPD
Type	QPD 4x2,5
Number of positions	4
Connection profile	3+PE
Position marking	1, 2, 3, PE
Number of connections	10
Number of connections per position	1
Coding	coded

Insulation characteristics

Overvoltage category	III
Degree of pollution	3

Data management status

Article revision	02
------------------	----

Connection data

Connection technology

Connection method On the device side	Spade connection
Frequency of connections between conductors of the same cross section	max. 10

Conductor connection

Conductor cross section flexibel	1 mm ² ... 2.5 mm ²
Conductor cross section solid	1 mm ² ... 2.5 mm ²
Connection cross section AWG	16 ... 14
Tightening torque Union nut	10 Nm
Tightening torque Locking nut	5 Nm

Dimensions

Dimensional drawing	
Width	30 mm
Height	30 mm
Length	47.7 mm
Diameter	30 mm

Electrical properties

QPD W3PE2,5 M25 FC BK - Panel feed-through



1423986

<https://www.phoenixcontact.com/us/products/1423986>

Rated surge voltage (II/2)	6 kV
Rated surge voltage (III/2)	6 kV
Rated surge voltage (III/3)	6 kV
Rated current	20 A
Contact resistance	< 3 mΩ
rated voltage (II/2)	1000 V
rated voltage (III/2)	690 V
Rated voltage (III/3)	690 V
Nominal voltage U_N	690 V AC
	690 V DC
Nominal current I_N	20 A

Mechanical properties

Mechanical data

Insertion/withdrawal cycles	max. 50
-----------------------------	---------

Material specifications

Color	black (RAL 9005)
Material Housing	PA
Material Contact	Cu
Material Contact surface	silver-plated
Flammability rating according to UL 94	V0
Material wire insulation	PVC/PE/TPE/rubber

Cable/line

Structure of individual litz in acc. with VDE 0295 / smallest wire diameter	VDE 0295 class 1 to 6/min. 0.15 mm
Wire diameter including insulation	2 mm ... 3.6 mm
Position marking	1, 2, 3, PE
Cable cross section	2.5 mm ²
Material wire insulation	PVC/PE/TPE/rubber
Halogen-free	yes

Mounting

Mounting type	Front mounting M25
---------------	--------------------

Environmental and real-life conditions

Ambient conditions

Degree of protection	IP66
	IP68 (2 m / 24 h)
	IP69K
	Touch-proof when not plugged in (IP2X)
Impact strength	IK07
Ambient temperature (operation)	-40 °C ... 100 °C

QPD W3PE2,5 M25 FC BK - Panel feed-through



1423986

<https://www.phoenixcontact.com/us/products/1423986>

Temperature when conductor connected	-5 °C ... 50 °C
Ambient temperature (storage/transport)	-40 °C ... 100 °C

QPD W3PE2,5 M25 FC BK - Panel feed-through

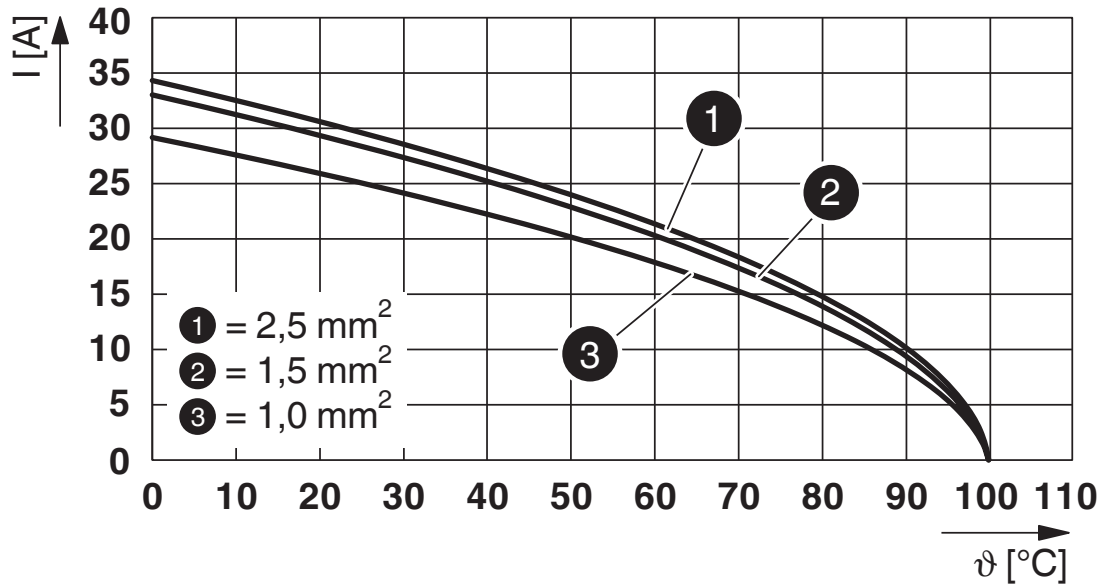


1423986

<https://www.phoenixcontact.com/us/products/1423986>

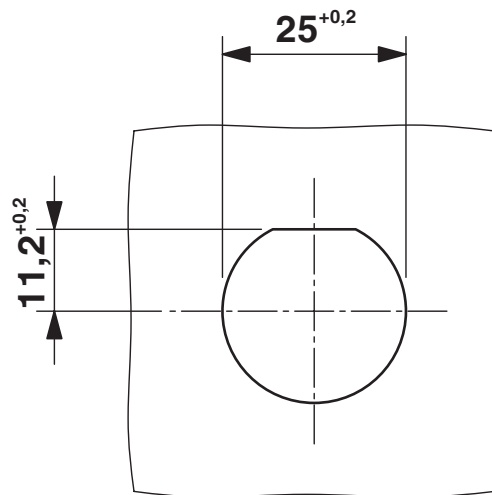
Drawings

Diagram



Derating diagram

Dimensional drawing



Panel cutout

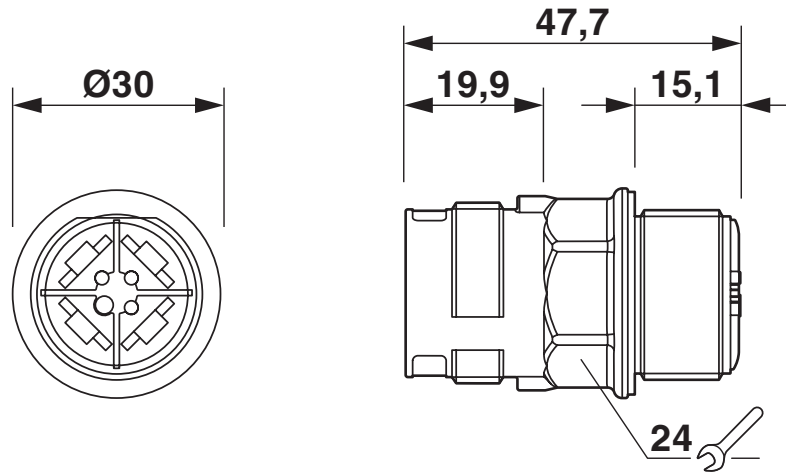
QPD W3PE2,5 M25 FC BK - Panel feed-through

1423986

<https://www.phoenixcontact.com/us/products/1423986>



Dimensional drawing



QPD W3PE2,5 M25 FC BK - Panel feed-through



1423986

<https://www.phoenixcontact.com/us/products/1423986>

Approvals

To download certificates, visit the product detail page: <https://www.phoenixcontact.com/us/products/1423986>



IECEE CB Scheme

Approval ID: DE1-65875



VDE approval of drawings

Approval ID: 40029149

	Nominal voltage U_N	Nominal current I_N	Cross section AWG	Cross section mm^2
Only flexible conductors	400 V	20 A	-	1.5 - 2.5
Only rigid conductors	690 V	20 A	-	1.5 - 2.5



UL Listed

Approval ID: E468743

	Nominal voltage U_N	Nominal current I_N	Cross section AWG	Cross section mm^2
	600 V	15 A	-	- 14



cUL Listed

Approval ID: E468743

	Nominal voltage U_N	Nominal current I_N	Cross section AWG	Cross section mm^2
	600 V	15 A	- 14	-

cULus Listed

QPD W3PE2,5 M25 FC BK - Panel feed-through



1423986

<https://www.phoenixcontact.com/us/products/1423986>

Classifications

ECLASS

ECLASS-11.0	27440602
ECLASS-12.0	27440602
ECLASS-13.0	27440602

ETIM

ETIM 9.0	EC002566
----------	----------

UNSPSC

UNSPSC 21.0	39121500
-------------	----------

QPD W3PE2,5 M25 FC BK - Panel feed-through



1423986

<https://www.phoenixcontact.com/us/products/1423986>

Environmental product compliance

EU RoHS

Fulfills EU RoHS substance requirements	Yes, No exemptions
---	--------------------

China RoHS

Environment friendly use period (EFUP)	EFUP-E
	No hazardous substances above the limits

EU REACH SVHC

REACH candidate substance (CAS No.)	No substance above 0.1 wt%
-------------------------------------	----------------------------

EF3.0 Climate Change

CO2e kg	0.282 kg CO2e
---------	---------------

QPD W3PE2,5 M25 FC BK - Panel feed-through

1423986

<https://www.phoenixcontact.com/us/products/1423986>

Mandatory accessories

QPD P3PE2,5 6-10 BK - Connector

1423987

<https://www.phoenixcontact.com/us/products/1423987>



Connector, product family: QPD, connection method: IDC connection, number of positions: 3+PE, 1 mm² ... 2.5 mm², 690 V, 20 A, PA, black, with QUICKON nut, coding: Coding profile, external cable diameter: 6 mm ... 10 mm

QPD P3PE2,5 9-14 BK - Connector

1423988

<https://www.phoenixcontact.com/us/products/1423988>



Connector, product family: QPD, connection method: IDC connection, number of positions: 3+PE, 1 mm² ... 2.5 mm², 690 V, 20 A, PA, black, with QUICKON nut, coding: Coding profile, external cable diameter: 9 mm ... 14 mm

QPD W3PE2,5 M25 FC BK - Panel feed-through

1423986

<https://www.phoenixcontact.com/us/products/1423986>

QPD N2,5 6-10 BK - Nut

1423993

<https://www.phoenixcontact.com/us/products/1423993>



Nut, product family: QPD, connection method: IDC connection, 1 mm² ... 2.5 mm², 690 V, 20 A, PA, black, external cable diameter: 6 mm ... 10 mm

QPD N2,5 9-14 BK - Nut

1423994

<https://www.phoenixcontact.com/us/products/1423994>



Nut, product family: QPD, connection method: IDC connection, 1 mm² ... 2.5 mm², 690 V, 20 A, PA, black, external cable diameter: 9 mm ... 14 mm

QPD W3PE2,5 M25 FC BK - Panel feed-through



1423986

<https://www.phoenixcontact.com/us/products/1423986>

Q-MU M25 - Nut

1640715

<https://www.phoenixcontact.com/us/products/1640715>

Nut (plastic) to lock the contact carrier from the inside of the device



Accessories

CP QPD 4X2,5 - Coding profile

1425950

<https://www.phoenixcontact.com/us/products/1425950>

Coding profile red, for pushing into the QUICKON dome and connector, can be positioned in 90° steps.



QPD W3PE2,5 M25 FC BK - Panel feed-through

1423986

<https://www.phoenixcontact.com/us/products/1423986>

QPD QSK 5X1,5 - Protective cap

1414758

<https://www.phoenixcontact.com/us/products/1414758>

Protective cap plastic, for QPD-QUICKON connection 5x 1.5 mm², IP50



QPD QSK BK 5X1,5 FS - Protective cap

1414728

<https://www.phoenixcontact.com/us/products/1414728>

Protective cap, plastic, for QUICKON connection, black, with retaining cord, IP68



QPD W3PE2,5 M25 FC BK - Panel feed-through

1423986

<https://www.phoenixcontact.com/us/products/1423986>



QPD W3PE2,5 M25 0,5 BK - Panel feed-through

1423983

<https://www.phoenixcontact.com/us/products/1423983>



Panel feed-through, product family: QPD, connection method: Single wires (Welded-on), number of positions: 3+PE, M25, Pin, 1 mm² ... 2.5 mm², 690 V, 20 A, PA, black, without QUICKON nut, coding: coded, 2.5 mm², wires cut flat at the end, cable length: 0.5 m

QPD W3PE2,5 M25 1,0 BK - Panel feed-through

1423984

<https://www.phoenixcontact.com/us/products/1423984>



Panel feed-through, product family: QPD, connection method: Single wires (Welded-on), number of positions: 3+PE, M25, Pin, 1 mm² ... 2.5 mm², 690 V, 20 A, PA, black, without QUICKON nut, coding: coded, 2.5 mm², wires cut flat at the end, cable length: 1 m

QPD W3PE2,5 M25 FC BK - Panel feed-through

1423986

<https://www.phoenixcontact.com/us/products/1423986>



QPD W3PE2,5 M25 DT BK - Panel feed-through

1423985

<https://www.phoenixcontact.com/us/products/1423985>



Panel feed-through, product family: QPD, connection method: Push-in connection, number of positions: 3+PE, M25, Pin, 1 mm² ... 2.5 mm², 400 V, 20 A, PA, black, without QUICKON nut, coding: coded, 2.5 mm²

QPD H3PE2,5 BK - H distributor

1423973

<https://www.phoenixcontact.com/us/products/1423973>



H distributor, product family: QPD, connection method: IDC connection/ QUICKON fast connection, number of positions: 3+PE, 1 mm² ... 2.5 mm², 690 V, 20 A, PA, black, without QUICKON nut, coding: Coding profile

QPD W3PE2,5 M25 FC BK - Panel feed-through

1423986

<https://www.phoenixcontact.com/us/products/1423986>

QPD C3PE2,5 1X6-10 BK - Conductor connector

1423991

<https://www.phoenixcontact.com/us/products/1423991>



Conductor connector, product family: QPD, connection method: IDC connection, number of positions: 3+PE, 1 mm² ... 2.5 mm², 690 V, 20 A, PA, black, with one QUICKON nut, coding: Coding profile, external cable diameter: 6 mm ... 10 mm

QPD C3PE2,5 1X9-14 BK - Conductor connector

1423992

<https://www.phoenixcontact.com/us/products/1423992>



Conductor connector, product family: QPD, connection method: IDC connection, number of positions: 3+PE, 1 mm² ... 2.5 mm², 690 V, 20 A, PA, black, with one QUICKON nut, coding: Coding profile, external cable diameter: 9 mm ... 14 mm

QPD W3PE2,5 M25 FC BK - Panel feed-through

1423986

<https://www.phoenixcontact.com/us/products/1423986>

QPD T3PE2,5 2X6-10 BK - T distributor

1424047

<https://www.phoenixcontact.com/us/products/1424047>



T distributor, product family: QPD, connection method: IDC connection, number of positions: 3+PE, 1 mm² ... 2.5 mm², 690 V, 20 A, PA, black, With two QUICKON nuts, coding: Coding profile, external cable diameter: 6 mm ... 10 mm

QPD T3PE2,5 2X9-14 BK - T distributor

1424048

<https://www.phoenixcontact.com/us/products/1424048>



T distributor, product family: QPD, connection method: IDC connection, number of positions: 3+PE, 1 mm² ... 2.5 mm², 690 V, 20 A, PA, black, With two QUICKON nuts, coding: Coding profile, external cable diameter: 9 mm ... 14 mm

QPD W3PE2,5 M25 FC BK - Panel feed-through

1423986

<https://www.phoenixcontact.com/us/products/1423986>



QSS 22 - Socket wrench

1670206

<https://www.phoenixcontact.com/us/products/1670206>



Allen wrench, for loosening and fastening the QUICKON union nut, WAF 22 mm

Phoenix Contact 2024 © - all rights reserved

<https://www.phoenixcontact.com>

Phoenix Contact USA

586 Fulling Mill Road

Middletown, PA 17057, United States

(+717) 944-1300

info@phoenixcon.com