

280360 ✓ ACTIVE

AMPMODU | AMPMODU IV/V

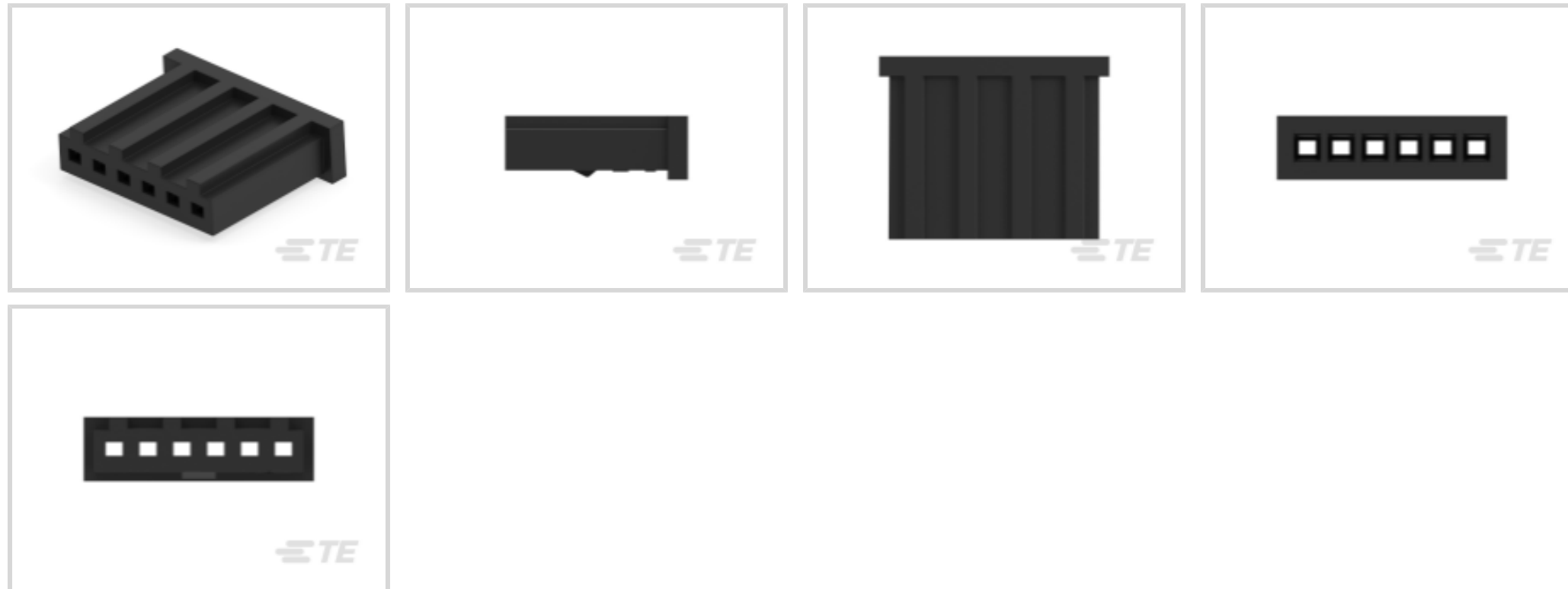
TE Internal #: 280360

Housing, Receptacle, Wire-to-Board, 6 Position, .1 in [2.54 mm]  
Centerline, Crimp, 1 Row, Black, Mating Retention, Wire & Cable,  
Signal, AMPMODU IV/V

[View on TE.com >](#)



Connectors > PCB Connectors > Wire-to-Board Connectors > Wire-to-Board Connector Assemblies & Housings



Connector Product Type: **Housing**

Connector & Housing Type: **Receptacle**

Connector System: **Wire-to-Board**

Number of Positions: **6**

Centerline (Pitch): **2.54 mm [.1 in]**

## Features

### Product Type Features

Connector Product Type	Housing
Connector & Housing Type	Receptacle
Connector System	Wire-to-Board
Connector & Contact Terminates To	Wire & Cable

### Configuration Features

Number of Positions	6
Number of Rows	1

### Body Features

Primary Product Color	Black
-----------------------	-------

### Contact Features

Contact Layout	Inline
Contact Type	Socket
Contact Current Rating (Max)	3 A

### Termination Features

Termination Method to Wire & Cable	Crimp
------------------------------------	-------

### Mechanical Attachment

Panel Mount Feature	Without
PCB Mount Retention	Without
Mating Retention Type	Detent Latching
Mating Retention	With
Connector Mounting Type	Cable Mount (Free-Hanging)

### Housing Features

Housing Entry Configuration	Both Ends Closed
Housing Material	LCP (Liquid Crystal Polymer)
Centerline (Pitch)	2.54 mm[.1 in]

### Dimensions

Connector Length	7.1 mm
Connector Height	3.1 mm[.12 in]
Row-to-Row Spacing	2.54 mm[.1 in]

### Usage Conditions

Operating Temperature Range	-40 – 80 °C[-40 – 176 °F]
-----------------------------	---------------------------

### Operation/Application

Circuit Application	Signal
---------------------	--------

### Industry Standards

Glow Wire Rating	Standard Part - Not Glow Wire
UL Flammability Rating	UL 94V-0

### Packaging Features

Packaging Quantity	1000
Packaging Method	Bag

### Product Compliance

[For compliance documentation, visit the product page on TE.com>](#)

EU RoHS Directive 2011/65/EU	Compliant
EU ELV Directive 2000/53/EC	Compliant
China RoHS 2 Directive MIIT Order No 32, 2016	No Restricted Materials Above Threshold



EU REACH Regulation (EC) No. 1907/2006

Current ECHA Candidate List: JUNE 2023 (235)

Candidate List Declared Against: JUNE 2023 (235)

Does not contain REACH SVHC

Halogen Content

Low Halogen - Br, Cl, F, I < 900 ppm per homogenous material. Also BFR/CFR/PVC Free

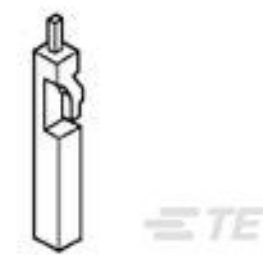
Solder Process Capability

Not applicable for solder process capability

Product Compliance Disclaimer

This information is provided based on reasonable inquiry of our suppliers and represents our current actual knowledge based on the information they provided. This information is subject to change. The part numbers that TE has identified as EU RoHS compliant have a maximum concentration of 0.1% by weight in homogenous materials for lead, hexavalent chromium, mercury, PBB, PBDE, DBP, BBP, DEHP, DIBP, and 0.01% for cadmium, or qualify for an exemption to these limits as defined in the Annexes of Directive 2011/65/EU (RoHS2). Finished electrical and electronic equipment products will be CE marked as required by Directive 2011/65/EU. Components may not be CE marked. Additionally, the part numbers that TE has identified as EU ELV compliant have a maximum concentration of 0.1% by weight in homogenous materials for lead, hexavalent chromium, and mercury, and 0.01% for cadmium, or qualify for an exemption to these limits as defined in the Annexes of Directive 2000/53/EC (ELV). Regarding the REACH Regulation, the information TE provides on SVHC in articles for this part number is based on the latest European Chemicals Agency (ECHA) 'Guidance on requirements for substances in articles' posted at this URL: <https://echa.europa.eu/guidance-documents/guidance-on-reach>

## Compatible Parts



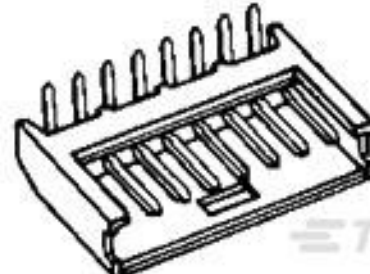
TE Part # 87077-2  
MOD IV KEYING PLUG



TE Part # 280372-2  
6P AMPMODU II SHRD HDR, ST, 0.38 AU



TE Part # 280372-1  
6P AMPMODU II SHRD HDR, ST, TIN



TE Part # 280379-1  
6P AMPMODU II SHRD HDR, RT ANG, TIN



TE Part # 280379-2  
6P MODU II SHRD HDR, RT ANG, 0.38 AU



TE Part # 181270-1  
AMP-MODU CONTACT



TE Part # 181270-2  
MOD II CONTACT L.P.



TE Part # 181270-3  
MOD 2 BUCHSE




TE Part # 280530-4  
MOD2 BUCHSE



TE Part # 280530-2  
AMP MODU MOD 2 CONT



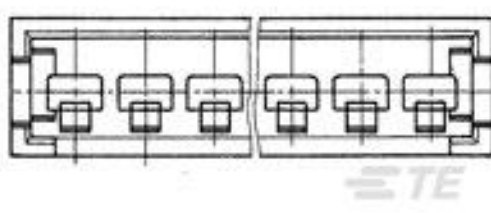
TE Part # 281556-2  
20AWG MOD 2 CRIMP TIN PLATE



TE Part # 280530-1  
MOD II COSI RECP CONT STR PH-B



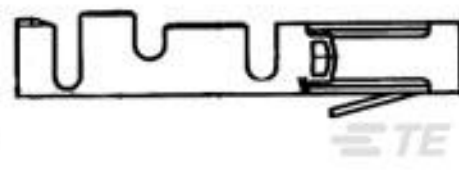
TE Part # 280708-2  
MOD 2 CONTACT



TE Part # 280630  
AMPMODU II COSI PIN HSG, SGL ROW, 6 POS.



TE Part # 280530-3  
MOD II COSI RECP CONT STR PRE




TE Part # 182207-2  
AMP MODU II RCPT CONT COSI LP



TE Part # 182206-2  
MOD 2 TERMINAL



TE Part # 181271-2  
MOD 2 CONTACT REC.




TE Part # 281999-1  
MODU II RCPT STD PR COSI

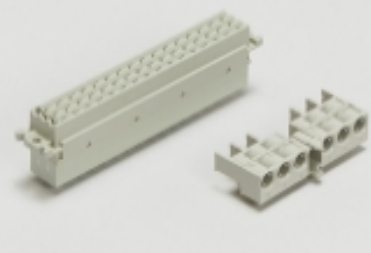


TE Part # 280372-3  
6P AMPMODU II SHRD HDR, ST, 0.76 AU


Also in the Series | AMPMODU IV/V




Automotive Housings(1)



Backplane Connector Housings(1)




Connector Caps & Covers(18)




Connector Contacts(323)



Connector Hardware(14)



Connector Strain Relief(3)



Insertion & Extraction Tools(4)

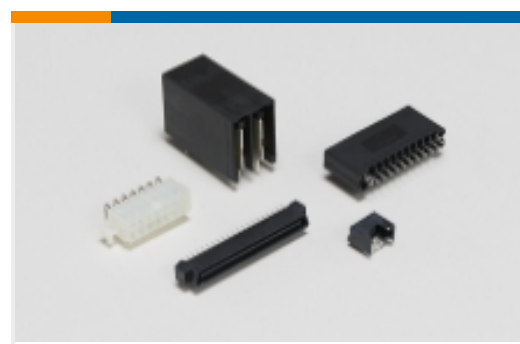


PCB Headers & Receptacles(931)

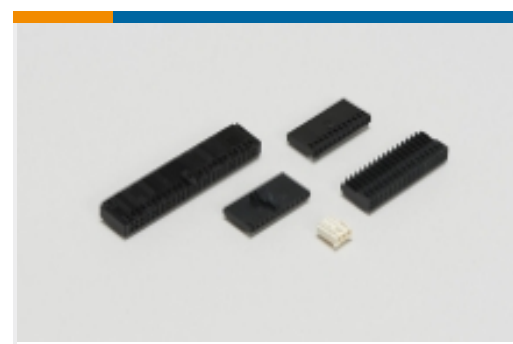




Rectangular Connector Housings(5)

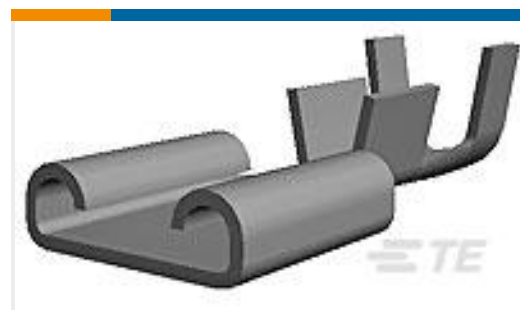
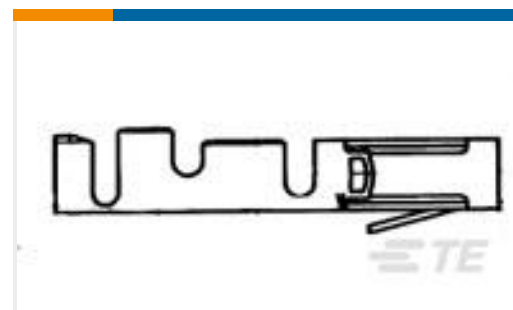
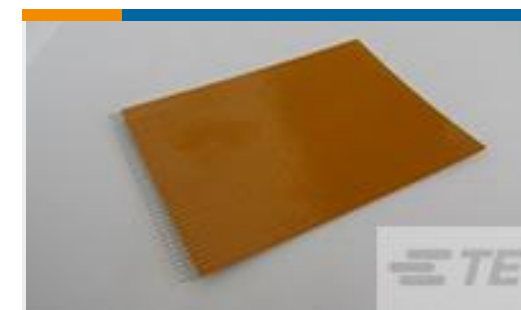


Standard Rectangular Connectors(8)



Wire-to-Board Connector Assemblies &amp; Housings(445)

## Customers Also Bought

TE Part #280373-2  
8P AMPMODU II SHRD HDR, ST, 0.38 AUTE Part #280366  
AMPMODU II REC. HSG DUAL ROW, 16 POS.TE Part #280365  
AMPMODU, DBL ROW, CONTACT RECTE Part #280361  
AMPMODU II REC. HSG, SINGLE ROW 8 POSTE Part #280359  
AMPMODU II REC. HSG, SINGLE ROW, 4 POS.TE Part #280001-9  
250 FASTON, REC., 14-17 AWG, TPBRTE Part #182206-2  
MOD 2 TERMINALTE Part #3-1437142-5  
FSN-22A-15=NOMEX FS STD

## Documents

### CAD Files

#### 3D PDF

3D

#### Customer View Model

[ENG\\_CVM\\_CVM\\_280360\\_Z.2d\\_dxf.zip](#)

English

#### Customer View Model

[ENG\\_CVM\\_CVM\\_280360\\_Z.3d\\_igs.zip](#)

English

#### Customer View Model

[ENG\\_CVM\\_CVM\\_280360\\_Z.3d\\_stp.zip](#)

English

By downloading the CAD file I accept and agree to the [Terms and Conditions](#) of use.

### Product Environmental Compliance

#### Product Compliance Document

English

280360

Housing, Receptacle, Wire-to-Board, 6 Position, .1 in [2.54 mm] Centerline, Crimp, 1 Row, Black, Mating Retention, Wire & Cable, Signal, AMPMODU IV/V



## Product Compliance Document

English