



Terminals & Splices > Automotive Terminals > TIMER, RECEPTACLE AND TAB



Terminal Type: **Receptacle**

Interface Plating: **Tin (Sn)**

Mating Tab Width: **2.8 mm [.11 in]**

Mating Tab Thickness: **.8 mm [.031 in]**

Terminal Transmits: **25 – 40 A (Power)**

[All TIMER, RECEPTACLE AND TAB \(279\)](#)

Features

Industry Standards

Compatible With Agency/Standards Products	DIN ISO 6722 part 3, DIN 72 551 Part 6, IEC 664/664A (DIN VDE 0110)
---	---

Operation/Application

Compatible With Wire Base Material	Copper
Conforms to Automation Guideline	Yes, KOMAX Automatic Component Insertion per Version 5.0 (March 2018), Yes, DIN 72036 Automation of Wiring Harness Production per Version June 2024

Packaging Features

Packaging Method	Reel
Packaging Quantity	4000

Usage Conditions

Insulation Option	Uninsulated
Operating Temperature (Max)	130 °C[266 °F]
Operating Temperature Range	-40 – 130 °C[-40 – 266 °F]

Termination Features

Termination Method to Wire & Cable	Crimp
------------------------------------	-------



Product Terminates To Wire

Product Type Features

Receptacle Style	180°
Sealable	No
Primary Locking Feature	Locking Lance

Dimensions

Compatible Insulation Diameter Range	1.4 – 2.3 mm [.05 – .09 in]
Wire Size	.5 – 1 mm ²
Wire Size Search	1 mm ² , .5 mm ² , .75 mm ² , .6 mm ²
Tab Length	18.8 mm [.74 in]

Contact Features

Typical Current Rating	30 A
Crimp Type	F-Crimp
Contact Size	2.8mm
Contact Fabrication	Stamped & Formed
Wire Contact Termination Area Plating Material	Tin
Terminal Type	Receptacle
Interface Plating	Tin (Sn)
Mating Tab Width	2.8 mm [.11 in]
Mating Tab Thickness	.8 mm [.031 in]

Other

Terminal Transmits	25 – 40 A (Power)
EU RoHS Compliance	Compliant
EU ELV Compliance	Compliant

Product Compliance

[For compliance documentation, visit the product page on TE.com>](#)

EU RoHS Directive 2011/65/EU	Compliant
EU ELV Directive 2000/53/EC	Compliant
China RoHS 2 Directive MIIT Order No 32, 2016	No Restricted Materials Above Threshold
EU REACH Regulation (EC) No. 1907/2006	Current ECHA Candidate List: JUNE 2024 (241) Candidate List Declared Against: JUNE 2024 (241)



Does not contain REACH SVHC

Halogen Content

Low Halogen - Br, Cl, F, I < 900 ppm per homogenous material. Also BFR/CFR/PVC Free

Solder Process Capability

Not applicable for solder process capability

Product Compliance Disclaimer

This information is provided based on reasonable inquiry of our suppliers and represents our current actual knowledge based on the information they provided. This information is subject to change. The part numbers that TE has identified as EU RoHS compliant have a maximum concentration of 0.1% by weight in homogenous materials for lead, hexavalent chromium, mercury, PBB, PBDE, DBP, BBP, DEHP, DIBP, and 0.01% for cadmium, or qualify for an exemption to these limits as defined in the Annexes of Directive 2011/65/EU (RoHS2). Finished electrical and electronic equipment products will be CE marked as required by Directive 2011/65/EU. Components may not be CE marked. Additionally, the part numbers that TE has identified as EU ELV compliant have a maximum concentration of 0.1% by weight in homogenous materials for lead, hexavalent chromium, and mercury, and 0.01% for cadmium, or qualify for an exemption to these limits as defined in the Annexes of Directive 2000/53/EC (ELV). Regarding the REACH Regulation, the information TE provides on SVHC in articles for this part number is based on the latest European Chemicals Agency (ECHA) 'Guidance on requirements for substances in articles' posted at this URL: <https://echa.europa.eu/guidance-documents/guidance-on-reach>

Compatible Parts

TE Part # 2394300-1
EXTRACTION TOOL

TE Part # 1-1579007-6
EXTRACTION TOOL

KIT
TE Part # 7-2266186-7
OC-080F110OV-752-CRIMPTOOLINGKIT

TE Part # 282435-2
MODULAR RELAY HOUSING

TE Part # 2305570-1
Strip Terminal Cutter-Side Feed-No Crimp

TE Part # CAT-M8793-CH8172
MQS, CONNECTOR HOUSING

TE Part # 5-2151092-2
OCEAN_2.0_APPLICATOR-S-080F110OV-RSA

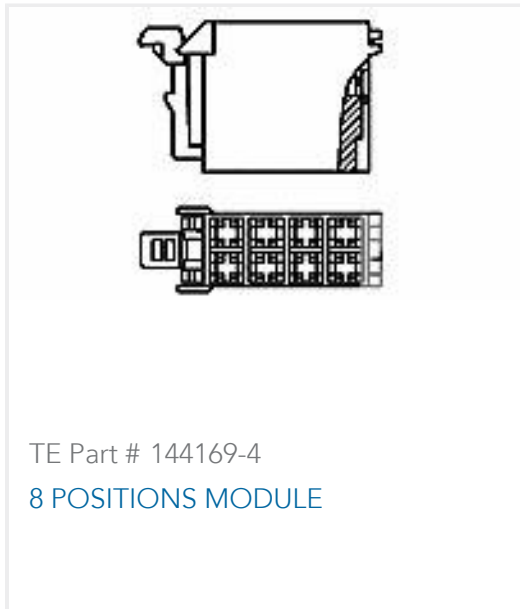
TE Part # 2-1579007-3
EXTRACTION TOOL

KIT
TE Part # 7-2151092-7
OCEAN_2.0_SPARE_PART_KIT-080F110OV

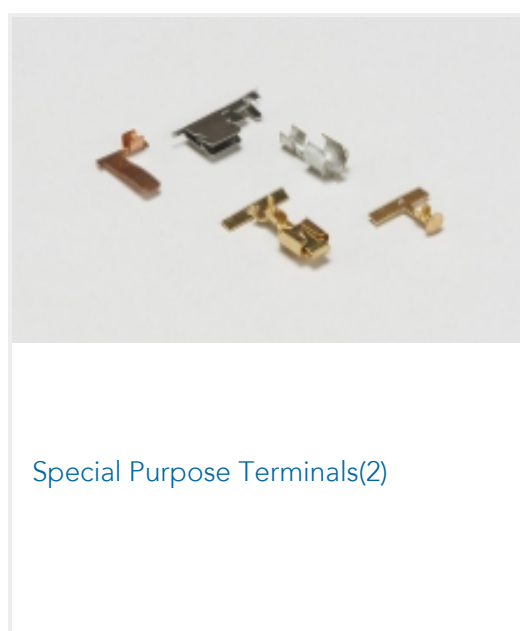
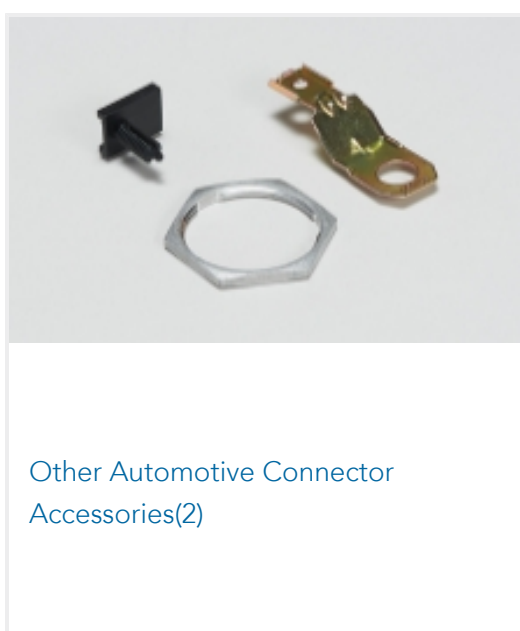
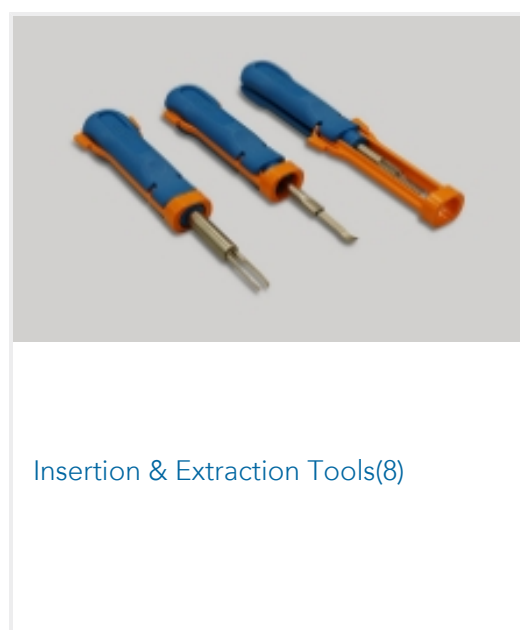
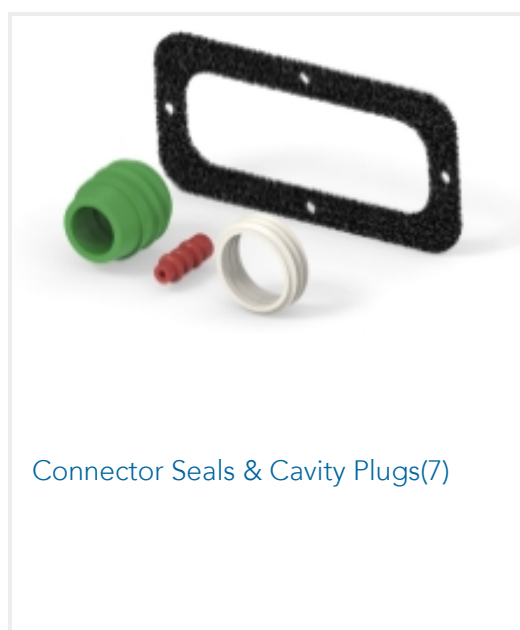
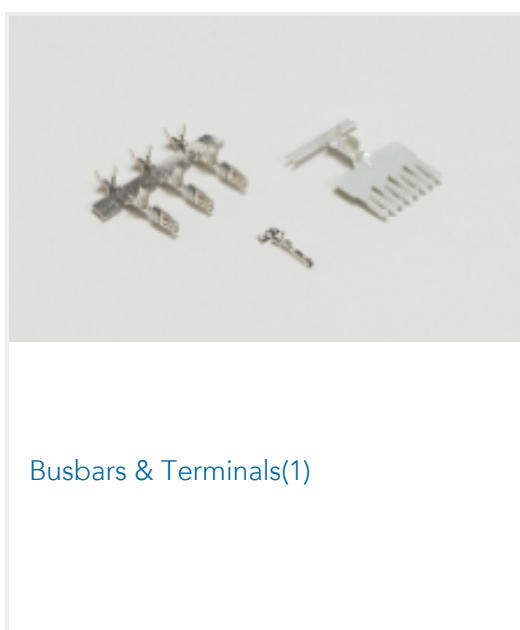
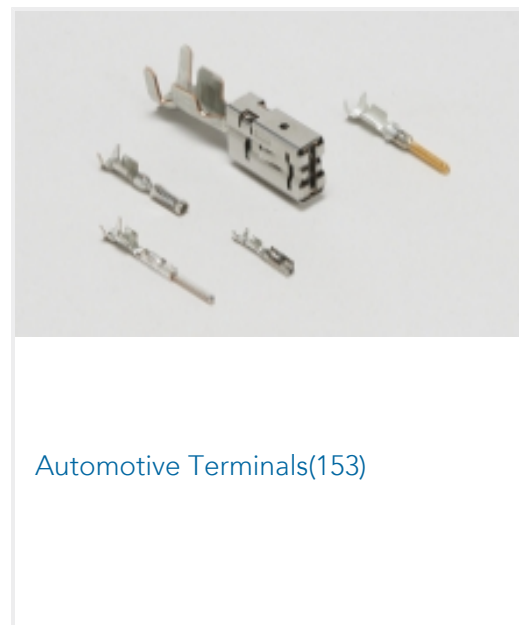
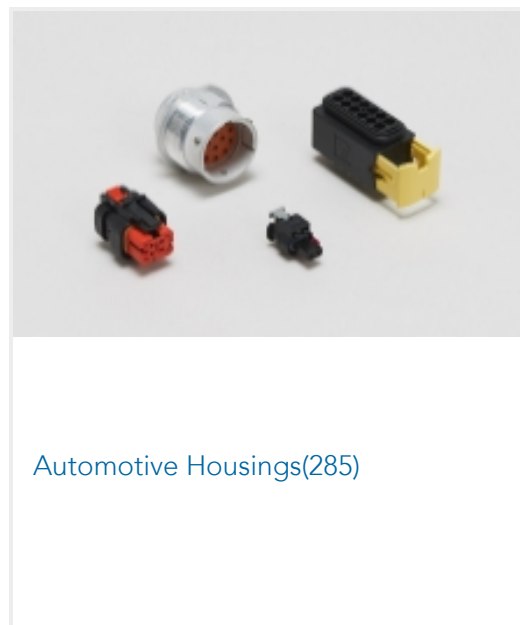
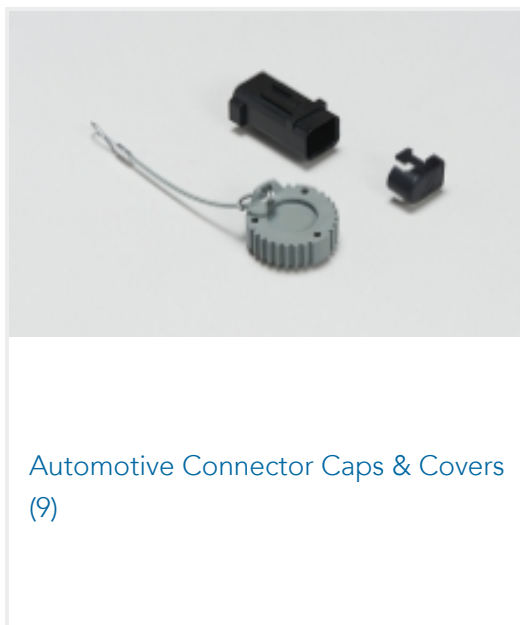
TE Part # CAT-M9194-CH8172
MULTILOCK, CONNECTOR HOUSING

TE Part # 4-1579007-3
EXTRACTION TOOL KIT

TE Part # 144169-1
8 POSITIONS MODULE



Also in the Series | Junior Power Timer



Customers Also Bought



TE Part #CAT-T4827-T273
TIMER, RECEPTACLE AND TAB



TE Part #5-1813099-1
2.5mm SOCKET HSG ASSEMBLY
(BLACK 4 POS)



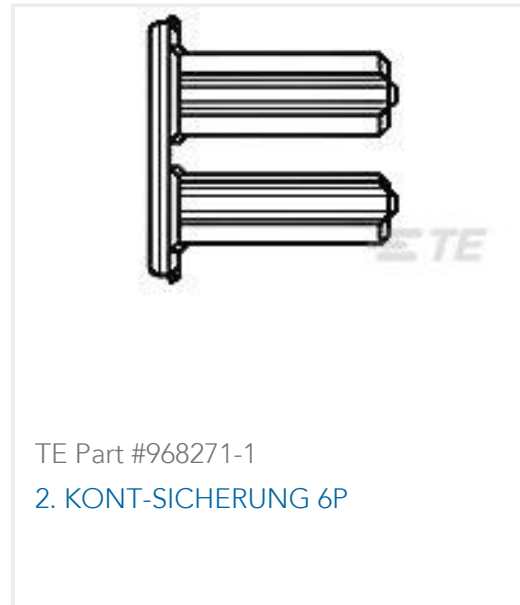
TE Part #CAT-T4827-CH8172
Timer Connector Housing



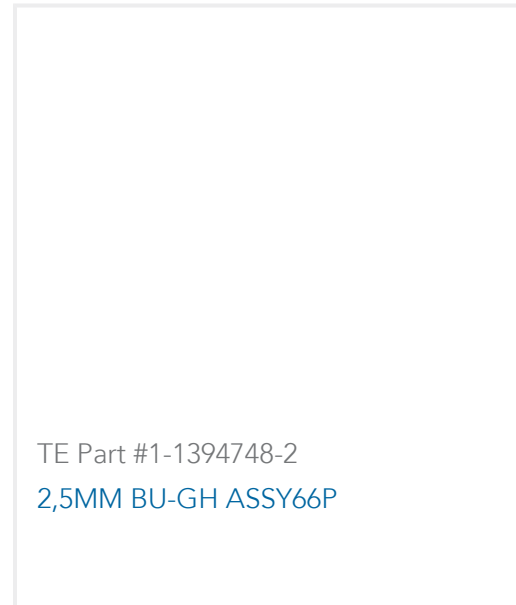
TE Part #3-2112780-5
18POS, MIXED, REC HSG, ASSY,
SEALED



TE Part #2500019-1
SRC Pwr 36+12ACEG Male Blade Hsg
Assy



TE Part #968271-1
2. KONT-SICHERUNG 6P



TE Part #1-1394748-2
2,5MM BU-GH ASSY66P

Documents

Product Drawings

[JPT REC 2.8 Contact SRC Sn](#)

English

[JPT REC 2.8 Contact SRC Sn](#)

English

[JPT REC 2.8 Contact SRC Sn](#)

English

CAD Files

Customer View Model

[ENG_CVM_927771-3_A9.3d_igs.zip](#)

English

Customer View Model

[ENG_CVM_927771-3_A9.3d_stp.zip](#)

English

Customer View Model

[ENG_CVM_927771-3_A9.2d_dxf.zip](#)

English

3D PDF

English

By downloading the CAD file I accept and agree to the [Terms and Conditions](#) of use.

Product Specifications

[Application Specification](#)

English

[ER**Sertissage des Clips Junior Power Timer sur Machine Automatique](#)

English



[Application Specification](#)

German

[Application Specification](#)

English

[Application Specification](#)

English