

AI 1 - 8 RD -1000 - Ferrule



3200904

<https://www.phoenixcontact.com/pc/products/3200904>

Please be informed that the data shown in this PDF document is generated from our online catalog. Please find the complete data in the user documentation. Our general terms of use for downloads are valid.

Ferrule, Length contact range: 8 mm, sleeve length: 14 mm, color: red



Your advantages

- The AI 0,25.. ferrules can also be used to process 0.14 mm² conductors
- The ferrules with plastic sleeve are made from soft tin-plated electrolytic copper
- The insulation reliability of close connections is increased and the splicing of wires is prevented

Commercial data

Item number	3200904
Packing unit	1,000 pc
Minimum order quantity	1,000 pc
Sales key	05
Product key	BH3411
Catalog page	Page 481 (C-3-2019)
GTIN	4017918094454
Weight per piece (including packing)	0.097 g
Weight per piece (excluding packing)	0.092 g
Customs tariff number	85369010
Country of origin	DE

AI 1 - 8 RD -1000 - Ferrule

3200904

<https://www.phoenixcontact.com/pc/products/3200904>

Technical data

Product properties

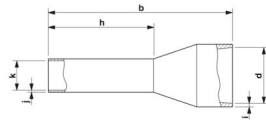
Product type	Cable end sleeve
Conductor category	stranded conductors, class 2, 5, 6 / B, C, K, M
Product property	UL certified

Connection data

Conductor connection

Conductor cross section flexible max.	1 mm ²
Conductor cross section AWG max.	18
Stripping length	11 mm

Dimensions

Dimensional drawing	
Sleeve length	14 mm
Length contact range	8 mm
Maximum stripping length	11 mm
Ferrule diameter	1.5 mm
Sleeve wall thickness	0.15 mm
Insulating collar thickness	0.3 mm
Inner dimensions of the insulating collar	3 mm

Material specifications

Color	red (RAL 3001)
Material	CU-DHP
Flammability rating according to UL 94	HB
Coating	tin-plated (galvanic)
Surface characteristics	Tin-plated
Components	free from silicone and halogen

Mechanical properties

Technical data

Sleeve length	14 mm
---------------	-------

Environmental and real-life conditions

Ambient conditions

Permanent temperature	105 °C (-40 °C no load / 0 °C dynamic load)
-----------------------	---------------------------------------------

AI 1 - 8 RD -1000 - Ferrule



3200904

<https://www.phoenixcontact.com/pc/products/3200904>

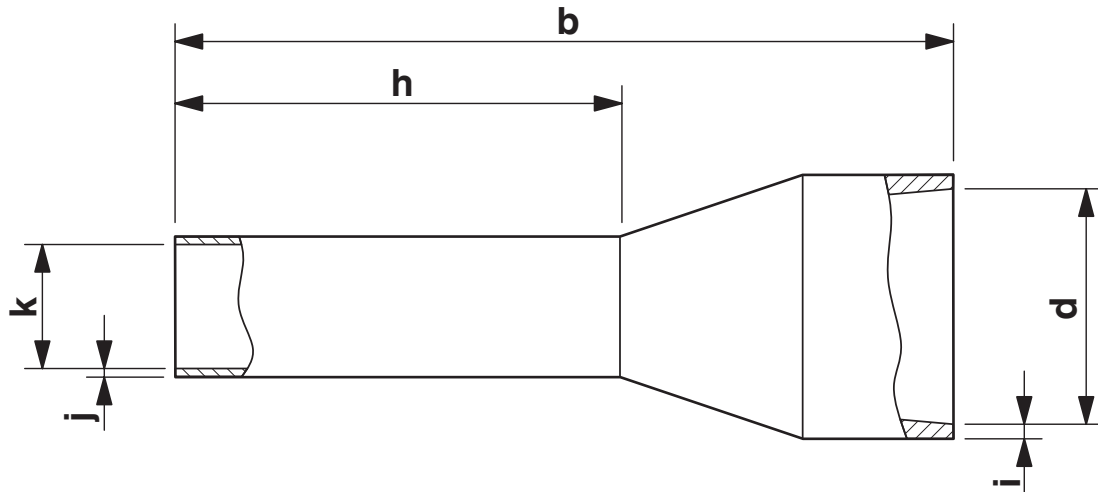
Short-term temperature	120 °C
------------------------	--------

Standards and regulations

Design according to standard	DIN 46228-4, UL 486F-E, NFC 63-023
------------------------------	------------------------------------

Drawings

Dimensional drawing



Sleeve length (b), length contact range (h), insulating collar inner dimension (d), sleeve diameter (k), insulating collar thickness (i), sleeve wall thickness (j)

AI 1 - 8 RD -1000 - Ferrule



3200904

<https://www.phoenixcontact.com/pc/products/3200904>

Approvals

To download certificates, visit the product detail page: <https://www.phoenixcontact.com/pc/products/3200904>



cULus Listed

Approval ID: E488001

AI 1 - 8 RD -1000 - Ferrule



3200904

<https://www.phoenixcontact.com/pc/products/3200904>

Classifications

ECLASS

ECLASS-11.0	27400201
ECLASS-13.0	27400201
ECLASS-12.0	27400201

ETIM

ETIM 9.0	EC000005
----------	----------

UNSPSC

UNSPSC 21.0	27121700
-------------	----------

AI 1 - 8 RD -1000 - Ferrule



3200904

<https://www.phoenixcontact.com/pc/products/3200904>

Environmental product compliance

EU RoHS

Fulfills EU RoHS substance requirements	Yes, No exemptions
-----------------------------------------	--------------------

China RoHS

Environment friendly use period (EFUP)	EFUP-E
	No hazardous substances above the limits

EU REACH SVHC

REACH candidate substance (CAS No.)	No substance above 0.1 wt%
-------------------------------------	----------------------------

Phoenix Contact 2024 © - all rights reserved
<https://www.phoenixcontact.com>

PHOENIX CONTACT GmbH & Co. KG
Flachmarktstraße 8
D-32825 Blomberg
+49 (0) 5235-3 00
info@phoenixcontact.com