

# A 0,75- 6 - Ferrule

3200221

<https://www.phoenixcontact.com/pc/products/3200221>



Please be informed that the data shown in this PDF document is generated from our online catalog. Please find the complete data in the user documentation. Our general terms of use for downloads are valid.

Ferrule, Length contact range: 6 mm, sleeve length: 6 mm, color: silver



## Your advantages

- The dimensions of the ferrules conform to DIN 46228-1
- The ferrules without plastic sleeve are made from soft tin-plated electrolytic copper

## Commercial data

Item number	3200221
Packing unit	1,000 pc
Minimum order quantity	1,000 pc
Sales key	05
Product key	BH3412
Catalog page	Page 480 (C-3-2019)
GTIN	4017918093877
Weight per piece (including packing)	0.037 g
Weight per piece (excluding packing)	0.037 g
Customs tariff number	85369010
Country of origin	DE

# A 0,75- 6 - Ferrule

3200221

<https://www.phoenixcontact.com/pc/products/3200221>

## Technical data

### Product properties

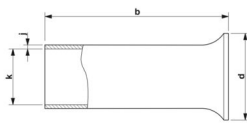
Product type	Cable end sleeve
Conductor category	stranded conductors, class 2, 5, 6 / B, C, K, M
Product property	UL certified

### Connection data

#### Conductor connection

Conductor cross section flexible max.	0.75 mm <sup>2</sup>
Conductor cross section AWG max.	18
Stripping length	6 mm

### Dimensions

Dimensional drawing	
Sleeve length	6 mm
Length contact range	6 mm
Ferrule diameter	1.2 mm
Sleeve wall thickness	0.15 mm
Inner dimensions of the insulating collar	2.3 mm

### Material specifications

Color	silver-colored
Material	CU-DHP
Coating	tin-plated (galvanic)
Surface characteristics	Tin-plated

### Mechanical properties

#### Technical data

Sleeve length	6 mm
---------------	------

### Environmental and real-life conditions

#### Ambient conditions

Permanent temperature	105 °C
Short-term temperature	120 °C

### Standards and regulations

Design according to standard	DIN 46228-1, UL 486F-A
------------------------------	------------------------

# A 0,75- 6 - Ferrule

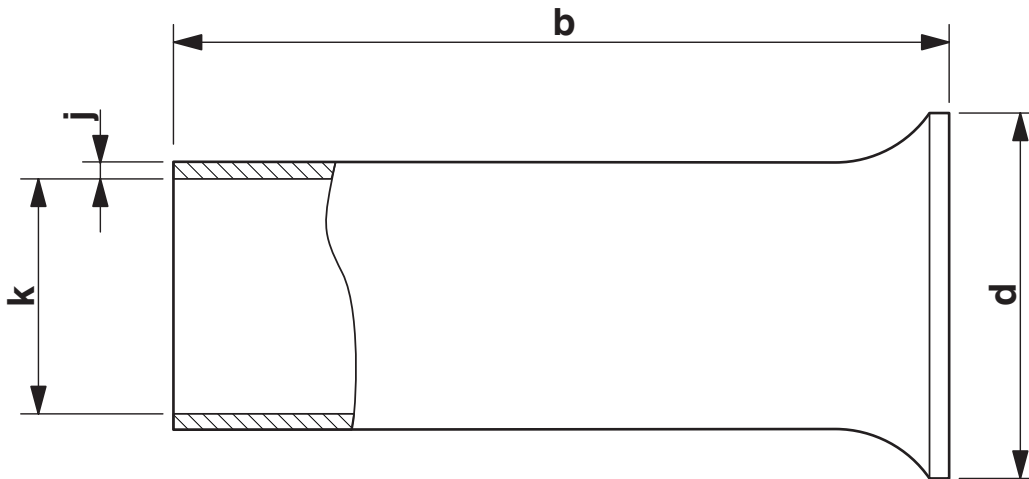
3200221

<https://www.phoenixcontact.com/pc/products/3200221>



## Drawings

Dimensional drawing



Sleeve length (b), insulating collar inner dimension (d), sleeve diameter (k), sleeve wall thickness (j)

# A 0,75- 6 - Ferrule

3200221

<https://www.phoenixcontact.com/pc/products/3200221>



## Approvals

To download certificates, visit the product detail page: <https://www.phoenixcontact.com/pc/products/3200221>



**cULus Listed**

Approval ID: E488001

# A 0,75- 6 - Ferrule

3200221

<https://www.phoenixcontact.com/pc/products/3200221>



## Classifications

### ECLASS

ECLASS-11.0	27400201
ECLASS-13.0	27400201
ECLASS-12.0	27400201

### ETIM

ETIM 9.0	EC000005
----------	----------

### UNSPSC

UNSPSC 21.0	27121700
-------------	----------

# A 0,75- 6 - Ferrule



3200221

<https://www.phoenixcontact.com/pc/products/3200221>

## Environmental product compliance

### EU RoHS

Fulfills EU RoHS substance requirements	Yes, No exemptions
---	--------------------

### China RoHS

Environment friendly use period (EFUP)	EFUP-E
	No hazardous substances above the limits

### EU REACH SVHC

REACH candidate substance (CAS No.)	No substance above 0.1 wt%
-------------------------------------	----------------------------

Phoenix Contact 2024 © - all rights reserved  
<https://www.phoenixcontact.com>

PHOENIX CONTACT GmbH & Co. KG  
Flachmarktstraße 8  
D-32825 Blomberg  
+49 (0) 5235-3 00  
[info@phoenixcontact.com](mailto:info@phoenixcontact.com)