

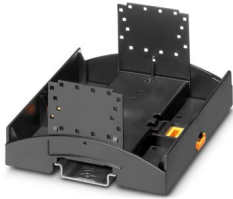
BC 107,6 UT HBUS BK - Mounting base housing



2896270

<https://www.phoenixcontact.com/pc/products/2896270>

Please be informed that the data shown in this PDF document is generated from our online catalog. Please find the complete data in the user documentation. Our general terms of use for downloads are valid.



DIN rail housing for use in distribution boards in accordance with DIN 43880, Lower housing part with base latch, width: 107.6 mm, height: 89.7 mm, depth: 48.9 mm, color: black (similar RAL 9005), cross connection: DIN rail connector (optional), number of positions cross connector: 16

Your advantages

- Coordinated housing and connection system for faster device development
- Individual online configuration for diverse applications in building automation
- Variety of connection technology
- Can be mounted on the DIN rail or the wall
- With DIN-rail-mountable bus connector and power connector system as an option
- Tool-free mounting
- Available in overall widths from one to nine HP (17.8 mm ... 161.6 mm)
- Compliant with DIN EN 43880

Commercial data

Item number	2896270
Packing unit	10 pc
Minimum order quantity	1 pc
Product key	ACHBAA
Catalog page	Page 699 (C-1-2013)
GTIN	4046356096720
Weight per piece (including packing)	69.63 g
Weight per piece (excluding packing)	46.404 g
Customs tariff number	84879090
Country of origin	DE

BC 107,6 UT HBUS BK - Mounting base housing

2896270

<https://www.phoenixcontact.com/pc/products/2896270>

Technical data

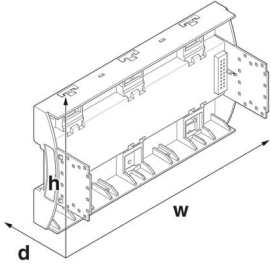
Notes

Assembly note	Refer to the data sheet for the range in the download area.
---------------	-------------------------------------------------------------

Product properties

Product type	Enclosure bottom part
Housing type	DIN rail housing for use in distribution boards in accordance with DIN 43880
Housing series	BC
Product family	BC 107,6..
Max. number of positions	0)
Type	Lower housing part with base latch
Ventilation openings present	no

Dimensions

Dimensional drawing	
Width	107.6 mm
Height	89.7 mm
Depth	48.9 mm
Horizontal pitch	6 Div.

PCB design

PCB thickness	1.4 mm ... 1.8 mm
---------------	-------------------

Material specifications

Color (Housing)	black (RAL 9005)
Material (Housing)	PC
Material (Base latch)	POM
Flammability rating according to UL 94	V0
CTI according to IEC 60112	< 400
Surface characteristics	untreated

Environmental and real-life conditions

Power dissipation single housing for 20 °C

Ambient temperature	20 °C
Reduction factor	1

BC 107,6 UT HBUS BK - Mounting base housing



2896270

<https://www.phoenixcontact.com/pc/products/2896270>

Mounting position	vertical
Power dissipation	13.08 W

Power dissipation single housing for 30 °C

Ambient temperature	30 °C
Reduction factor	0.84
Mounting position	vertical
Power dissipation	11 W

Power dissipation single housing for 40 °C

Ambient temperature	40 °C
Reduction factor	0.72
Mounting position	vertical
Power dissipation	9.4 W

Power dissipation single housing for 50 °C

Ambient temperature	50 °C
Reduction factor	0.6
Mounting position	vertical
Power dissipation	7.85 W

Power dissipation single housing for 60 °C

Ambient temperature	60 °C
Reduction factor	0.48
Mounting position	vertical
Power dissipation	6.3 W

Power dissipation single housing for 70 °C

Ambient temperature	70 °C
Reduction factor	0.38
Mounting position	vertical
Power dissipation	5 W

Vibration test

Specification	IEC 60068-2-6:2007-12
Frequency	10 - 150 - 10 Hz
Sweep speed	1 octave/min
Amplitude	0.15 mm (10 Hz ... 58.1 Hz)
Acceleration	2g (58.1 Hz ... 150 Hz)
Test duration per axis	2.5 h
Test directions	X-, Y- and Z-axis

Glow-wire test

Specification	IEC 60695-2-11:2014-02
Temperature	850 °C
Time of exposure	30 s

Mechanical strength / tumbling barrel

BC 107,6 UT HBUS BK - Mounting base housing



2896270

<https://www.phoenixcontact.com/pc/products/2896270>

Specification	IEC 60068-2-31:2008-05
Height of fall	50 cm
Frequency	50

Shocks

Specification	IEC 60068-2-27:2008-02
Pulse shape	Half-sine
Acceleration	15g
Shock duration	11 ms
Number of shocks per direction	3
Test directions	X-, Y- and Z-axis (pos. and neg.)

Test for substances that would hinder coating with paint or varnish

Specification	VDMA 24364:2018-05
Result	Test passed

Degree of protection (IP code)

Specification	IEC 60529:1989-11 + AMD 1:1999-11 + AMD 2:2013-08
Result, degree of protection, IP code	IP20

Ambient conditions

Max. IP code to attain	IP20
Ambient temperature (operation)	-40 °C ... 105 °C (depending on power dissipation)
Ambient temperature (storage/transport)	-40 °C ... 70 °C
Ambient temperature (assembly)	-5 °C ... 100 °C
Relative humidity (storage/transport)	95 %

PCB data

Number of PCB holders	9
Type of PCB mount	Latching
Thickness of the PCB	1.4 mm ... 1.8 mm

Mounting

Mounting type	DIN rail mounting/panel mounting
---------------	----------------------------------

Packaging specifications

Type of packaging	packed in cardboard
Outer packaging type	Carton

BC 107,6 UT HBUS BK - Mounting base housing

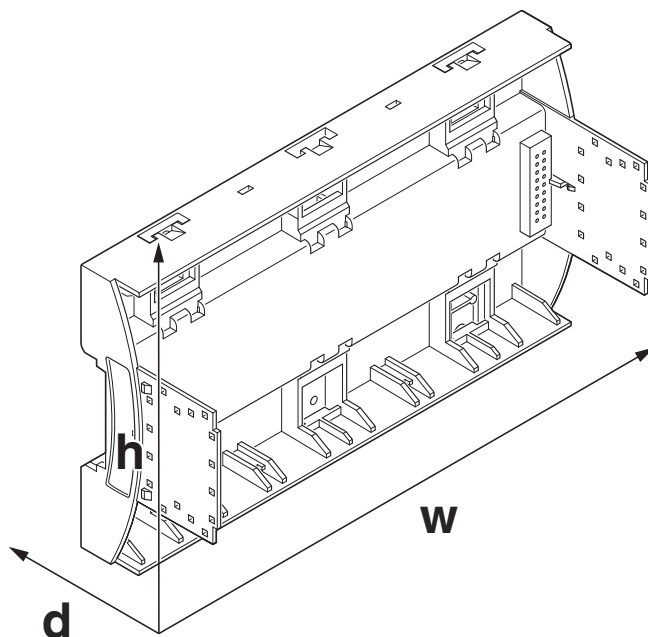
2896270

<https://www.phoenixcontact.com/pc/products/2896270>



Drawings

Dimensional drawing



Schematic figure for illustrating the item dimensions. The figure is not of the desired product. For further details, refer to the product drawings in the "Downloads" tab.

BC 107,6 UT HBUS BK - Mounting base housing



2896270

<https://www.phoenixcontact.com/pc/products/2896270>

Approvals

To download certificates, visit the product detail page: <https://www.phoenixcontact.com/pc/products/2896270>



UL Recognized

Approval ID: E240868

BC 107,6 UT HBUS BK - Mounting base housing



2896270

<https://www.phoenixcontact.com/pc/products/2896270>

Classifications

ECLASS

ECLASS-11.0	27182702
ECLASS-13.0	27190601

ETIM

ETIM 9.0	EC002779
----------	----------

UNSPSC

UNSPSC 21.0	31261500
-------------	----------

BC 107,6 UT HBUS BK - Mounting base housing



2896270

<https://www.phoenixcontact.com/pc/products/2896270>

Environmental product compliance

EU RoHS

Fulfills EU RoHS substance requirements	Yes, No exemptions
-----------------------------------------	--------------------

China RoHS

Environment friendly use period (EFUP)	EFUP-E
	No hazardous substances above the limits

EU REACH SVHC

REACH candidate substance (CAS No.)	No substance above 0.1 wt%
-------------------------------------	----------------------------

Phoenix Contact 2024 © - all rights reserved
<https://www.phoenixcontact.com>

PHOENIX CONTACT GmbH & Co. KG
Flachmarktstraße 8
D-32825 Blomberg
+49 (0) 5235-3 00
info@phoenixcontact.com