

BC 161,6 OT 0C20C20C2 WH - Upper housing part



1252986

<https://www.phoenixcontact.com/pc/products/1252986>

Please be informed that the data shown in this PDF document is generated from our online catalog. Please find the complete data in the user documentation. Our general terms of use for downloads are valid.



DIN rail housing for use in distribution boards in accordance with DIN 43880, modular upper housing part, width: 161.6 mm, height: 89.7 mm, depth: 54.85 mm, color: traffic white (similar RAL 9016)

Your advantages

- Coordinated housing and connection system for faster device development
- Individual online configuration for diverse applications in building automation
- Variety of connection technology
- Can be mounted on the DIN rail or the wall
- With DIN-rail-mountable bus connector and power connector system as an option
- Tool-free mounting
- Available in overall widths from one to nine HP (17.8 mm ... 161.6 mm)
- Compliant with DIN EN 43880

Commercial data

Item number	1252986
Packing unit	10 pc
Minimum order quantity	500 pc
Note	Made to order (non-returnable)
Product key	ACHBAB
GTIN	4063151363482
Weight per piece (including packing)	63.95 g
Weight per piece (excluding packing)	41.053 g
Customs tariff number	84879090
Country of origin	DE

BC 161,6 OT 0C20C20C2 WH - Upper housing part



1252986

<https://www.phoenixcontact.com/pc/products/1252986>

Technical data

Notes

Assembly note	Refer to the data sheet for the range in the download area.
---------------	---

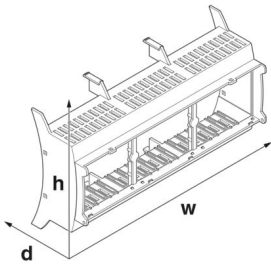
Product properties

Product type	Upper housing part
Housing type	DIN rail housing for use in distribution boards in accordance with DIN 43880
Housing series	BC
Product family	BC 161,6..
Type	modular upper housing part
Ventilation openings present	yes

Data management status

Article revision	00
------------------	----

Dimensions

Dimensional drawing	
Width	161.6 mm
Height	89.7 mm
Depth	54.85 mm
Horizontal pitch	9 Div.

PCB design

PCB thickness	1.4 mm ... 1.8 mm
---------------	-------------------

Material specifications

Color (Housing)	traffic white (RAL 9016)
Flammability rating according to UL 94	V0
Housing material	Polycarbonate
Surface characteristics	untreated

Environmental and real-life conditions

Vibration test

Specification	IEC 60068-2-6:2007-12
Frequency	10 - 150 - 10 Hz

BC 161,6 OT 0C20C20C2 WH - Upper housing part



1252986

<https://www.phoenixcontact.com/pc/products/1252986>

Sweep speed	1 octave/min
Amplitude	0.15 mm (10 Hz ... 58.1 Hz)
Acceleration	2g (58.1 Hz ... 150 Hz)
Test duration per axis	2.5 h
Test directions	X-, Y- and Z-axis

Glow-wire test

Specification	IEC 60695-2-11:2014-02
Temperature	850 °C
Time of exposure	30 s

Mechanical strength / tumbling barrel

Specification	IEC 60068-2-31:2008-05
Height of fall	50 cm
Frequency	50

Shocks

Specification	IEC 60068-2-27:2008-02
Pulse shape	Half-sine
Acceleration	15g
Shock duration	11 ms
Number of shocks per direction	3
Test directions	X-, Y- and Z-axis (pos. and neg.)

Degree of protection (IP code)

Specification	IEC 60529:1989-11 + AMD 1:1999-11 + AMD 2:2013-08
---------------	---

Ambient conditions

Max. IP code to attain	IP20
Ambient temperature (operation)	-40 °C ... 105 °C (depending on power dissipation)
Ambient temperature (storage/transport)	-40 °C ... 70 °C
Ambient temperature (assembly)	-5 °C ... 100 °C
Relative humidity (storage/transport)	95 %

PCB data

Number of PCB holders	18
Type of PCB mount	Latching
Thickness of the PCB	1.4 mm ... 1.8 mm

Mounting

Mounting type	Snap in
---------------	---------

Packaging specifications

Type of packaging	packed in cardboard
Outer packaging type	Carton

BC 161,6 OT 0C20C20C2 WH - Upper housing part

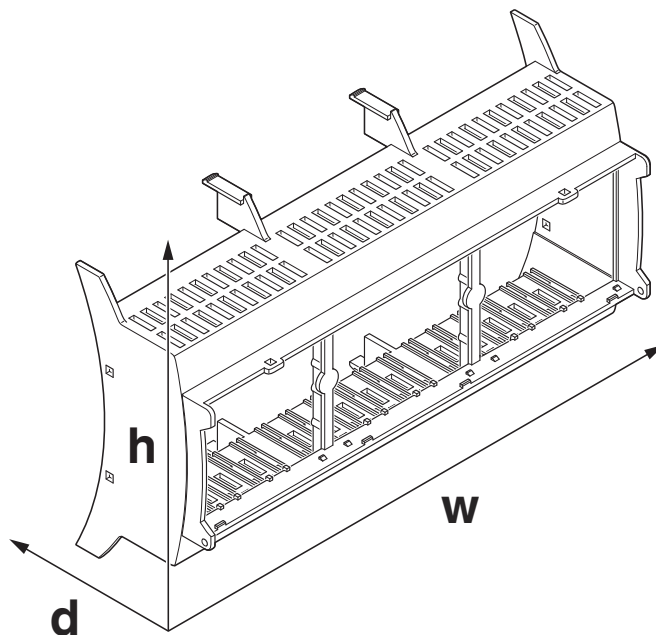
1252986

<https://www.phoenixcontact.com/pc/products/1252986>



Drawings

Dimensional drawing



Schematic figure for illustrating the item dimensions. The figure is not of the desired product. For further details, refer to the product drawings in the "Downloads" tab.

BC 161,6 OT 0C20C20C2 WH - Upper housing part



1252986

<https://www.phoenixcontact.com/pc/products/1252986>

Approvals

To download certificates, visit the product detail page: <https://www.phoenixcontact.com/pc/products/1252986>



UL Recognized

Approval ID: E240868

BC 161,6 OT 0C20C20C2 WH - Upper housing part



1252986

<https://www.phoenixcontact.com/pc/products/1252986>

Classifications

ECLASS

ECLASS-11.0	27182702
ECLASS-13.0	27190603

ETIM

ETIM 9.0	EC002779
----------	----------

UNSPSC

UNSPSC 21.0	31261500
-------------	----------

BC 161,6 OT 0C20C20C2 WH - Upper housing part



1252986

<https://www.phoenixcontact.com/pc/products/1252986>

Environmental product compliance

EU RoHS

Fulfills EU RoHS substance requirements	Yes, No exemptions
---	--------------------

China RoHS

Environment friendly use period (EFUP)	EFUP-E
	No hazardous substances above the limits

EU REACH SVHC

REACH candidate substance (CAS No.)	No substance above 0.1 wt%
-------------------------------------	----------------------------

Phoenix Contact 2024 © - all rights reserved
<https://www.phoenixcontact.com>

PHOENIX CONTACT GmbH & Co. KG
Flachmarktstraße 8
D-32825 Blomberg
+49 (0) 5235-3 00
info@phoenixcontact.com