

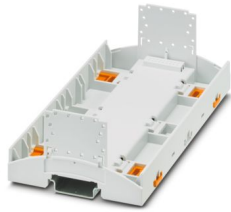
# BC 161,6 UT HBUS WH - Mounting base housing



1252987

<https://www.phoenixcontact.com/pc/products/1252987>

Please be informed that the data shown in this PDF document is generated from our online catalog. Please find the complete data in the user documentation. Our general terms of use for downloads are valid.



DIN rail housing for use in distribution boards in accordance with DIN 43880, Lower housing part with base latch, width: 161.6 mm, height: 89.7 mm, depth: 48.9 mm, color: white (similar RAL 9010), cross connection: DIN rail connector (optional), number of positions cross connector: 16

## Your advantages

- Coordinated housing and connection system for faster device development
- Individual online configuration for diverse applications in building automation
- Variety of connection technology
- Can be mounted on the DIN rail or the wall
- With DIN-rail-mountable bus connector and power connector system as an option
- Tool-free mounting
- Available in overall widths from one to nine HP (17.8 mm ... 161.6 mm)
- Compliant with DIN EN 43880

## Commercial data

Item number	1252987
Packing unit	10 pc
Minimum order quantity	500 pc
Note	Made to order (non-returnable)
Product key	ACHBAA
GTIN	4063151363611
Weight per piece (including packing)	92.3 g
Weight per piece (excluding packing)	82.58 g
Customs tariff number	84879090
Country of origin	DE

# BC 161,6 UT HBUS WH - Mounting base housing



1252987

<https://www.phoenixcontact.com/pc/products/1252987>

## Technical data

### Notes

Assembly note	Refer to the data sheet for the range in the download area.
---------------	---

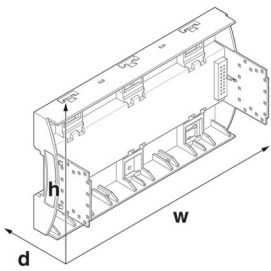
### Product properties

Product type	Enclosure bottom part
Housing type	DIN rail housing for use in distribution boards in accordance with DIN 43880
Housing series	BC
Product family	BC 161,6..
Max. number of positions	0)
Type	Lower housing part with base latch
Ventilation openings present	no

### Data management status

Article revision	02
------------------	----

### Dimensions

Dimensional drawing	
Width	161.6 mm
Height	89.7 mm
Depth	48.9 mm
Horizontal pitch	9 Div.

### PCB design

PCB thickness	1.4 mm ... 1.8 mm
---------------	-------------------

### Material specifications

Color (Housing)	white (RAL 9010)
Flammability rating according to UL 94	V2
CTI according to IEC 60112	< 400
Housing material	Polycarbonate
Surface characteristics	untreated

### Environmental and real-life conditions

#### Vibration test

# BC 161,6 UT HBUS WH - Mounting base housing



1252987

<https://www.phoenixcontact.com/pc/products/1252987>

Specification	IEC 60068-2-6:2007-12
Frequency	10 - 150 - 10 Hz
Sweep speed	1 octave/min
Amplitude	0.15 mm (10 Hz ... 58.1 Hz)
Acceleration	2g (58.1 Hz ... 150 Hz)
Test duration per axis	2.5 h
Test directions	X-, Y- and Z-axis

## Glow-wire test

Specification	IEC 60695-2-11:2014-02
Temperature	850 °C
Time of exposure	30 s

## Mechanical strength / tumbling barrel

Specification	IEC 60068-2-31:2008-05
Height of fall	50 cm
Frequency	50

## Shocks

Specification	IEC 60068-2-27:2008-02
Pulse shape	Half-sine
Acceleration	15g
Shock duration	11 ms
Number of shocks per direction	3
Test directions	X-, Y- and Z-axis (pos. and neg.)

## Test for substances that would hinder coating with paint or varnish

Specification	VDMA 24364:2018-05
Result	Test passed

## Degree of protection (IP code)

Specification	IEC 60529:1989-11 + AMD 1:1999-11 + AMD 2:2013-08
Result, degree of protection, IP code	IP20

## Ambient conditions

Max. IP code to attain	IP20
Ambient temperature (operation)	-40 °C ... 105 °C (depending on power dissipation)
Ambient temperature (storage/transport)	-40 °C ... 70 °C
Ambient temperature (assembly)	-5 °C ... 100 °C
Relative humidity (storage/transport)	95 %

## PCB data

Number of PCB holders	9
Type of PCB mount	Latching
Thickness of the PCB	1.4 mm ... 1.8 mm

## Mounting

# BC 161,6 UT HBUS WH - Mounting base housing



1252987

<https://www.phoenixcontact.com/pc/products/1252987>

Mounting type	DIN rail mounting/panel mounting
---------------	----------------------------------

## Packaging specifications

Type of packaging	packed in cardboard
Outer packaging type	Carton

# BC 161,6 UT HBUS WH - Mounting base housing

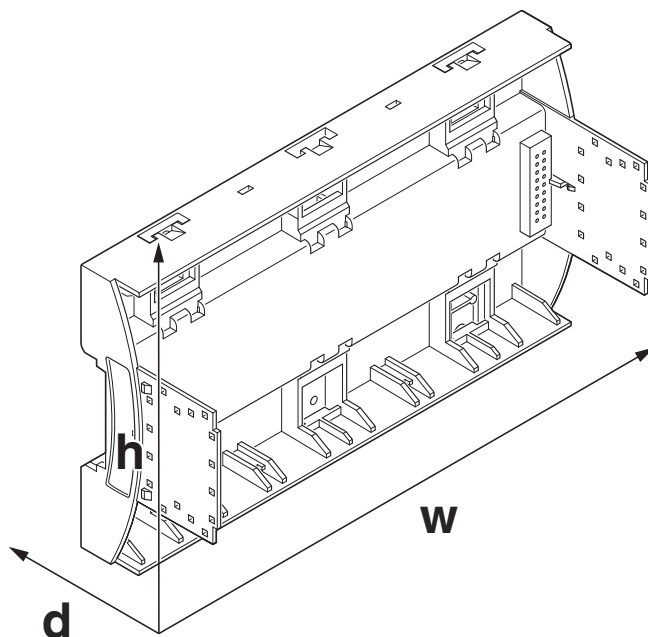
1252987

<https://www.phoenixcontact.com/pc/products/1252987>



## Drawings

Dimensional drawing



Schematic figure for illustrating the item dimensions. The figure is not of the desired product. For further details, refer to the product drawings in the "Downloads" tab.

# BC 161,6 UT HBUS WH - Mounting base housing



1252987

<https://www.phoenixcontact.com/pc/products/1252987>

## Approvals

To download certificates, visit the product detail page: <https://www.phoenixcontact.com/pc/products/1252987>



**UL Recognized**

Approval ID: E240868

# BC 161,6 UT HBUS WH - Mounting base housing



1252987

<https://www.phoenixcontact.com/pc/products/1252987>

## Classifications

### ECLASS

ECLASS-11.0	27182702
ECLASS-13.0	27190601

### ETIM

ETIM 9.0	EC002779
----------	----------

### UNSPSC

UNSPSC 21.0	31261500
-------------	----------

# BC 161,6 UT HBUS WH - Mounting base housing



1252987

<https://www.phoenixcontact.com/pc/products/1252987>

## Environmental product compliance

### EU RoHS

Fulfills EU RoHS substance requirements	Yes, No exemptions
---	--------------------

### China RoHS

Environment friendly use period (EFUP)	EFUP-E
	No hazardous substances above the limits

### EU REACH SVHC

REACH candidate substance (CAS No.)	No substance above 0.1 wt%
-------------------------------------	----------------------------

Phoenix Contact 2024 © - all rights reserved  
<https://www.phoenixcontact.com>

PHOENIX CONTACT GmbH & Co. KG  
Flachmarktstraße 8  
D-32825 Blomberg  
+49 (0) 5235-3 00  
[info@phoenixcontact.com](mailto:info@phoenixcontact.com)