

# HC-STA-B06-HLFS-1STP16-EL-AL - Housing



1412573

<https://www.phoenixcontact.com/pc/products/1412573>

Please be informed that the data shown in this PDF document is generated from our online catalog. Please find the complete data in the user documentation. Our general terms of use for downloads are valid.



Sleeve housing B6, for single locking latch, material: Die-cast aluminum, salt water resistant, cable outlets: 1, lateral, height: 52 mm, cable gland: none, Standard

## Your advantages

- Good shielding in the event of electromagnetic interference

## Commercial data

Item number	1412573
Packing unit	1 pc
Minimum order quantity	1 pc
Product key	BF7APB
Catalog page	Page 600 (C-2-2019)
GTIN	4055626059136
Weight per piece (including packing)	116.7 g
Weight per piece (excluding packing)	116.7 g
Customs tariff number	85389099
Country of origin	PL

# HC-STA-B06-HLFS-1STP16-EL-AL - Housing



1412573

<https://www.phoenixcontact.com/pc/products/1412573>

## Technical data

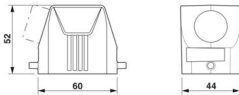
### Notes

General	For contact inserts HC-B6, BB10, DD24, M
General	also available as a powder-coated or color version: 1372649 HC-STA-B06-HLFS-1STP16-EL/...

### Product properties

Product type	Housing with locking latch
Housing type	Sleeve housing
Application	Standard
Type	B6
No. of cable outlets	1
Type	Low design
Cable outlet	lateral
Pg screw connection	none

### Dimensions

Dimensional drawing	
Width	44 mm
Height	52 mm
Length	60 mm

### Material specifications

Housing material	Die-cast aluminum, salt water resistant
Housing surface material	uncoated

### Mechanical properties

#### Mechanical data

Locking type	Pin
--------------	-----

### Environmental and real-life conditions

#### Ambient conditions

Degree of protection	IP66 IP67
Enclosure rating (NEMA)	4 (UL 50e) 4X (UL 50e) 12 (UL 50e)
Impact strength	IK08

# HC-STA-B06-HLFS-1STP16-EL-AL - Housing



1412573

<https://www.phoenixcontact.com/pc/products/1412573>

Ambient temperature (operation)

-40 °C ... 125 °C

# HC-STA-B06-HLFS-1STP16-EL-AL - Housing

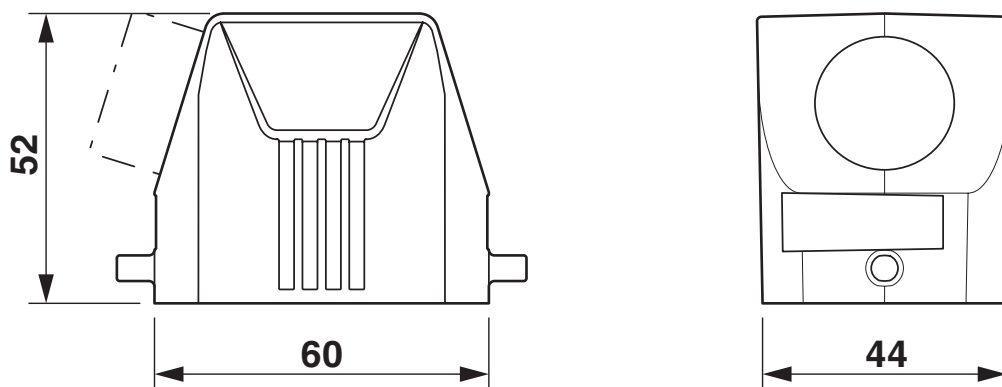
1412573

<https://www.phoenixcontact.com/pc/products/1412573>



## Drawings

Dimensional drawing




Dimensional drawing

1412573

<https://www.phoenixcontact.com/pc/products/1412573>

## Approvals

 To download certificates, visit the product detail page: <https://www.phoenixcontact.com/pc/products/1412573>

**DNV**

Approval ID: TAE000037S



**cUL Recognized**

Approval ID: E255026



**UL Recognized**

Approval ID: E255026



**EAC**

Approval ID: RU C-DE.AI30.B.01102

**cULus Recognized**

# HC-STA-B06-HLFS-1STP16-EL-AL - Housing



1412573

<https://www.phoenixcontact.com/pc/products/1412573>

## Classifications

### ECLASS

ECLASS-11.0	27440202
ECLASS-12.0	27440202
ECLASS-13.0	27440202

### ETIM

ETIM 9.0	EC000437
----------	----------

### UNSPSC

UNSPSC 21.0	31261500
-------------	----------

1412573

<https://www.phoenixcontact.com/pc/products/1412573>

## Environmental product compliance

### EU RoHS

Fulfills EU RoHS substance requirements	Yes, No exemptions
---	--------------------

### China RoHS

Environment friendly use period (EFUP)	EFUP-E
	No hazardous substances above the limits

### EU REACH SVHC

REACH candidate substance (CAS No.)	No substance above 0.1 wt%
-------------------------------------	----------------------------

### EF3.0 Climate Change

CO2e kg	2.393 kg CO2e
---------	---------------

Phoenix Contact 2024 © - all rights reserved  
<https://www.phoenixcontact.com>

PHOENIX CONTACT GmbH & Co. KG  
Flachsmarktstraße 8  
D-32825 Blomberg  
+49 (0) 5235-3 00  
[info@phoenixcontact.com](mailto:info@phoenixcontact.com)