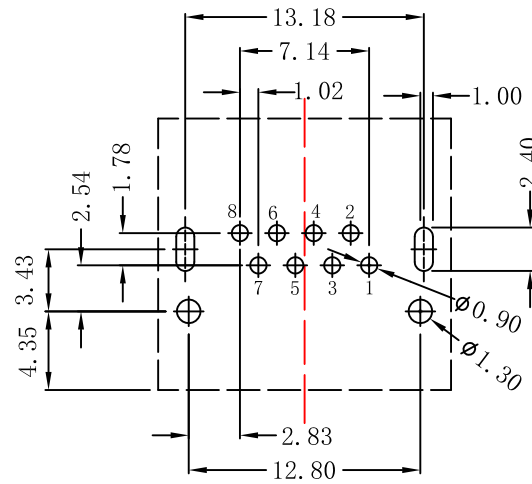
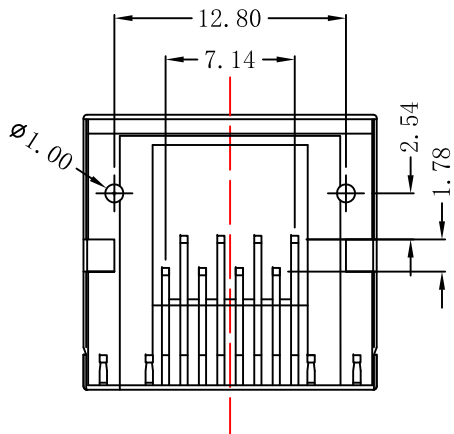
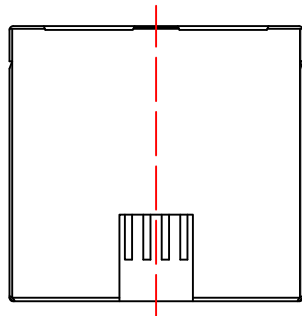
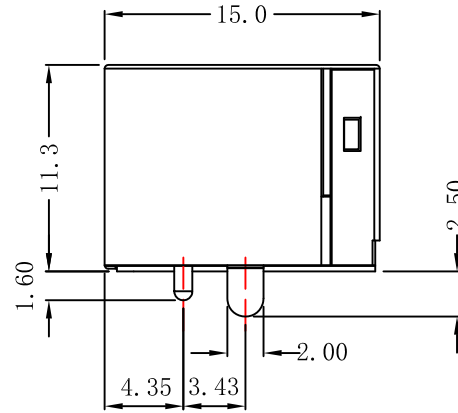
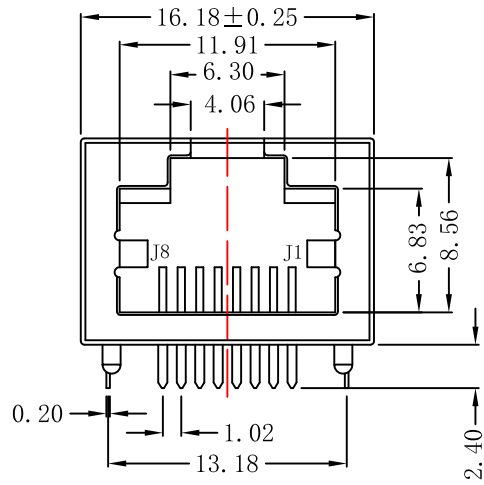


Mechanical:

REV.	ECN NO.	DESCRIPTION	DATE	APPD
A	REL		2016-04-08	



SUGGESTED PCB LAYOUT (TOP VIEW)

NOTES: MATERIAL:

- | | |
|---------------------|---|
| 1. HOUSING MATERIAL | : GLASS FILLED POLYESTER UL94V-0. |
| 2. CONTACT MATERIAL | : PHOSPHOR BRONZE $\phi 0.46\text{mm}$. |
| 3. PLATING | : GOLD PLATING OVER NICKEL. |
| 4. SHIELD | : 0.23mm THICKNESS COPPER ALLOY WITH NICKEL PLATED. |
| 5. LED | : OPTION |

ELECTRICAL:

- | | |
|---------------------------------------|-----------------------------|
| 1. VOLTAGE RATING | : 125VAC RMS. |
| 2. CURRENT RATING | : 1.5AMP. |
| 3. CONTACT RESISTANCE | : 30 MILLIOHMS MAX. |
| 4. INSULATION RESISTANCE | : 500MEGOHMS MIN @ 500V DC. |
| 5. DIELECTRIC WITHSTANDING RESISTANCE | : 1000V AC RMS 50Hz. 1MIN. |

MECHANICAL:

- | | |
|-----------------------------|-------------------|
| 1. DURRABILITY | : 750 CYCLES MIN. |
| 2. PCB RETENTION PRE-SOLDER | : 1LB MIN. |

GOLD PLATING:

- | | | | |
|----------------------|-----------------|----------------|----------------|
| Gold Flash \square | 1.5U" \square | 3U" \square | |
| 6U" \square | 15U" \square | 30U" \square | 50U" \square |

ENVIRONMENTAL:

- | | |
|--------------|-------------------|
| 1. STORAGE | : -40°C TO +85°C. |
| 2. OPERATION | : -40°C TO +85°C. |



X:X	± 0.30	APPD:	LINK-PP INT'L TECHNOLOGY CO., LIMITED	
X:XX	± 0.25	CHKD:	TITLE: RJ45 1×1 CONNECTOR - THT	
X:XXX	± 0.05	DR: TOM	PART NO.: LPJE841DNL	
ANGLES	$\pm 1^\circ$	UNIT: mm		
	SCALE: 2/1	SHEET: 1/1	REV: A	DWG: LP16040810