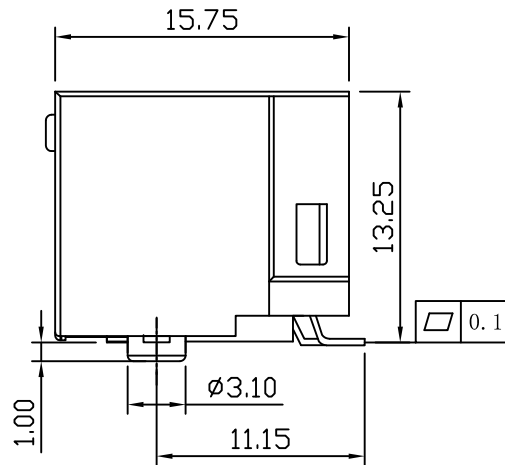
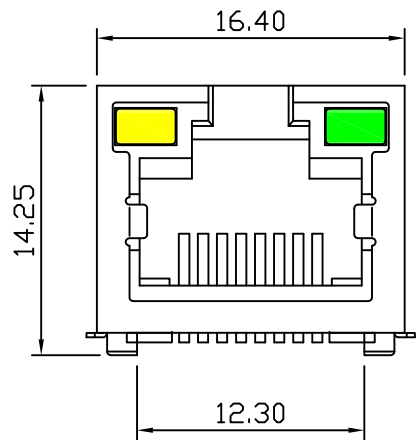


Mechanical:

REW.	ECN NO.	DESCRIPTION	DATE	APPD
A	REL		2015-07-03	



NOTES:

Electrical:

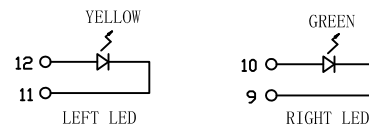
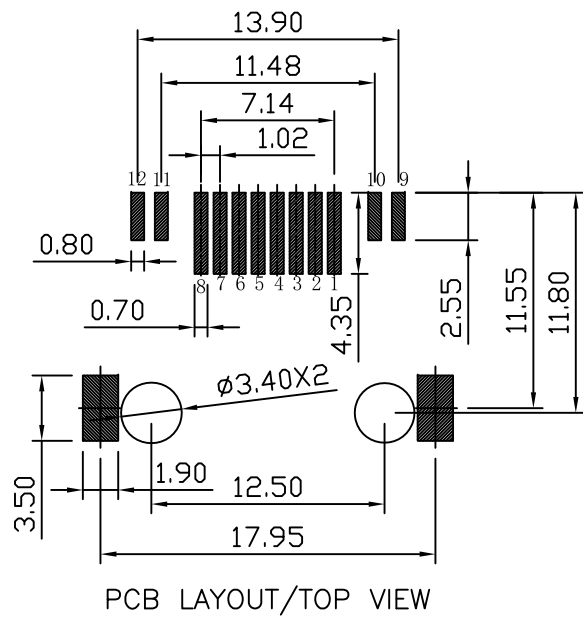
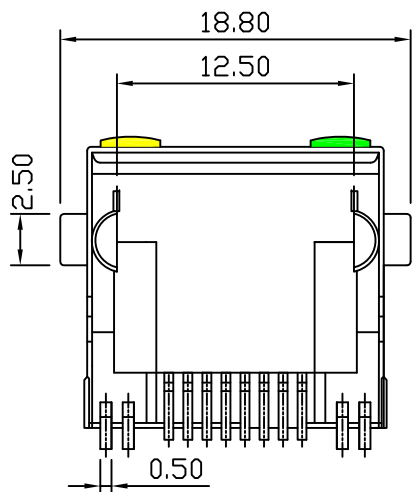
1. Voltage rating : 125 VAC RMS
2. Current Rating : 1.5 AMP
3. Contact resistance : 20 mΩ Max
4. Insulation resistance : 500 MΩ Min @500V DC
5. Dielectric strength : 1500 VAC RMS 60Hz, 1MIN.

MECHANICAL:

1. Housing & Insert Material : PBT UL94V-0.
2. Contact Material : Diameter 0.46mm Phosphor Bronze
Contact Plating : Gold 6U", In contact area.
3. Shield : 0.20-0.25mm Thickness Brass
With tin Plated
4. Operating Life : 750 Cycles Min.

ENVIRONMENTAL:

1. Storage : -40°C ~ +85°C
2. Operation : -40°C ~ +85°C.
3. Wave solder temperature : 265°C MAX, 5 Sec.
4. UL Certification : File Number E484635.



Emitting Color	λ p(nm)	VF@IF=20mA	IR @VR=5V
GREEN	565	1.8-2.4V	10 μ A max
YELLOW	585	1.8-2.4V	10 μ A max



X:X	±0.30	APPD:	LINK-PP INT'L TECHNOLOGY CO., LIMITED	
X:XX	±0.25	CHKD:	TITLE: SMT RJ45 Connector	
X:XXX	±0.05	DR: TOM	PART NO.: LPJES1013BGNL	
ANGLES	±1°	UNIT: mm	DWG NO.: LP15060923	
	SCALE: 1/1	SHEET: 1/1	REV: A	