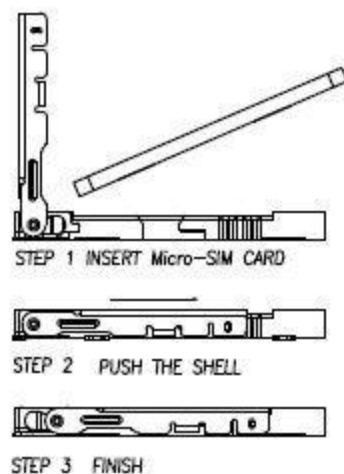
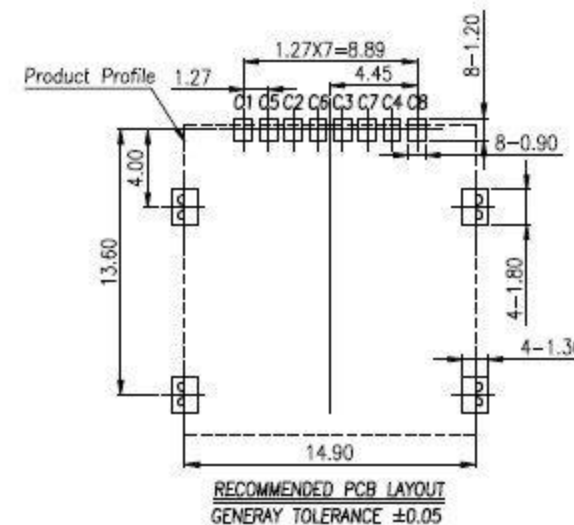
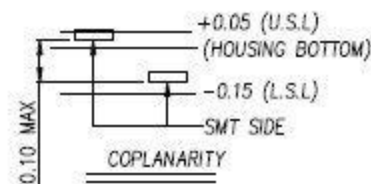
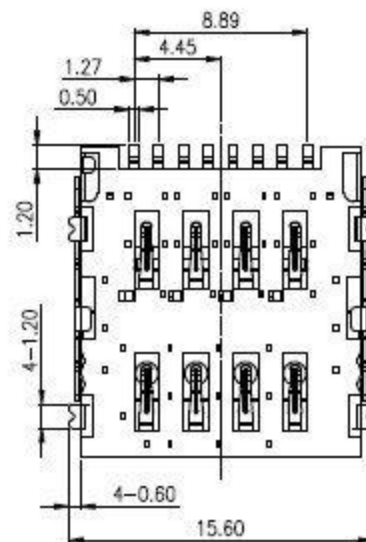
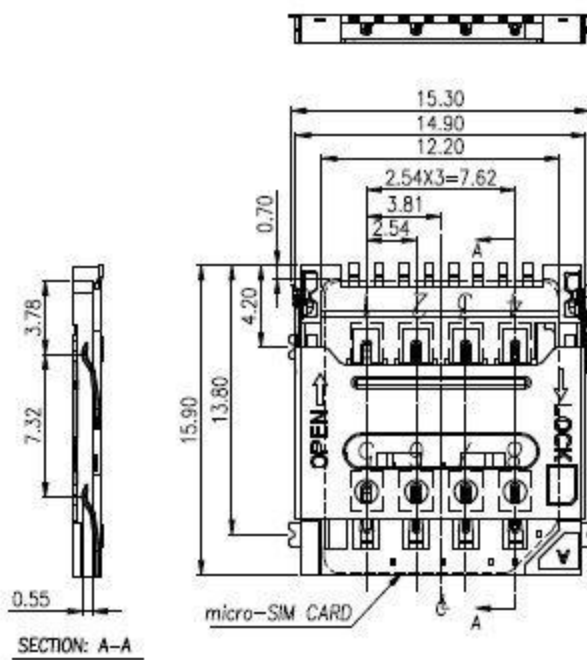


RoHS

REV.	EC#	DESCRIPTION	DATE	DRAWING	CHECKED	APPROVED
A0		NEW RELEASE	07/12'16	HUANGTAO		YZZ

NOTES:

- ELECTRICAL CHARACTERISTICS
 - CONTACT RESISTANCE: 60 Milliohms Max
 - INSULATION RESISTANCE: 1,000 Megohms Min.
 - DIELECTRIC WITHSTANDING VOLTAGE: 500V AC FOR 1 MINUTE.
- MECHANICAL CHARACTERISTICS
 - OPERATION TEMPERATURE RANGE: -25°C~+70°C
 - DURABILITY: 5000 CYCLES
- MATERIAL:
 - HOUSING: LCP UL94V-0, BLACK
 - TERMINAL: PHOSPHOR BRONZE, T=0.15
 - SHELL: STAINLESS STEEL, T=0.15
- FINISHED:
 - TERMINAL: Ni UNDERPLATED OVERALL, G/F PLATED ON CONTACT AREA AND SOLDER AREA



SIM CARD	
Pin No.	NAME
C1	VCC
C2	RST
C3	CLK
C4	RESERVED
C5	GND
C6	VPP
C7	I/O
C8	RESERVED

MILLIMETERS	INCH	UNITS	MM	CONNECTOR				
X' ± 2'	X' ± 2'	MAT'L		PART NUMBER:		TITLE:		
.X ± 0.38	.XX ± 0.012	SEE NOTES		102313382		1.5H MICRO SIM 8PIN		
.XX ± 0.25	.XXX ± 0.008	FINISH		APPD:		DWG NO.:		
.XXX ± 0.15	.XXXX ± 0.004	SEE NOTES		CHKD:		C-102313382-00		
THESE DRAWINGS AND SPECIFICATIONS ARE THE PROPERTY OF Dongguan AnLi Metal Plastic Technology Co., Ltd. COPIED OR USED IN ANY MANNER WITHOUT THE PRIOR WRITTEN CONSENT OF Dongguan AnLi Metal Plastic Technology Co., Ltd.				QTY	DR:	SCALE	SHEET	REV.
				SEE NOTES		1:1	1/2	A0