

STG-MTN 1,5-2,5 - Crimp contact



3190506

<https://www.phoenixcontact.com/pc/products/3190506>

Please be informed that the data shown in this PDF document is generated from our online catalog. Please find the complete data in the user documentation. Our general terms of use for downloads are valid.



Module socket contact, inserted in the PCC or HCC plug housing after crimping the conductor, for 1.5 mm² ... 2.5 mm² conductors

Commercial data

Item number	3190506
Packing unit	100 pc
Minimum order quantity	1 pc
Product key	AACCEG
Catalog page	Page 294 (C-1-2019)
GTIN	4017918093372
Weight per piece (including packing)	0.469 g
Weight per piece (excluding packing)	0.462 g
Customs tariff number	85366990
Country of origin	PL

STG-MTN 1,5-2,5 - Crimp contact



3190506

<https://www.phoenixcontact.com/pc/products/3190506>

Technical data

Product properties

Product type	Connector
Product family	MSTBC-MT
Pitch	0 mm

Dimensions

Dimensional drawing	
Pitch	0 mm

Material specifications

Contact surface	Tin Sn
Contact surface material	Tin
Metal surface contact area (top layer)	Tin Sn)

STG-MTN 1,5-2,5 - Crimp contact

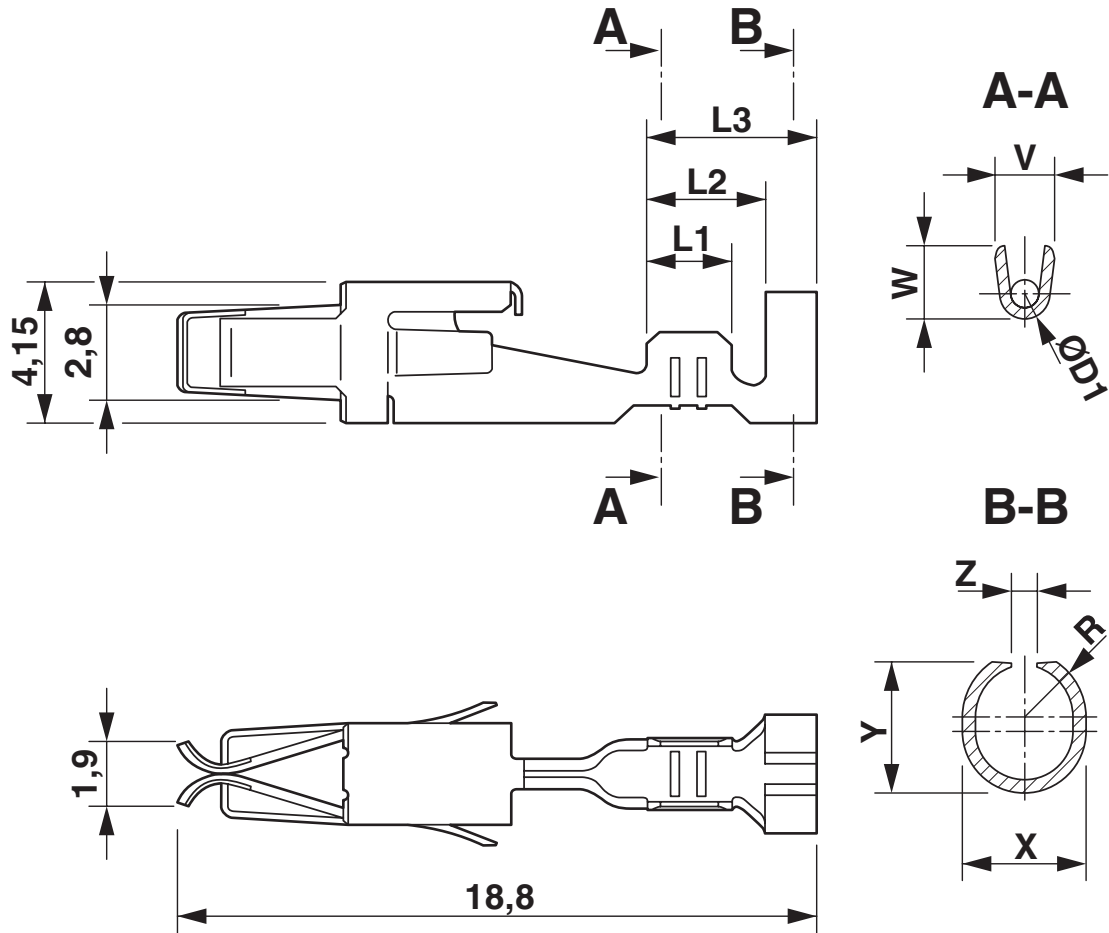
3190506

<https://www.phoenixcontact.com/pc/products/3190506>



Drawings

Dimensional drawing



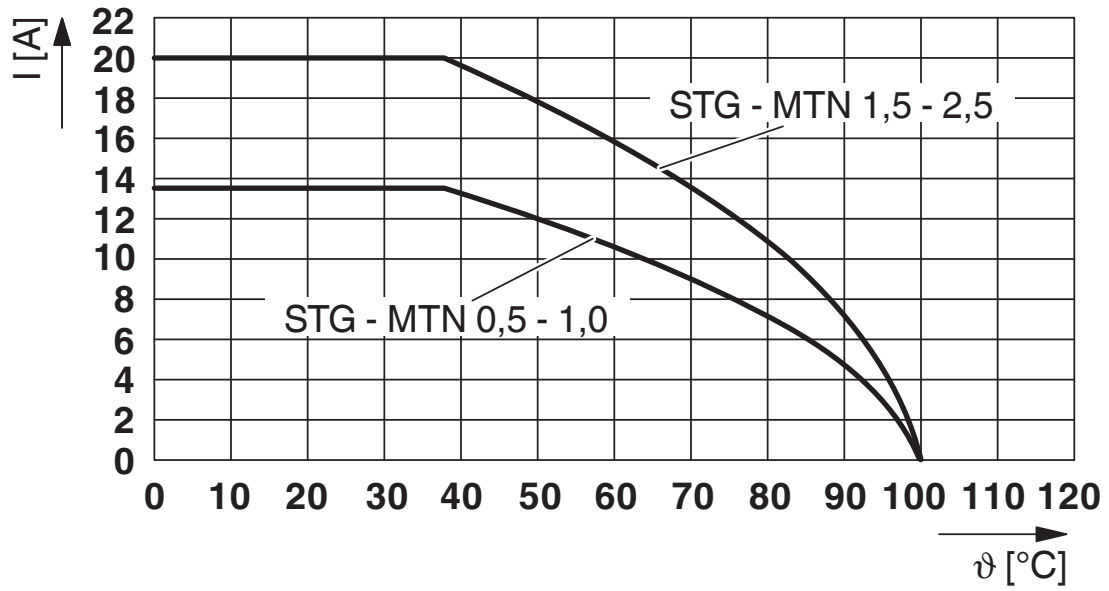
STG-MTN 1,5-2,5 - Crimp contact



3190506

<https://www.phoenixcontact.com/pc/products/3190506>

Diagram



STG-MTN 1,5-2,5 - Crimp contact



3190506

<https://www.phoenixcontact.com/pc/products/3190506>

Classifications

ECLASS

ECLASS-11.0	27469090
ECLASS-12.0	27469090
ECLASS-13.0	27469090

ETIM

ETIM 9.0	EC002943
----------	----------

UNSPSC

UNSPSC 21.0	39121400
-------------	----------

STG-MTN 1,5-2,5 - Crimp contact



3190506

<https://www.phoenixcontact.com/pc/products/3190506>

Environmental product compliance

EU RoHS

Fulfills EU RoHS substance requirements	Yes, No exemptions
---	--------------------

China RoHS

Environment friendly use period (EFUP)	EFUP-E
	No hazardous substances above the limits

EU REACH SVHC

REACH candidate substance (CAS No.)	No substance above 0.1 wt%
-------------------------------------	----------------------------

Phoenix Contact 2025 © - all rights reserved
<https://www.phoenixcontact.com>

PHOENIX CONTACT GmbH & Co. KG
Flachmarktstraße 8
D-32825 Blomberg
+49 (0) 5235-3 00
info@phoenixcontact.com