

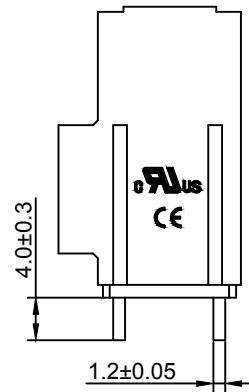
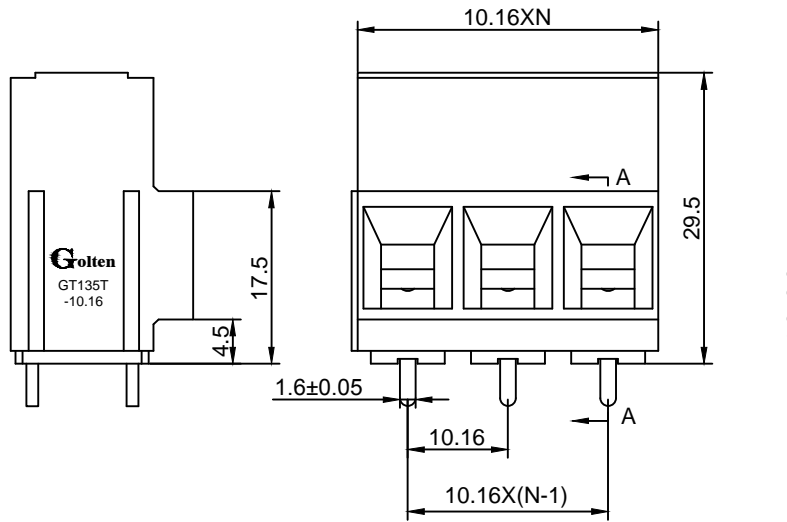
**Material :**

- (a) Housing : PA66(UL94V-0)
- (b) Screws : Steel , Cr<sup>3+</sup>Zn Plated
- (c) Cage : Brass , Ni Plated
- (d) Pin Header : Brass , Tin Plated
- (e) Cover : PA66(UL94V-0)

**Electrical :**

- |                              |                 |                   |
|------------------------------|-----------------|-------------------|
|                              | UL              | IEC               |
| 1.Rated Voltage :            | 300V            | 750V              |
| 2.Rated Current :            | 52A             | 57A               |
| 3.Torque Value :             | M4 , 10.53Lb.in | M4 , 1.2N.m       |
| 4.Wire Range:                | 20-6AWG         | 10mm <sup>2</sup> |
| 5.Stripping Length :         | 10-11mm         |                   |
| 6.Withstanding Voltage :     | AC3000V/1Min.   |                   |
| 7.Operating Temperature :    | -30°C~+120°C    |                   |
| 8.RoHS Compliance            |                 |                   |
| 9.Safety Approval :          | eULus           |                   |
| 10.Undimensioned Tolerances: |                 |                   |

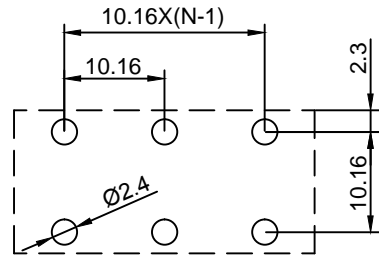
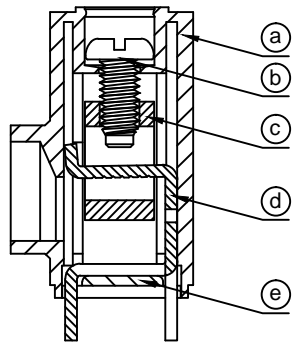
Pitch Range In mm		Nominal Dimension Range In mm					- / □	
≤6	6 ~ 10	10 ~ 24	≤30	30 ~ 60	60 ~ 100	100 ~ 150	>150	0.05/10
±0.10	±0.15	±0.25	±0.20	±0.30	±0.50	±0.70	±1.00	±0.1°



GT135T - 10.16 - XXP - X X - 00 AH

① ② ③ ④ ⑤ ⑥ ⑦

- ① Series No.
- ② Pitch
- ③ Poles  
02 02Contacts  
03 03Contacts  
...  
24 24Contacts
- ④ 1 Single Pitch  
2 Double Pitch
- ⑤ Color: 1 Grey  
2 Blue  
3 Black  
4 Green(Standard For AH)  
5 Orange  
6 Red  
7 Transparent  
8 Yellow  
9 White
- ⑥ Customer Request : 00--Standard
- ⑦ AH--Standard(PA66)



DETACHED LISTS	<b>Grolten</b> 宁波冠泰电子有限公司 NINGBO GOLTEN ELECTRONICS CO., LTD.							
	APPD: MA_8/13/16'	PART NO. GT135T-10.16-XXP-XX-00AH						
	CHKD: Yu_8/12/16'							
	DRFT: Chen_8/11/16'							
 THIRD ANGLE PROJECTION		<table border="1"> <tr> <td>REV</td> <td>1</td> </tr> <tr> <td>SHEET</td> <td>1/1</td> </tr> <tr> <td>SCALE</td> <td>1/1</td> </tr> </table>	REV	1	SHEET	1/1	SCALE	1/1
REV	1							
SHEET	1/1							
SCALE	1/1							
 MM (INCH) DO NOT SCALE DRAWING								